

YAMARIN **CROSS**

Yamarin Cross 75 Bow Rider

Käyttäjän käsikirja

Användarhandbok

Owner's manual

YAMARIN **CROSS**

Yamarin Cross 75 Bow Rider

Owner's manual

FOREWORD

Congratulations on choosing a Yamarin Cross boat!

This manual will familiarise you with the features of your new vessel and help with its care and maintenance. It has been written to help you learn to handle your craft safely and avoid any problems. Make sure that you have received manuals for all equipment fitted on your boat. Supplement this manual with the specifications and manuals of equipment you purchase later for your boat. Space has been left for your own notes at the end of the manual. Please read this manual carefully and familiarise yourself with the craft before using it.

If this is your first craft, or you are changing to a type of craft you are not familiar with, please ensure that you obtain sufficient handling and operating experience before assuming command of the craft. This is highly important for your own comfort and safety. Your dealer or national sailing association or yacht club will be happy to advise you of local boating schools or competent instructors.

This owner's manual is not a detailed maintenance or troubleshooting guide. In case of difficulty please contact the dealer. Always use qualified and competent people for the maintenance, repair and modification of the boat. Modifications that may affect the safety characteristics of the craft must be assessed, executed and documented by competent people. The manufacturer is not responsible for modifications they have not approved.

Always keep your boat in a good condition and be aware that the boat requires maintenance and servicing. Any craft, no matter how strong it may be, can be severely damaged if not used properly. Always adjust the speed and direction of the craft to prevailing weather conditions.

We wish you enjoyable and relaxing times on board your Yamarin Cross boat!

Inhan Tehtaat, Inha Works
Hahdenniementie 2
FI-21120 Raisio
Finland

www.cross.boats

Please keep this manual in a secure place, and hand it over to the new owner if you sell the craft.

Contents	
BEFORE YOU SET OFF	6
General	7
Declaration of conformity	8
Definitions	10
Warranty	10
Before use	11
Registration	11
Insurance	11
Training	11
Characteristics and use of your boat	12
General	12
Basic information	12
Maximum recommended number of passengers:	14
Loading	15
Engine and propeller	15
Prevention of water incursion and stability	16
Hull and deck through fittings and closing valves	16
Stability and buoyancy	17
Preventing fires and explosion hazards	18
Refuelling	18
Fire protection	18
Operation	20
Controls	20
Emergency switch	20
Gearshift and throttle	20
Adjusting the trim angle	21
Starting the engine	21
Driving	21
Approaching and leaving the dock	22
Using the canopy	23
Doors between the windscreen and the control consoles	23
Proper use – other recommendations and guidelines	23
Man overboard	23
Securing loose equipment	24
Respect for the environment	24
Anchoring and mooring the boat	24
Towing	25
Trailer transport	25
Docking	26
Servicing and maintenance	27
Washing and waxing the boat	27
Care instructions for seat cushions	28
Care instructions for the canopy	29
Care instructions for the windscreen	29
Care instructions for the stainless steel components	29
Care instructions for the remote control	29
Care instructions for the steering system	29
Care instructions for electrical components	29
Minor superficial repairs	29
Winter storage	30
Measures before winter storage	30
Measures before launching the boat	31
Lay-out	31
General lay-out	31
Fuel system	33
Steering system	33
Electrical system	33
Wiring diagram	35

1. BEFORE YOU SET OFF

Familiarise yourself with this owner's manual.

Always check at least the following before leaving:

Weather conditions and forecast

Take the wind, waves and visibility into account. Are the design category, size and equipment of your boat, as well as the skills of the skipper and crew, adequate for the waters you are headed for? Hull windows and hatches must be battened down during high wind and rough seas to prevent water incursion.

Loading and stability

Do not overload the craft, and distribute loads appropriately. Heavy items are to be placed in the storage compartments under the aft seat. Also note that the boat is less stable if people stand up when on board.

Passengers

Ensure that there are personal flotation devices or lifejackets for all people on board. Agree on crew tasks before setting off.

Fuel and fuel system

Make sure that the boat has enough fuel, including a 20% reserve for heavy weather or other unforeseen eventualities.

Engine and manoeuvring equipment

Check the function and condition of steering and remote control, and carry out routine checks according to the engine manual.

Seaworthiness of the boat

Check the boat's seaworthiness: no fuel or water leaks, safety equipment available on board, etc. Check that there is no water in the bilge.

Equipment stowage

Check that all onboard items are positioned so that they will stay in place even in rough seas and high winds. Please note that the seat cushions may fly overboard if they are not fixed properly with press studs.

Nautical charts

Unless you are navigating in completely familiar waters, ensure you have nautical charts on board that cover a large enough area! If your boat is equipped with a chart plotter, learn to use it before setting off. Ensure that the plotter charts are of the latest edition.

Leaving the berth

Agree with the crew who will release each mooring line, etc. Be careful not to let mooring lines or the anchoring line become fouled in the propeller during manoeuvring.

Obligatory equipment

What is considered obligatory equipment varies between different countries. Find out what is required for your boat.

You will find additional instructions concerning the engine in the separate engine manual.

2. General

The owner's manual will help you familiarise yourself with the properties and features of your new boat and with its care and maintenance. Separate manuals for installed equipment are attached and are referred to in many sections of the owner's manual. You can supplement this owner's manual by adding the manuals of devices that are installed afterwards. There is also space for your own notes at the end of the manual.

The craft has a running serial number, a CIN code (Craft Identification Number). The CIN code can be found on the starboard side of the transom just below the bathing platform. We recommend that you write down the CIN code in the declaration of conformity in this book. When contacting the dealer, please provide the CIN code and the type of craft. This helps in delivering the correct spare parts.

2.1. Declaration of conformity

Multi-language template compiled by IMCI



English version approved by RCD ADCO on June 8th, 2016

EU Declaration of Conformity of Recreational Craft with the Design, Construction and Noise Emission requirements of Directive 2013/53/EU

(To be completed by manufacturer or if mandated, authorised representative)

Name of recreational craft manufacturer: Inhan Tehtaat Oy Ab, Inha Works Ltd.
 Address: Hahdenniementie 2
 Town: Raisio Post Code: 21120 Country: Finland

Name of authorised representative (if applicable): _____
 Address: _____
 Town: _____ Post Code: _____ Country: _____

Module used for design and construction assessment: A A1 B+C B+D B+E B+F G H
 Name of Notified Body for design and construction assessment (if applicable): DNV GL SE
 Address: Brooktorkai 18
 Town: Hamburg Post Code: 20416 Country: Germany ID Number: 0098
 Notified Body certificate¹ number (if applicable): RCDB00000B9 Date: _____

Module used for noise emission assessment (if applicable): A A1 G H
 Name of Notified Body for noise emission assessment (if applicable): _____
 Address: _____
 Town: _____ Post Code: _____ Country: _____ ID Number: _____
 Notified Body certificate¹ number (if applicable): _____ Date: _____

Other Community Directives applied: _____

DESCRIPTION OF RECREATIONAL CRAFT:

Watercraft Identification Number: FI-YAM46

Brand name of the Recreational Craft: Cross Model or Type: 75 Bow Rider

Type of construction:
 Rigid Inflatable Rigid-Inflatable (RIB)

Type of hull:
 Monohull Multihull

Hull construction material:
 Aluminium, aluminium alloys Moulded Fibre Reinforced Plastic
 Steel, steel alloys Wood
 Other (specify): _____

Recreational Craft Design category(-ies) related to the maximum recommended number of persons:

Category	Number of Persons	Max Load [kg]
A		
B		
C	9	1315
D		

Length of hull L_{II} 6,12 m
 Beam of hull B_{II} 2,26 m
 Maximum Draught T: 0,31 m

Deck:
 Fully enclosed
 Partially protected
 Open

Craft main propulsion:
 Sail, projected sail area A_s: _____ m²
 Human propulsion
 Engine/motor propulsion
 Other (specify): _____

Installed engine type (if applicable):
 Internal combustion, Diesel (CI)
 Internal combustion, Petrol (SI)
 Internal combustion, LPG/CNG
 Electric
 Other (specify): _____

Installed propulsion type (if applicable):
 Outboard
 Inboard with shaft line
 Z or Stern drive
 Pod-drive
 Sail-drive
 Other (specify): _____

Integral exhaust propulsion (if applicable): Yes No
 Maximum Recommended engine power: 224 kW
 Installed engine power: _____ kW
 Number of propulsion engines: 1 #
 Maximum recommended engine mass²: 313 kg

This declaration of conformity is issued under the sole responsibility of the manufacturer. I declare on behalf of the manufacturer that the recreational craft mentioned above fulfils the requirements specified in Article 4 (1) and Annex I of Directive 2013/53/EU.

Name and function: Juha Lehtola, CEO
 (identification of the person empowered to sign on behalf of the manufacturer or his authorised representative)

Signature and title: _____
 (or an equivalent marking)

Date and place of issue (dd/mm/yyyy): 13.11.2020

¹ The document may have a different name according to each module (A1: Stability and buoyancy report, B: EC type examination certificate, G: Certificate of conformity, etc.)

² For outboard powered boats only

Essential requirements (reference to relevant articles in Annex IA & IC of the Directive)	Harmonised standards Full Application	Harmonised standards Partial application, see tech. file	Other reference documents ³ Full Application	Other reference documents Partial Application, see tech. file	Other proof of conformity See technical file	Specify the harmonised ⁴ standards or other reference documents used (with year of publication like "EN ISO 8666:2002")
General requirements (2)						
Principal data – main dimensions	<input checked="" type="checkbox"/>					ISO 8666:2002
Watercraft Identification Number – WIN (2.1)	<input checked="" type="checkbox"/>					EN ISO 10087:2006
Watercraft Builder's Plate (2.2)	<input checked="" type="checkbox"/>	<input type="checkbox"/>	<input type="checkbox"/>	<input type="checkbox"/>	<input type="checkbox"/>	2013/53/EU1A-2.2
Protection from falling overboard and means of reboarding (2.3)	<input checked="" type="checkbox"/>	<input type="checkbox"/>	<input type="checkbox"/>	<input type="checkbox"/>	<input type="checkbox"/>	EN ISO 15085:2003+A2:2018
Visibility from the main steering position (2.4)	<input checked="" type="checkbox"/>	<input type="checkbox"/>	<input type="checkbox"/>	<input type="checkbox"/>	<input type="checkbox"/>	EN ISO 11591: 2016
Owner's manual (2.5)	<input checked="" type="checkbox"/>	<input type="checkbox"/>	<input type="checkbox"/>	<input type="checkbox"/>	<input type="checkbox"/>	EN ISO 10240:2004 + A1 2015
Integrity and structural requirements (3)						
Structure (3.1)	<input checked="" type="checkbox"/>	<input type="checkbox"/>	<input type="checkbox"/>	<input type="checkbox"/>	<input type="checkbox"/>	EN ISO 12215-3:2018, EN ISO 12215-4:2018, EN ISO 12215-5:2018, EN
Stability and freeboard (3.2)	<input checked="" type="checkbox"/>	<input type="checkbox"/>	<input type="checkbox"/>	<input type="checkbox"/>	<input type="checkbox"/>	EN ISO 12217-1:2017, EN ISO 12217-3:2017
Buoyancy and flotation (3.3)	<input checked="" type="checkbox"/>	<input type="checkbox"/>	<input type="checkbox"/>	<input type="checkbox"/>	<input type="checkbox"/>	EN ISO 12217-1:2017, EN ISO 12217-3:2017
Openings in hull, deck and superstructure (3.4)	<input checked="" type="checkbox"/>	<input type="checkbox"/>	<input type="checkbox"/>	<input type="checkbox"/>	<input type="checkbox"/>	EN ISO 9093-1:2018, EN ISO 12216:2018
Flooding (3.5)	<input checked="" type="checkbox"/>	<input type="checkbox"/>	<input type="checkbox"/>	<input type="checkbox"/>	<input type="checkbox"/>	EN ISO 11812:2018, EN ISO 15083:2003/A2:2018
Manufacturer's maximum recommended load (3.6)	<input checked="" type="checkbox"/>	<input type="checkbox"/>	<input type="checkbox"/>	<input type="checkbox"/>	<input type="checkbox"/>	EN ISO 14946:2001/AC:2005
Liferaft stowage (3.7)	<input checked="" type="checkbox"/>	<input type="checkbox"/>	<input type="checkbox"/>	<input type="checkbox"/>	<input type="checkbox"/>	RCD Annex I 3.7
Escape (3.8)	<input type="checkbox"/>	<input type="checkbox"/>	<input type="checkbox"/>	<input type="checkbox"/>	<input type="checkbox"/>	
Anchoring, mooring and towing (3.9)	<input type="checkbox"/>	<input type="checkbox"/>	<input type="checkbox"/>	<input type="checkbox"/>	<input type="checkbox"/>	EN ISO 11812:2018
Handling characteristics (4)	<input checked="" type="checkbox"/>	<input type="checkbox"/>	<input type="checkbox"/>	<input type="checkbox"/>	<input type="checkbox"/>	EN ISO 11592-1:2016, RCD Annex I 4
Engines and engine spaces (5.1)						
Inboard engine (5.1.1)	<input type="checkbox"/>	<input type="checkbox"/>	<input type="checkbox"/>	<input type="checkbox"/>	<input type="checkbox"/>	
Ventilation (5.1.2)	<input type="checkbox"/>	<input type="checkbox"/>	<input type="checkbox"/>	<input type="checkbox"/>	<input type="checkbox"/>	
Exposed parts (5.1.3)	<input type="checkbox"/>	<input type="checkbox"/>	<input type="checkbox"/>	<input type="checkbox"/>	<input type="checkbox"/>	
Outboard engine starting (5.1.4)	<input type="checkbox"/>	<input type="checkbox"/>	<input type="checkbox"/>	<input type="checkbox"/>	<input type="checkbox"/>	
Fuel system (5.2)						
General – fuel system (5.2.1)	<input checked="" type="checkbox"/>	<input type="checkbox"/>	<input type="checkbox"/>	<input type="checkbox"/>	<input type="checkbox"/>	EN ISO 8469: 2018, EN ISO 10088:2017
Fuel tanks (5.2.2)	<input checked="" type="checkbox"/>	<input type="checkbox"/>	<input type="checkbox"/>	<input type="checkbox"/>	<input type="checkbox"/>	EN ISO 21487:2018
Electrical systems (5.3)	<input checked="" type="checkbox"/>	<input type="checkbox"/>	<input type="checkbox"/>	<input type="checkbox"/>	<input type="checkbox"/>	EN ISO 8849:2018, EN ISO 10133:2017
Steering systems (5.4)						
General – steering system (5.4.1)	<input checked="" type="checkbox"/>	<input type="checkbox"/>	<input type="checkbox"/>	<input type="checkbox"/>	<input type="checkbox"/>	EN ISO 10592:2017, EN ISO 25197:2018, EN ISO 8848:2017
Emergency arrangements (5.4.2)	<input type="checkbox"/>	<input type="checkbox"/>	<input type="checkbox"/>	<input type="checkbox"/>	<input type="checkbox"/>	
Gas systems (5.5)	<input type="checkbox"/>	<input type="checkbox"/>	<input type="checkbox"/>	<input type="checkbox"/>	<input type="checkbox"/>	
Fire protection (5.6)						
General – fire protection (5.6.1)	<input checked="" type="checkbox"/>	<input type="checkbox"/>	<input type="checkbox"/>	<input type="checkbox"/>	<input type="checkbox"/>	EN ISO 9094:2017
Fire-fighting equipment (5.6.2)	<input checked="" type="checkbox"/>	<input type="checkbox"/>	<input type="checkbox"/>	<input type="checkbox"/>	<input type="checkbox"/>	EN ISO 9094:2017
Navigation lights, shapes and sound signals (5.7)	<input checked="" type="checkbox"/>	<input type="checkbox"/>	<input type="checkbox"/>	<input type="checkbox"/>	<input type="checkbox"/>	EN ISO 16180:2018, 1972 COLREG
Discharge prevention (5.8)	<input type="checkbox"/>	<input type="checkbox"/>	<input type="checkbox"/>	<input type="checkbox"/>	<input type="checkbox"/>	
Annex I.B – Exhaust Emissions⁵						
Annex I.C – Noise Emissions⁶						
Noise emissions level (I.C.1)	<input type="checkbox"/>	<input type="checkbox"/>	<input type="checkbox"/>	<input type="checkbox"/>	<input type="checkbox"/>	
Owner's manual (I.C.2)	<input type="checkbox"/>	<input type="checkbox"/>	<input type="checkbox"/>	<input type="checkbox"/>	<input type="checkbox"/>	

³ Such as non-harmonised standards, rules, regulations, guidelines, etc.

⁴ Standards published in EU Official Journal

⁵ See Declaration of Conformity of engine manufacturer

⁶ Only to be completed for boats with inboard engines or sterndrive engines without integral exhaust

3. Definitions

The warnings and cautions in this manual are defined as follows:

- DANGER!*** Denotes an extreme hazard that will result in a high probability of death or permanent injury if proper precautions are not taken.
- WARNING!*** Denotes a hazard that can result in injury or death if proper precautions are not taken.
- NOTE!*** Denotes a reminder of safe practices or directs attention to unsafe practices which could result in personal injury or damage to the craft or components or the environment.

SI system units are used in this manual. In some cases, other units have been added in brackets. An exception is wind speed, for which the Beaufort scale is used in the Recreational Craft Directive.

4. Warranty

The boat and its factory-installed equipment have a two-year warranty, starting on the first day of use. Please contact your dealer regarding any potential warranty issues. Please remember to provide the CIN code. If possible, please provide a digital photograph of the subject of your claim. This usually speeds up the claims process.

5. Before use

5.1. Registration

Registration regulations vary between different countries. Find out what is required in relation to your own boat.

5.2. Insurance

Boat insurance can compensate damage occurring on water or during transport and lifting. Check who has insurance liability each time when having the boat lifted. Insurance also has an indirect effect on safety at sea: In the event of a serious accident or damage, you must, above all, concentrate on saving people. Insurance companies will be able to give more information about different insurance alternatives. Check who has insurance liability each time when having the boat lifted or transported!

5.3. Training

No one is a born sailor. There is plenty of boating literature available. Navigation courses are arranged by local yacht clubs or national boating associations where you can gain basic skills.

However, please remember that you only become confident in boat handling, navigation, docking and anchoring after long practical experience.

6. Characteristics and use of your boat

6.1. General

This user manual is not intended to be a complete service or repair manual; it simply guides the user on how to use the boat in the proper manner.

Pictures and drawings of this manual might include optional or country-specific features.

6.2. Basic information

Recreational crafts can be constructed according to 4 categories (A, B, C and D) under the Recreational Craft Directive 2013/53/EU. This boat has been constructed according to design category C, which means the following:

The boat is built for conditions where the wind reaches a maximum of 6 Beaufort (approximately 14 m/s) and for corresponding sea conditions (significant wave height no more than 2 m). Such conditions may be encountered on exposed inland waters, in estuaries, and in coastal waters in moderate weather conditions.

Significant wave height is the mean height of the highest third of the waves, which approximately corresponds to the wave height as estimated by an experienced observer. Individual waves may reach up to twice this height. If the significant wave height is 2.0 m, the mean height of all waves is roughly 1.2 m.

Maximum recommended load: See *technical specifications*

See also section 5.4 'Loading'.

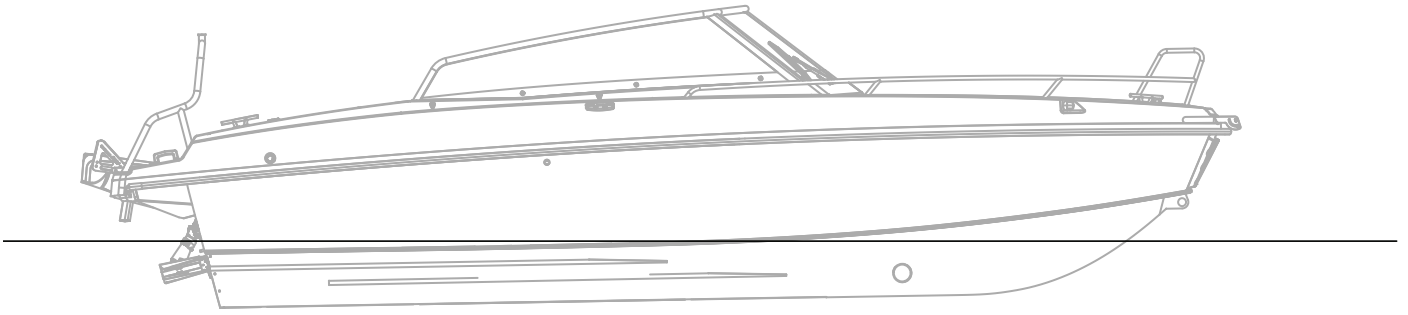
Main dimensions and capacities: See *technical specifications*

Craft length, width, draught, total weight, etc., and tank capacities are shown in the technical specifications.

Builder's plate:

Part of the aforementioned information is given on the builder's plate, which is affixed next to the remote control. Supplementary information is provided in the appropriate sections of this manual.

Model	YAMARIN Cross 75 Bow Rider
Design category	C
Length overall, LoA	7,37
Beam	2,47
Weight without engine	1330kg
Max load	9 persons / 1002kg
Max load on builder's plate (persons + load)	persons + load 1002kg, engine 313kg
Max engine power	300hp / 224kW
Max engine weight	313kg
Fuel tank, volume	300 L
Max speed	48 Knots



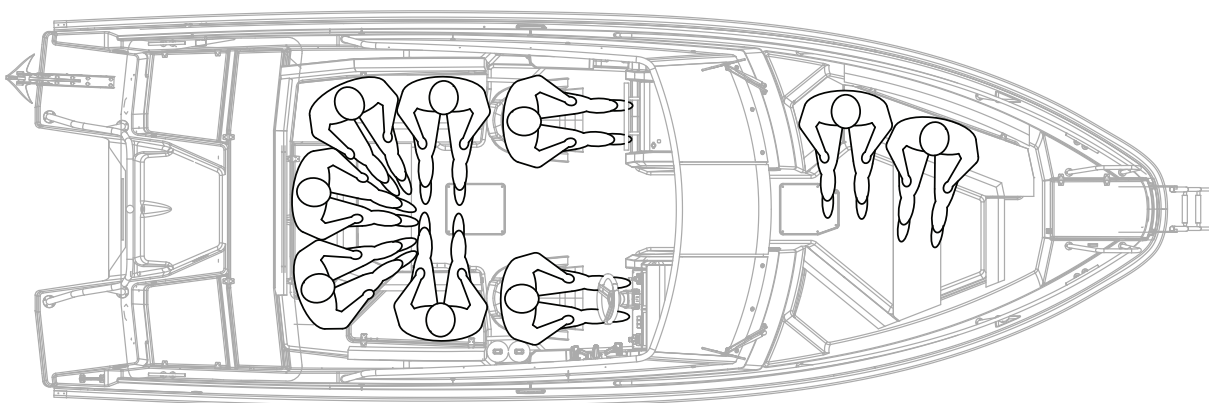
Water line:	
- at stern (A)	160 mm up from chine
- at bow (B)	500 mm down from chine along the bow

NOTE! Water line dimensions represent the upper limit for antifouling paint, not the actual waterline.

6.3. Maximum recommended number of passengers:

The maximum recommended number of passengers on board this boat is 9 persons.

WARNING! Do not exceed the maximum recommended number of passengers. Regardless of the number of passengers, the total weight of people and equipment must never exceed the maximum recommended load (please refer to 'Loading'). All passengers must remain seated during travel.



Seats on the boat.

NOTE! If you load the boat from stern to bow, you will have better fuel economy.

6.4. Loading

The boat's maximum permitted load is 1227 kg. This load includes the following weights:

- a) the total weight of passengers, 675 kg (the weight of an adult is assumed to be 75 kg and that of a child 37.5 kg)
- b) and fluids (fuel) in fixed tanks, 225 kg.
- c) Basic equipments 24kg
- d) Life raft 50kg
- e) Cargo 253

NOTE! The maximum permitted load only includes the weights mentioned above.

WARNING! **When loading the craft, never exceed the maximum recommended load.** Always load the craft carefully and distribute loads appropriately so that the boat is on an even keel. Heavy equipment should usually be placed in the storage compartment under the aft seat. Always avoid placing heavy items high up.

6.5. Engine and propeller

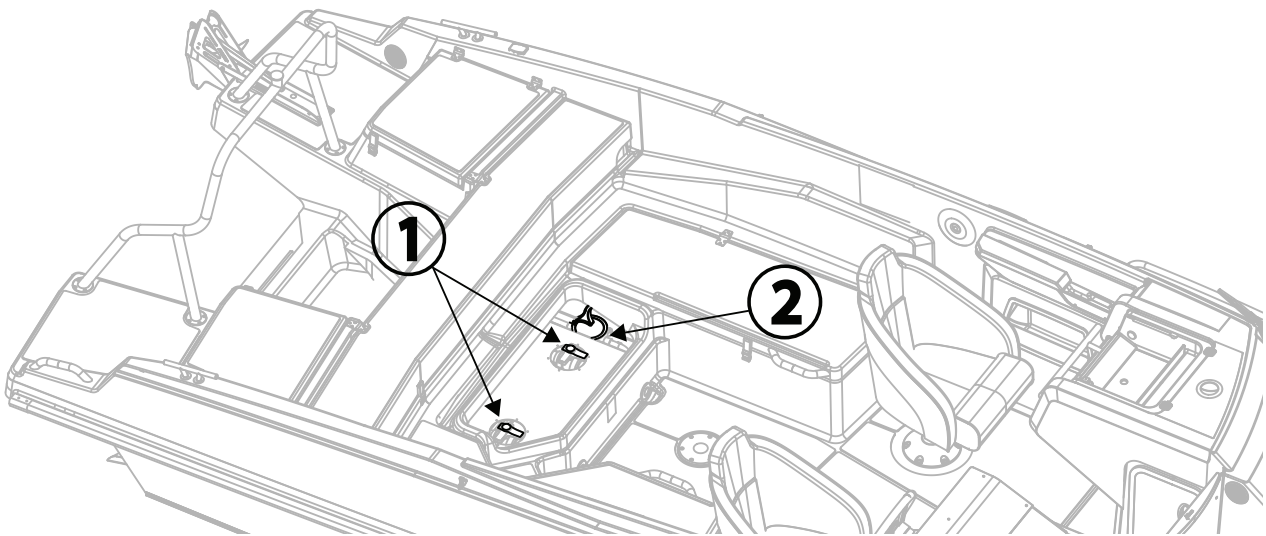
The maximum recommended engine power for the boat is 300 hp (223 kW). The construction of the boat is not designed to bear more power than 300 HP. Manoeuvring the boat can be very dangerous if the boat has an engine more powerful than 300 HP. The warranty is void if the boat is used with more power than 300 HP. Follow the dealer's instructions when choosing the propeller for your craft.

7. Prevention of water incursion and stability

7.1. Hull and deck through fittings and closing valves

The boat has a rainwater draining system, which means that rainwater is drained from the undecked part of the boat when the boat is on the water. The system also functions when the boat is out of water, provided that the bow is higher than the stern and closing valve is open.

The rainwater drainage valve is located underneath the maintenance hatch located in the floor of the aft seat storage space. This drain valve is meant to be shut only when at maximum load to prevent potential water incursion. **In other loading conditions, the drain valve should remain open to let rainwater drain from the boat.**



1. Rainwater drainage valve

2. Hand bilge pump

The boat has a hand-operated bilge pump shown in the picture below. The hand-operated bilge pump has a capacity of about 0.7 l per pull.

The boat is equipped with an electric bilge pump.

The switch of the bilge pump is dual-action:

- Automatic action
- Manual action

When the bilge pump is running, the switch is lit.

The owner of the boat is responsible for ensuring that there is at least one bailer or bucket on the boat and that it has been secured.

WARNING!

Always keep the drainpipe shut when its inboard end is constantly below the waterline due to loading. The shut-off flap on the transom only prevents water from entering the boat when reversing!

NOTE!

Make sure that water can flow unobstructed through the drainpipe. Debris such as autumn leaves may obstruct the water flow, which can cause the boat to fill

with water and sink. The bilge pump system does not work in conditions below 0°C.

NOTE!

There is always some condensed water in the bilge. The hull bushings may also allow water to seep through, particularly as the boat ages. Always remember to check the bilge, via the inspection hatch under the aft seat, before you leave the boat at quay or buoy and always before setting off. You can empty out any water through this inspection hatch using a separate tubular drainage pump (optional accessory). Have any leaks repaired at an authorised repair shop.

WARNING!

The boat's handling properties may become extremely dangerous if there is water in the bilge.

WARNING!

In rough weather, hatches and drawers should be kept shut to prevent them from filling with water.

7.2. Stability and buoyancy

Please note that stability is reduced by any weight added high up. Any change in the distribution of weight on board may significantly affect the stability, trim and performance of your craft. Please remember that large breaking waves always present a serious danger to stability.

- The amount of water in the bilge must be kept as low as possible.
- The boat's stability may be impaired during towing, or when passengers are lifting heavy items.
- This craft will carry its passengers even when filled with water.

8. Preventing fires and explosion hazards

8.1. Refuelling

Shut off the engine and extinguish any cigarettes before starting to refuel. During refuelling, do not use switches or appliances that can cause a spark.

Always keep a spare can of fuel on board. The anchor boxes at the stern are especially suitable for storing the spare canister. There is no risk of vaporised fuel coming into contact with battery compartments or the electrical system from either of these boxes.

Do not stow any loose items under the aft seat that could prevent fuel flow to the engine if they shift. This is particularly important for items that may press against hoses or the fuel filter. Check the fuel hoses annually for wear, especially at through fittings.

Please note that depending on the trim of the boat or the boat's heeling angle, it might not be possible to use the full capacity of the fuel tank.

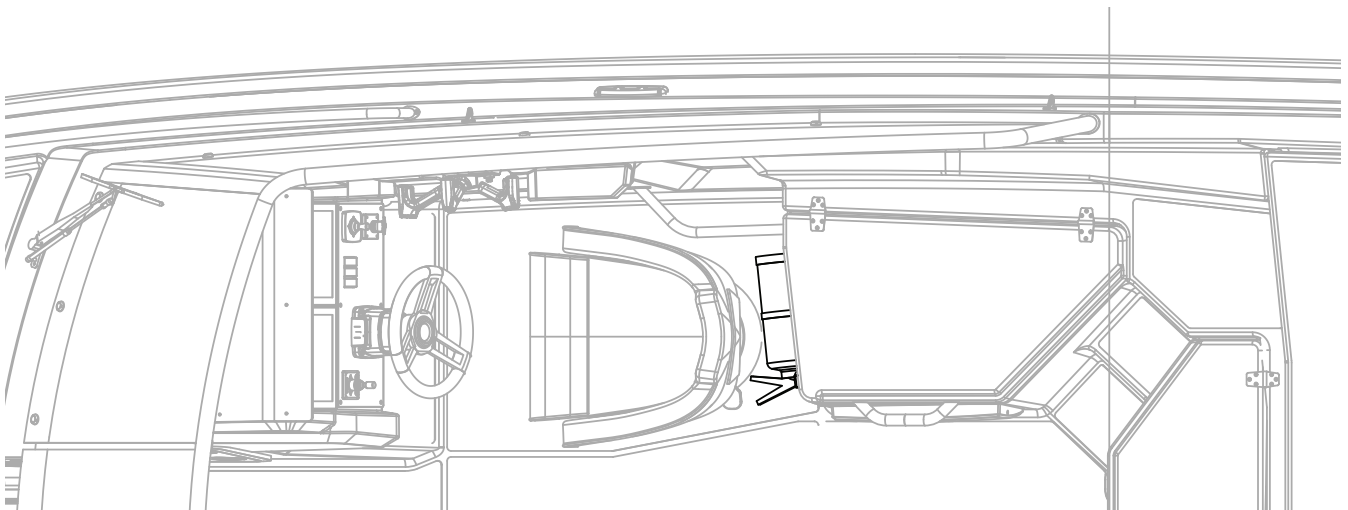
WARNING!

Vaporised fuel is highly explosive. Observe strict caution and these instructions when refuelling. If you can smell fuel, that always means that there is vaporised fuel somewhere on your boat.

8.2. Fire protection

The boat is equipped with a portable 2 kg fire extinguisher of class 8A 68 B, which is the minimum requirement for extinguishers. The extinguisher is located in the storage compartment on the front of the co-driver's console. The boat must always have an approved and inspected extinguisher during use. The fire extinguisher must be inspected annually by an authorised inspector to ensure its functioning. In the event that the fire extinguisher is replaced, the capacity of the new one must be at least equivalent to the old.

Image: Location of the fire extinguisher.



Ensure that fire-fighting equipment is readily accessible even when the boat is loaded. Inform members of the crew about the location and operation of fire-fighting equipment.

Remember:

- Never hinder access to safety equipment, for instance the switches to the electric system.
- Never hinder access to fire extinguishers located in a box.
- Never make alterations to any of the boat's systems (especially the electricity or the fuel systems) or allow an unqualified person to make alterations to any of the boat's systems.

- Never smoke while handling fuel or gas.

NOTE! Always keep the bilge clean and regularly check for any fuel leaks.

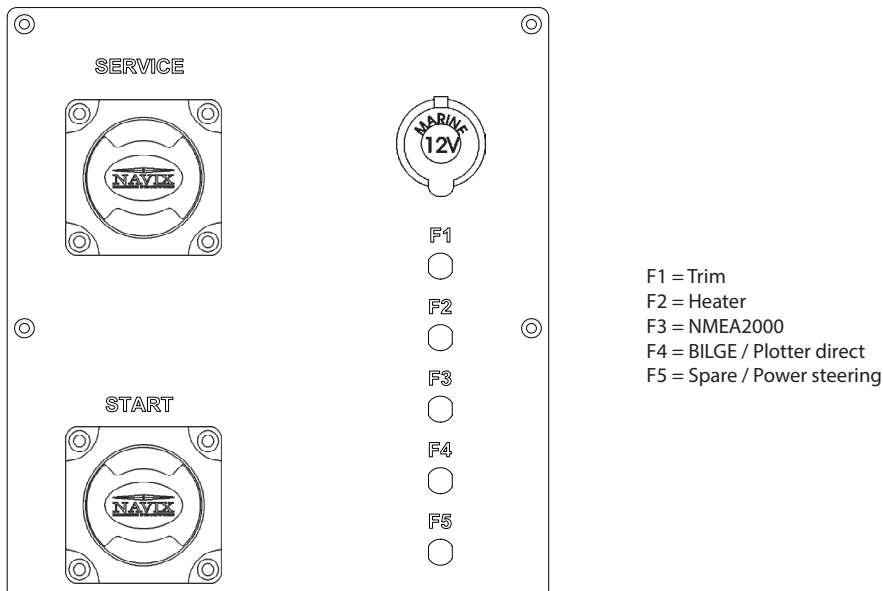
NOTE! In a new boat the fire extinguisher might go out of date in a short period of time.

Main power switch and fuses

Electric circuit fuses are located next to the main power switch. Do not change the circuit breaker amperages or install any components that exceed the nominal amperage of the circuit in the electric system.

Operation of the main power switch:

- turn handle clockwise -> circuit engaged
- turn handle counter-clockwise -> battery disengaged from circuit



Main power switch and circuit breakers.

All fuses on the boat are automatic circuit breakers. In the event of a fault current, the circuit breaker will trip. You can reset the circuit breaker by pushing it back in. If the circuit breaker immediately trips again, there is a short-circuit somewhere in the electrical system or in a component. You must leave repairing the boat's electrical system to a professional electrician.

NOTE! Never cut the power from the main power switch while the engine is running, as this may cause damage to the engine's electrical system.

NOTE! Never install electric equipment on the boat with the power switched on.

NOTE! When you install additional equipment in the boat, use an *Extra* circuit and a separate circuit breaker (socket F5 for circuit breakers). Connect the device to both the live wire and the ground wire. **Never use the hull of the boat as ground.**

NOTE! When connecting or disconnecting the battery, do not touch both terminals, or a terminal and the hull of the boat simultaneously with metal objects.

9. Operation

If this is your first boat or a boat type new to you, take someone with experience of a similar boat with you the first few times you operate it.

NOTE! The boat's maximum propulsion power is 225 kW (300 hp). Do not use the boat if its engine has a higher power rating than the one given on the builder's plate.

9.1. Controls

You will quickly learn how to control your boat, but changing weather conditions, such as wind and waves, will always present new challenges for the driver. The remote control combines the functions of throttle, forward and reverse gears, and the adjusting of the engine trim angle.

9.2. Emergency switch

The emergency switch is a device with one end attached to the switch under the remote control and the other end to your lifejacket, for instance. The emergency switch automatically switches off the engine when detached from the remote control. It is very important that the boat will come to a halt in the event that the driver, for whatever reason, loses his/her balance and is flung from the helm.

NOTE! Never take control of the boat without having attached the emergency switch to yourself. If you attach the emergency switch to your arm, do not steer the boat with that arm, because the emergency switch cord may become tangled in the steering wheel during tight turns.

NOTE! The engine will not start if the emergency switch is not attached to the switch on the remote control.

DANGER! A rotating propeller presents a life-threatening danger to a swimmer or a person who has fallen overboard. Always use the emergency switch to turn off the engine when a swimmer or water skier is about to re-enter the boat from the water.

9.3. Gearshift and throttle

The engine is put into gear by pushing the button on the gear/throttle handle upwards with your fingers and by pushing or pulling the gear/throttle lever forward or backward, depending on the direction in which you are planning to go. When the engine is in gear, you can adjust the boat's speed using the same gear/throttle lever.

When the boat is travelling forward slowly, you can use the reverse gear for braking when approaching the dock, for instance. You must not shift into reverse if the boat is travelling at higher speeds, because it will damage the engine.

9.4. Adjusting the trim angle

These are the main rules when adjusting the trim angle:

- When bringing the boat to plane, keep the 'bow down' position.
- When the boat is planing and seas are calm, keep lifting the bow until you can feel that both the engine and the boat move very easily. In calm waters, the engine should normally be trimmed up at least 3 scale marks on the trim indicator on the revolution counter. If the engine is trimmed up too much, the speed of the boat will be reduced. If the boat is trimmed too low, the boat will run slowly and the engine will run heavily. To achieve good fuel economy, it is important to drive the boat with the right engine trim angle.
- In heavy head seas, lower the bow to allow it to slice through the waves better, thus providing a smoother ride.
- In following seas, raise the bow to avoid 'diving' into the waves.
- When reversing, raise the trim angle slightly to bring the engine up.

WARNING!

Do not drive the boat at high speeds with the engine trimmed up (bow up), as there is a risk of sudden heeling when the propeller hits the water again after a flight in heavy waves. Likewise, do not drive at high speed with the engine completely trimmed down (bow down) since this can cause the boat to pitch unexpectedly when the bow hits the water.

WARNING!

Waves reduce manoeuvrability and make the boat heel. Accordingly, reduce speed when encountering heavier seas.

9.5. Starting the engine

1. Switch the power on using the main power switch.
2. Lower the engine to the driving position by pressing the Power Trim button on the gear/throttle handle.
3. Check that the gear/throttle handle is in the neutral position and that the emergency switch is attached to the bottom of the remote control.
4. Switch on the current, using the start key, without starting the engine and wait a few seconds for the warning lights to light up.
5. Start the engine by turning the ignition key clockwise until the engine starts. If everything is in order, the engine should start within 1-2 seconds. If the engine does not start, you should not try to start it for more than 10 seconds at a time.
6. After the engine has started, let it idle for a few minutes before setting off. (Please refer to the engine manual!)

For more detailed information, please refer to the engine manual.

9.6. Driving

It is easy to drive when the weather is fine and the sea is calm. However, always remember to keep an adequate lookout. In order to maintain the best possible visibility from the driver's position, you should do this:

- Ensure that passengers do not restrict your visibility.
- Do not drive near planing speed for long periods, as the bow comes up and reduces visibility.
- When visibility is poor, look over the windscreen.
- Remember to also keep a lookout behind you, particularly on shipping lanes and heavily trafficked routes.

NOTE!

Use navigation lights in darkness.

Always adjust your speed to prevailing conditions and the environment. Take into account the following:

- waves (also consult the passengers on what is a comfortable speed);
- your own bow wake (greatest at planing speed, smallest at speeds under 5 knots);
- maintaining adequate lookout;
- visibility (islands, fog, rain, driving against the sun);
- familiarity with the route (time required for navigation);
- rules of priority (other traffic); and
- width of the route (other traffic, noise and bow wake near shore).
- Make sure to always maintain a sufficient distance to avoid collision. The distance must be sufficient to stop the boat or to take evasive action.

When running at low speed, a planing boat's directional stability is poorer than at higher speeds. So be careful in narrow passages and, particularly, when meeting other boats.

You must learn the rules of traffic on sea lanes and follow the international regulations on how to avoid collisions at sea, COLREG. Navigate with care and use new or updated nautical charts.

The running position of the boat greatly affects its handling characteristics and fuel consumption as well as visibility from the driver's position. You can affect the running position by:

- placing the load properly – the general rule being that you should place as little weight in the bow as possible; and
- adjusting the trim angle.

The combination of the right running position with the right speed also makes driving in rough seas safer and more comfortable.

WARNING!

A high speed and sudden manoeuvring can lead to large heeling angles and loss of control over the boat.

WARNING!

This boat was not designed for use in temperatures under 0° C. In sub-zero temperatures, the drainage system freezes up and does not work as it should.

NOTE!

The boat is not designed to jump waves. The warranty does not cover damage caused by jumping waves with the boat. You can check whether the boat has been airborne by reviewing the engine history on the computer at a maintenance shop.

9.7. Approaching and leaving the dock

Practise boat manoeuvring skills where there is ample space to learn how to approach a dock before entering a crowded marina.

A very gentle application of throttle does not generate sufficient steering power. Sharp but short throttle applications enable efficient steering movements when approaching the dock.

Ensure that everyone on board who does not have to stand up is seated when you are approaching the dock. Sudden steering movements may cause the boat to heel and injure somebody.

Before docking, prepare the mooring lines at stern and bow. Approach the dock bow first at a slight angle. Just before touching the dock, steer into it and shift into reverse. Apply throttle quickly and sharply. The boat will stop and turn parallel to the dock. If possible, make the approach into the wind or current, whichever is the strongest. This makes departing easier, as the wind or current will push the bow out from the dock. The easiest way to depart is to first push the stern as far away from the dock as possible, and then slowly reverse away from the dock into open water.

The propeller is designed to have the best grip in forward gear. Therefore, propeller performance is weaker in reverse. The steering response is also not as good in reverse as in forward gear.

WARNING! The boat is fast. If you are planing, it takes time to come to a stop. Slow down in time before anchoring, beaching or docking. Learn to estimate the distance the boat needs to stop. Remember that steering control is poor if there is no traction.

WARNING! Do not try to stop the boat with your hands, and do not put your arm or foot between the boat and the dock, the shore or another vessel! Practise beaching and docking under favourable conditions! Use moderate but firm engine power!

NOTE! When securing your boat, take into consideration the possibility of changes in wind direction, rising or sinking of the water level, bow wakes, etc. You can get more information from your insurance company, for example.

9.8. Using the canopy

The canopy is designed to withstand a maximum speed of 30 knots at sea, and 50 km/h in road transport. All press studs must be properly fastened when using the canopy. We recommend that you remove the sides and back of the canopy to make it fit into the canopy box more easily. Then, fold the upper parts of the sides entirely on top of the roof, so that no fabric remains where the corners of the canopy supports are. Finally, roll up the roof part along with the sides folded on top of it, and lower the canopy into the canopy box.

NOTE! The windscreen and canopy do not necessarily form a watertight seal. Water may enter the boat between the canopy and windscreen when the canopy is up.

9.9. Doors between the windscreen and the control consoles

Doors must always be kept shut and locked while driving.

WARNING! Large waves or gusts of wind may slam the door shut also when the boat is stationary. It is thus recommended to always keep the door closed when passage through the bow deck is not being used.

10. Proper use – other recommendations and guidelines

10.1. Man overboard

It is always a serious situation when someone falls overboard. Rescue procedures should be practised in advance during good weather, because it is too late for practice when someone has actually fallen into the water.

The boat is equipped with the fixed swim ladder that can be lowered down from the water. The swim ladder unfolds to the full length by pulling the ladder away from the boat.

It is always easiest to help a person climb back on board at the stern of the boat. A rope loop attached to the boat helps lifting. The boat's swim ladder extends 30 cm into the water.

It is very important to maintain visual and verbal contact with a person that has fallen overboard.

DANGER! A rotating propeller presents a life-threatening danger to a swimmer or a person who has fallen overboard. Always use the emergency switch to turn off the engine when a swimmer or water skier is about to enter the water or re-enter the boat from the water.

10.2. Securing loose equipment

Stow all heavy equipment, such as anchors, and secure them firmly before setting off.

10.3. Respect for the environment

Conservation of the environment is a matter of honour for every boater. Therefore, you should avoid:

- fuel and oil leaks;
- emptying rubbish and waste into the water or on the shore;
- letting detergents or solvents get into the water;
- loud noise both on the water and at the marina; and
- producing an unnecessarily high bow wake, especially in narrow passages and shallow waters.

Service the engine well and run it at the most economical speed, which will also keep exhaust emissions low.

Please also consider other local environmental legislation and regulations.

Please make sure to familiarise yourself with the International Convention for the Prevention of Pollution From Ships (MARPOL) and respect it to the greatest possible extent.

10.4. Anchoring and mooring the boat

Always moor your boat carefully, even in sheltered places, because conditions can change rapidly. Mooring lines should be equipped with absorbers to dampen any jolts. Please refer to the section *Towing* for the location of bollards. To prevent abrasion, use fenders that are large enough.

The loop at the bow of the boat is for locking the boat to trailer. The loop on the deck is for locking the boat (to a dock, for instance). The locations of the loops are shown in section 8.

NOTE! Make sure that the lock or chain does not scratch the deck of the boat.

The endurance of the bow bollards forward and the aft bollards backward is at least 12.6 kN, which is approximately 1,300 kg. The ultimate strength of ropes should not exceed 1,300 kg, so that the rope will break before the bollard or its fastening does.

The minimum anchor weight for the boat is 5 kg. Drop anchor far enough from shore. A reasonable grip is attained if the anchor line length is 4–5 times the water depth.

WARNING! Do not try to stop the boat with your hands, and do not put your arm or foot between the boat and the dock, the shore or another vessel!

NOTE! When securing your boat, take into consideration the possibility of changes in wind direction, rising or sinking of the water level, bow wakes, etc. You can get more information from your insurance company, for example.

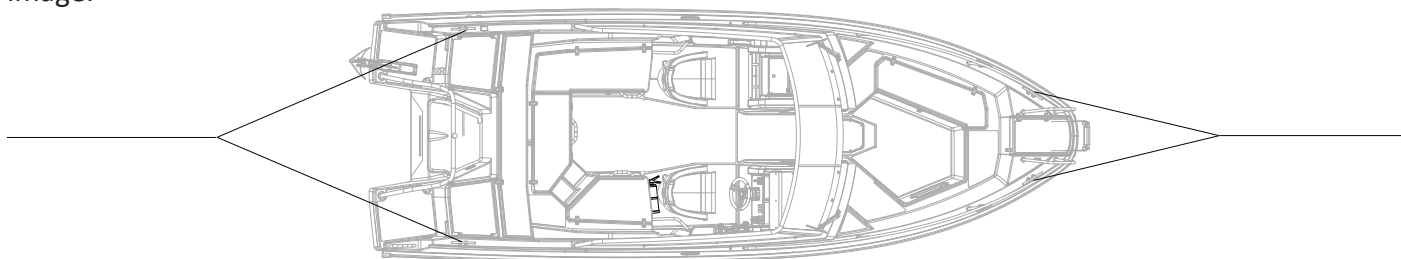
NOTE! It is the owner's/user's responsibility to make sure that the boat's mooring and anchoring equipment is suitable for the boat's intended use.

10.5. Towing

When towing another boat, use a floating line that is strong enough for the task. Begin towing slowly, avoid jerks, and do not overload the engine.

The owner of the boat should consider the measures necessary for securing the boat's towrope.

If you are towing, or if your boat has to be towed, attach the towline to the bollards as per the following image.



Attaching the towline to the bollards.

WARNING! When towing, the towline is under high tension. If it should break, the end that snaps off may lash back fast enough to cause serious injury or death. Always use a thick enough line and keep to one side of the towline.

NOTE! When towing another boat or being towed, always drive at low speed. If the boat has a displacement hull, never exceed hull speed while towing (the speed before the boat rises to plane).

NOTE! The towline should always be fastened so that it can be unfastened under load.

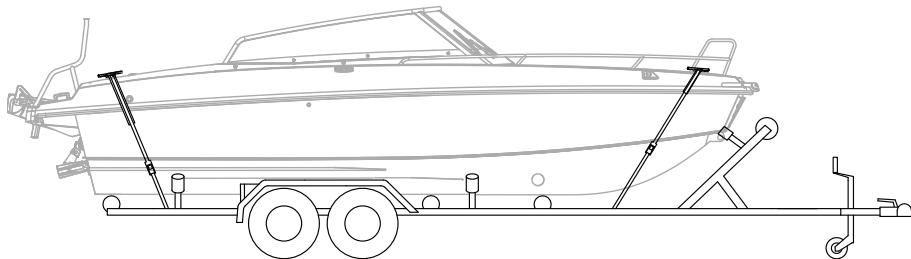
10.6. Trailer transport

Weight data for trailer transport may be found in the *technical specifications*. The trailer's keel supports should bear most of the weight of the boat. Adjust the keel supports so that the boat cannot slide from side to side. Adjust the side supports so that the boat will not rock sideways. For more information, please consult your dealer.

Clean the supports of sand and dirt so that they will not scratch the bottom of the boat. Double-check that the trailer is securely coupled to the trailer tow hitch!

The place for lifting the boat out of the water should be sheltered, and the ramp should extend deep enough into the water. Reverse the trailer so deep into the water that the rearmost keel support is just above the water. Drive the boat carefully towards the rearmost keel support. and fasten the winch cable to

the trailer hook. Reel the boat up onto the trailer, taking care that the boat remains straight on the trailer's centre line. Remember to trim up the engine before reeling the boat onto the trailer so that it will not hit the bottom.



Attaching the boat to the trailer.

Tie the boat properly before beginning transport. The sling ropes at the bow should be directed down and back, and the sling ropes at stern should be directed down and front. Do not leave any loose equipment or extra load on the boat when it is being transported. Remove the seat cushions and close all hatches properly.

The engine should be in the driving position during transport. However, ensure that there remains adequate clearance. If the clearance is not sufficient in this position, you can transport the engine raised. Use the lock to secure the engine in the raised position.

Wash and rinse the boat immediately after transport. Take special care when washing an aluminium hull if the roads have been salted. Road salt can leave permanent marks on an aluminium hull if it is not washed off. If the boat is kept on the trailer between transports, you must loosen the sling ropes for the duration and tighten them before the next transport.

NOTE!

The trailer should be slightly front-weighted. Appropriate nose weight is 4 % of the total mass of the trailer, but not less than 25 kg. Nose weight must not exceed the maximum vertical load on tow ball. Maximum load is defined by manufacturer of the towing vehicle. Make sure that the boat is fastened tight enough to the trailer and that the weight of the boat is divided equally between side supports. If the boat swings against a side support during transport, it may sustain hull damage.

When letting the boat down from the trailer, remember to fasten the bow rope to the boat beforehand so that you can release the cable from the trailer hook as soon as the boat is in the water. Be careful with the winch handle!

10.7. Docking

The storage cradle should be sufficiently steady and suitable for this particular boat and engine combination. A sturdy plank (e.g. a 2x4) should be placed between the V trestles to support the keel and to bear most of the weight of the boat. The boat must not rest on the side supports. The side supports should not be placed touching the bottom chine, and point loads should be avoided. The supporting structures should be strong, particularly near the transom, to support the added weight of the engine.

Only use reputable lifting companies or boat yards with sufficient lifting capacity. In addition to the boat's tare weight (please refer to the technical specification), also take into consideration accessories and other possible loads in the boat.

When the boat is being lifted, the lines must be placed under the boat and the boat must remain horizontal

during lifting.

NOTE! Do not lift the boat by its bollards.

DANGER! Never stand under a boat that is suspended from a crane.

11. Servicing and maintenance

Keep your boat and its equipment clean and tidy. This increases comfort and safety on board, and also the boat's resale value.

Familiarise yourself with the service procedures shown in the engine manual (see annex). Have your engine serviced according to the instructions in the manual.

11.1. Washing and waxing the boat

Cleaning fibreglass surfaces

Normally it is sufficient to just wash and wax the deck. Special boat cleaning agents are most suitable for the purpose. Do not use strong solvents; they can cause glossy surfaces to fade. Mildly abrasive polishes can be used to remove chafes and embedded dirt from the deck. The boat's aluminium and fibre glass surfaces can be washed with a pressure washer. Observe the chemical manufacturer's instructions when washing and cleaning the deck. The cleaning and maintenance instructions given here apply to Star brite products, available at well-stocked boating shops.

Useful tip: Washing the boat will be easier if it is done immediately after getting the boat out of the water.

NOTE! Do not spray water with a pressure washer on the caulking seam under the fender list. Pressurised water can damage the glued seam.

NOTE! Do not spray water directly into the air intake grilles. The water could get into the boat and into the structures.

The boat's instrument panel, the hatch of the glove compartment and the back wall of the front anchor box are made of plastic and can be washed with soap water; never use solvents to clean them.

Cleaning the aluminium hull

First wash off loose dirt above the water line using *Star brite Boat Wash in a Bottle* (a concentrated boat washing chemical, to be used in a mixture of 3 corkfuls per 10 l of water). Remember to dry the boat.

The waterline and bottom of the boat must be washed in temperatures of at least +10 °C, and only after the hull is completely dry. For the waterline and the bottom, use *Star brite Aluminium Cleaner*, which cleans the waterline and bottom of slime and grime.

Star brite Aluminium Cleaner is easy to use: Pour some cleaner in a plastic bucket and brush the hull of

the boat with vertical strokes from the bottom up to prevent trickling. Let the cleaner take effect for 1–2 minutes (but do not let it dry). Rinse thoroughly. The cleaning process can be enhanced and speeded up by rubbing the surface with a sponge or a brush while the cleaner is applied. If you are working in the sunshine, only apply cleaner to an area that you will have time to wash before it dries.

Protecting the aluminium hull

When the aluminium hull is completely clean and dry, it can be protected against oxidation. *Spray Star brite Aluminium Polish* on the surface to be treated and spread it out with a soft, lint-free cloth. We recommend that you treat your new boat with Star brite Aluminium Protectant before launching it to prevent oxidation of the aluminium surfaces. Oxidation is a natural reaction of aluminium against corrosion and only affects the appearance of the boat, not its quality otherwise.

Useful tip: If you wash your boat with tap water, it will leave behind a thin, chalk-like deposit of calcium and other minerals due to the water hardness. This can be prevented by mixing a few drops of pine soap solution into a bucketful of rinsing water.

Useful tip: Water and lime stains on stainless steel rails can be removed using *Lemon Pled* furniture spray.

Useful tip: If the boat ropes smell bad after winter storage, immerse them for a couple of hours in a bucket of water with a bottle of apple wine vinegar and a splash of fabric conditioner mixed in. Let dry properly, and the ropes will be as good as new.

NOTE! Make sure that the cleaning, polishing and protective agents you use are suitable for aluminium and the other surfaces you will treat with them. Follow all instructions provided by the chemical manufacturer.

Aluminium tread plates (optional accessory)

Tread plates in black anodised aluminium.

Black anodised aluminium will fade slightly in the sunlight.

The warranty does not cover faded floor plates, as fading is a feature, not a manufacturing defect.

11.2. Care instructions for seat cushions

Always use the canopy or harbour cover when it is raining to protect the seat cushions. Although the seat cushions are made of water-resistant material, water can get in through their seams. If the cushions remain damp for any length of time, they may get mouldy and be ruined. If the mattresses get wet, the fabric can be removed by unzipping the mattress and dried in the sun, at room temperature or in a sauna (max +50°C). The warranty does not cover cushions spoilt by rain or damp.

NOTE! To keep the seat cushions in good condition over the winter, they must be stored in a dry and well-ventilated place.

NOTE! Wet cushions should not be placed in storage, because they gather mould easily.

NOTE! Single seats must be covered with seat covers when boat is not in use. If seats have got wet during the use of the boat, they must be dried carefully before covering.

The press studs of the seat cushions should be sprayed with silicon spray every now and then, otherwise they may become so tight that the fabric will tear when trying to open them. The warranty does not cover ripped seat cushions. Use very little silicon spray at a time in order not to stain the cushions.

11.3. Care instructions for the canopy

Store the canopy over winter in a dry and well-ventilated place.
The warranty does not cover a torn canopy.

11.4. Care instructions for the windscreen

The boat's windshield and the middle doors between the consoles are made of acrylic, and can be washed with water and soap (e.g. car shampoo). Do not use solvents on acrylic.

Useful tip: When wiping the boat's windshield dry after cleaning, avoid using circular motions.
 This can leave circular smudges on the windscreen that become visible in sunlight, impeding visibility. Use newspaper or a cotton rag, using first horizontal, then vertical motions. Repeat this a few times and you'll bring the windscreen to a brilliant shine.

11.5. Care instructions for the stainless steel components

To keep the boat's stainless steel parts, such as rails, handles and bollards, shining as good as new, you should keep the parts clean and waxed. The edges of the mounting flanges of the rails should also be cleaned. Any dirt that remains under the edge of the flange will begin to look like rust. In regular use (i.e. no damage), the parts should be cleaned and waxed at least twice every summer. The rails should also be cleaned and waxed in autumn, when the boat is put into winter storage.

11.6. Care instructions for the remote control

Normally, the remote control needs no other maintenance apart from greasing and calibration during winter servicing. If the remote control becomes stiff for any reason, it needs to be serviced immediately.

11.7. Care instructions for the steering system

The boat has cable steering that normally does not require other servicing apart from greasing and inspection during annual maintenance. If steering seems stiff or keeps catching, it must be serviced immediately.

11.8. Care instructions for electrical components

Electrical components such as the main power switch, other switches and connectors do not normally need to be serviced if the boat is stored in a dry and well-ventilated place for the winter. If, however, you wish to protect electrical components against oxidation, the best way to do it is by spraying them every now and then with a moisture repellent antioxidant.

11.9. Minor superficial repairs

You can repair minor surface damage to the boat's deck yourself. However, achieving a neat, unnoticeable repair requires a considerable amount of skill:

1. Protect the area around the damage with tape.
2. Bevel the edges of the damaged area and clean with acetone.

3. If the damage is deeper than 2 mm, it is advisable to smooth it with an appropriate polyfiller before painting.
4. Mix topcoat with 1.5-2% hardener.
5. Fill the repair with more topcoat than needed, so that its surface remains slightly proud of the surrounding area.
6. Carefully put tape over the repair.
7. After the topcoat has hardened, remove the tape and sand the repair using 600 and 1200 paper applying water.
8. Buff using abrasive paste and wax.

The colours used on this boat are specified in the *technical specifications*. One point to consider is that a paint called *gelcoat* has been used in manufacturing the boat, but the surface is always repaired with a paint called *topcoat*. Gelcoat paint does not harden without a mould surface, whereas paraffin has been added to topcoat to allow it to harden.

WARNING!

Be careful when handling the hardening agent. If the hardening agent vessel/bottle leaks, or some agent drops onto a dirty floor or rag, there is a very high risk of the surface catching fire. Do not throw into the rubbish bin any rags or vessels containing topcoat/hardening agent mixture. Always use protective eye-wear when handling topcoat or hardening agent. If you get hardening agent in your eyes, immediately rinse with tap water and then consult a doctor.

NOTE!

Later installations and alterations, if incorrectly carried out, may damage the structure of the boat or compromise safety. Please contact the dealer if you are planning any modifications.

NOTE!

It is important to use aluminium or stainless steel screws and rivets when installing accessories. There are ready-made fittings for a depth finder sensor (Garmin) on the boat's transom.

NOTE!

When installing accessories on an aluminium surface (**except in predetermined locations**), always use aluminium rivets and insulating washers to avoid corrosion.

12. Winter storage

Preparing your boat for winter storage is an annual routine. Have your boat lifted in good time before the water freezes. Your boat is not designed for use in ice and it is not meant to be used in temperatures below zero (for example, the rain water drainage system will freeze up). It is advisable to perform all maintenance, repair and inspection procedures in connection with placing the boat in winter storage.

Familiarise yourself with the service procedures shown in the engine manual. We recommend that you leave them to an authorised service agent. Do not forget to service the remote control and steering system. Make sure to perform their maintenance according to their separate instructions and manuals.

12.1. Measures before winter storage

Have your boat lifted in good time before the water freezes. Your boat is not designed for being driven in ice, or for remaining in the water when it freezes.

Wash the bottom of the boat immediately after the boat has been lifted. Algae and slime will come off easier if they are not left to dry.

Give the engine and other equipment their winter servicing, following their separate manuals. If your boat is stored outside or in a humid place over the winter, empty it of textiles and other equipment that may corrode or become mouldy in damp conditions. Wash the ropes in fresh water. Replace any worn ropes. Leave through fitting valves open. Remove the drain plug for the winter.

Electronic instruments are best protected against oxidation and theft by detaching them and removing them to a dry indoor environment for the winter. Detach the batteries and store them in a warm, dry place. Charge the batteries at least twice during the winter. Spray the couplings of the electrical system with an appropriate water repellent antioxidant.

Always cover your boat so that water or snow cannot gather inside. Always make sure, however, that it is adequately ventilated. A winter storage cover is available as an optional accessory for your boat.

NOTE! Make sure that the winter storage cover or its ropes do not touch the aluminium hull. If the cover or its ropes abrade the hull, they will leave black marks on it.

12.2. Measures before launching the boat

Repair any damage to the gelcoat surface according to section 6.9.

In sea areas, antifouling paint should be used to prevent the hull from becoming covered with vegetation. Fouling of the bottom and especially the propeller increases fuel consumption significantly. However, if the boat is anchored at the inlet of a stream or in the Bothnian Bay, or if it is lifted out of the water at least once every two weeks, it is normally not necessary to use antifouling paint. Carefully follow the paint manufacturer's instructions when applying the paint. When sanding old antifouling paint, remember that the dust is toxic. Antifouling paint is not necessary in fresh water (lake areas).

NOTE! Do not apply any paint to the zinc anodes, depth finder sensor, or piston rods of the hydraulic trim tabs. Do not apply paints containing copper or lead on aluminium parts. Remember to follow the paint manufacturer's instructions. The warranty does not cover damage caused to the hull by antifouling paint containing lead or copper.

Useful tip: Do not throw away a used paint brush. A dried-up antifouling paintbrush can be rejuvenated by soaking it for a couple of hours in a mixture of 2 l hot water, 1 dl vinegar and 0.5 dl baking powder.

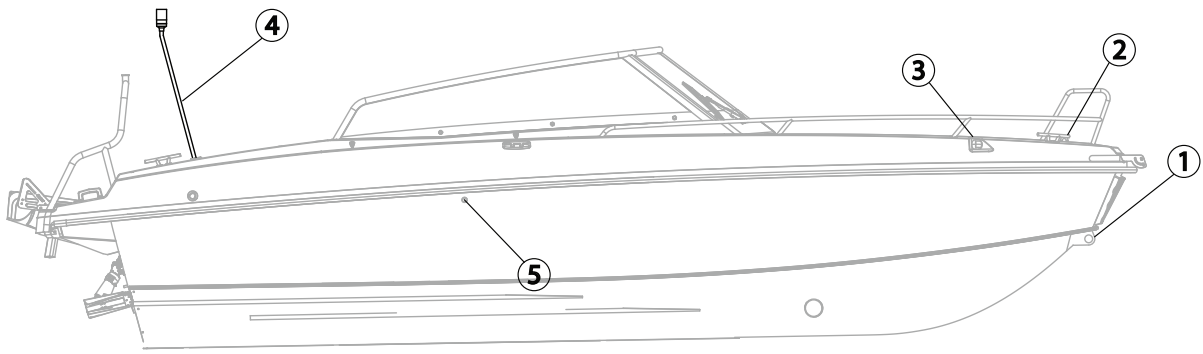
Perform the necessary service procedures required for the engine according to the engine manual. Check the functioning of electric equipment and remove any oxidation from fuse connectors etc.

Remember that petrol goes stale over time, and you must always start the engine with fresh petrol in the spring.

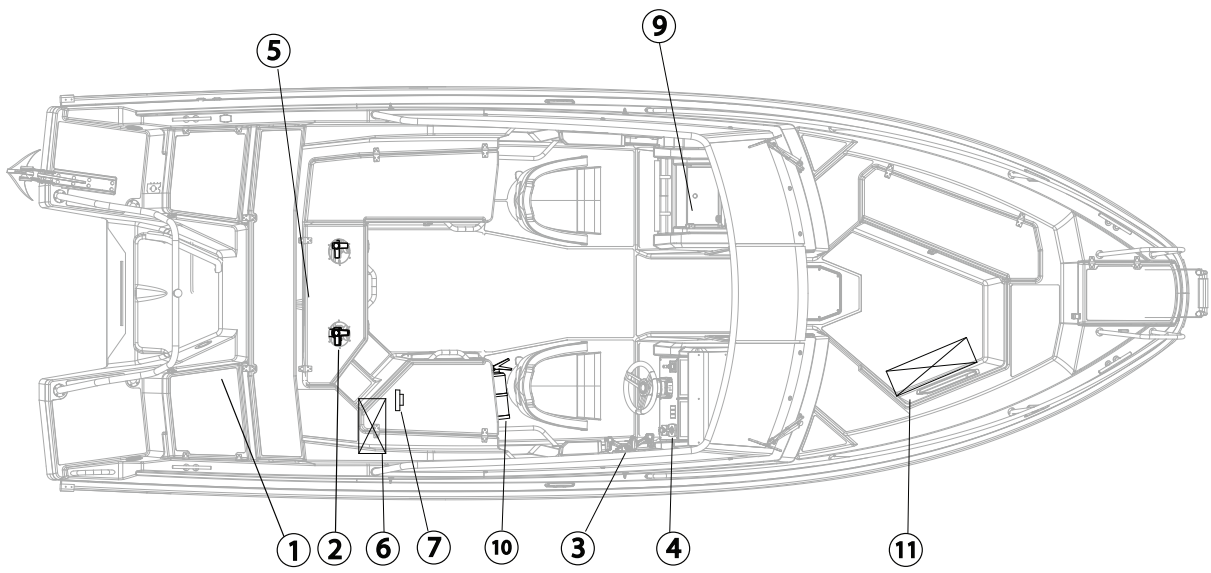
When the boat has been launched you should open all valves in the through fittings (bushings) and check to ensure that there are no leaking hoses or connectors. The locations of through fittings are shown in section 5. Bring your safety equipment back on board before setting out.

13. Lay-out

13.1. General lay-out



- 1. Trailer hook
- 2. Locking hook
- 3. Navigation light
- 4. Light mast
- 5. Fuel tank vent



- 1. Fuel refill
- 2. Rainwater drainage valve
- 3. Remote control
- 4. Ignition
- 5. Fuel filter
- 6. Battery (not standard equipment)
- 7. Main power switch
- 8. Fuse panel
- 9. Glove compartment
- 10. Extinguisher
- 11. Life raft

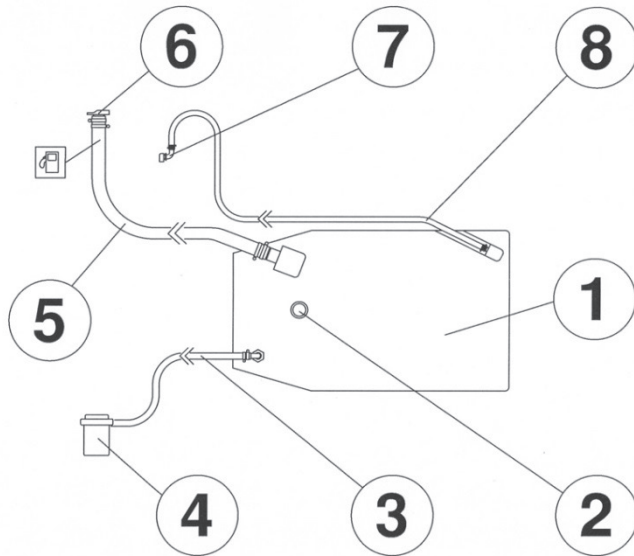
WARNING! Handle the boat's hatches with care and watch your fingers and toes.

13.2. Fuel system

The boat is equipped with a built-in fuel tank. A fuel filter is installed in the fuel line. The filter is located under the aft bench, on the driver's side. The filter must be changed at least once a year. When a new or removed filter has been mounted, the fuel line must be filled with a ball pump before starting the engine.

NOTE!

The condition of the fuel hoses must be inspected annually, and every effort should be made to prevent damage to them. Damaged fuel hoses must be replaced immediately. If you replace fuel hoses, make sure the new hoses have an ISO 7840 label.



- | | |
|----------------------|----------------------------|
| 1. Fuel tank | 5. Fuel tank filling hose |
| 2. Fuel tank sensor | 6. Fuel refill |
| 3. Fuel feeding hose | 7. Fuel tank vent |
| 4. Fuel filter | 8. Fuel tank breather hose |

The fuel refill is located on the right side of the engine well when viewed from the stern.

13.3. Steering system

The boat is equipped with hydraulic steering.

The lengths of the hydraulic hoses are:

- 2 x 2.5 m
- 2 x 3.5 m

NOTE!

If you replace any component in the steering system, please note that all components must conform to the ISO 10592 standard and carry the CE mark.

14. Electrical system

The Yamarin Cross 54 BR electrical system contains the following main components:

1. Wire harness
2. Main power switch
3. Switch
4. 2 pcs 12V power outlets
5. Navigation lights

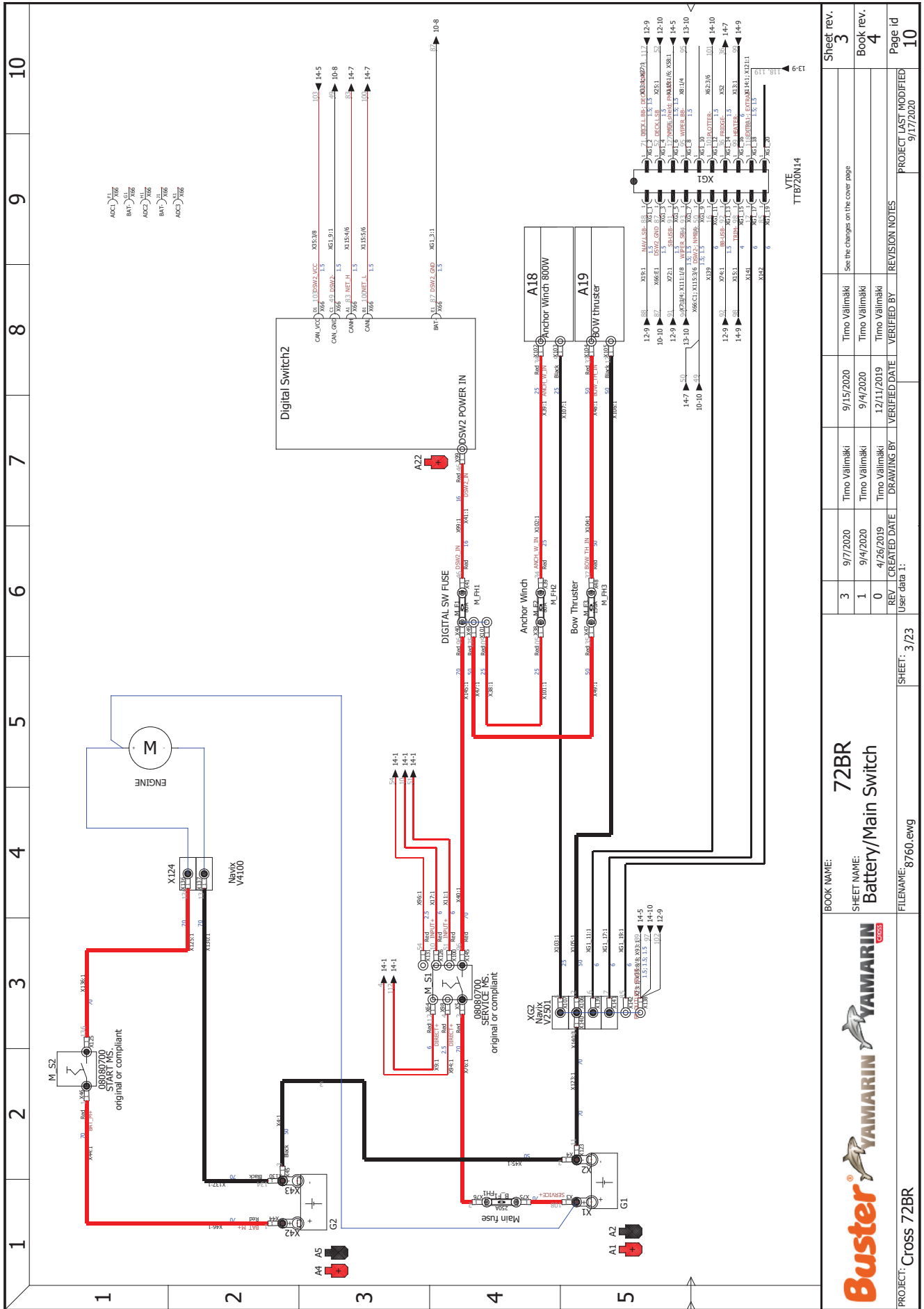
In addition, the engine is an essential part of the boat's electrical system; it both generates and consumes power.

Switch off the main switch when leaving the boat for a long period of time. Remember also to switch off the main power switch before making any electrical installations.

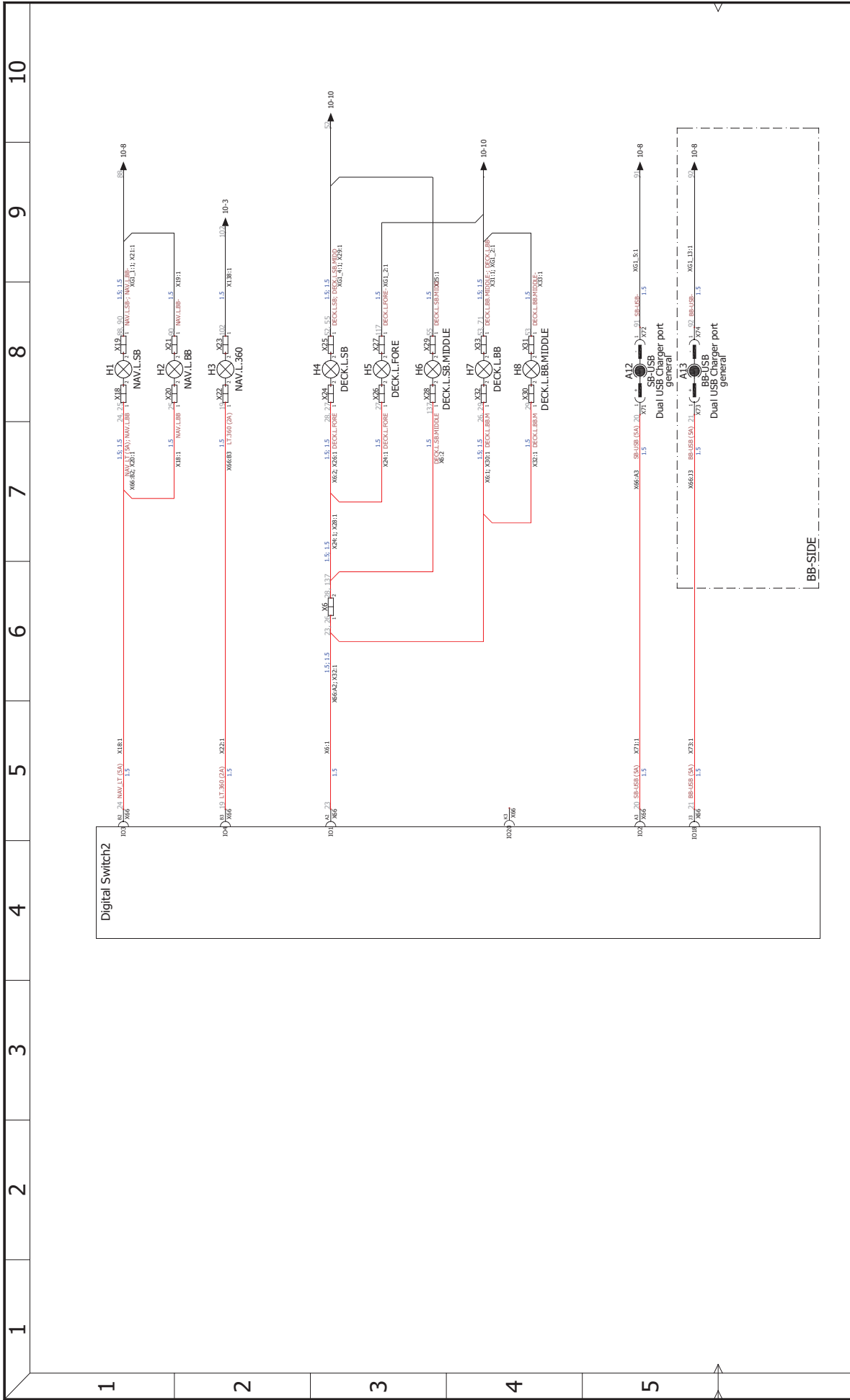
If you connect or disconnect the battery, take care not to touch both battery terminals with a metal object at the same time. Please remember to observe caution in other respects as well if you have to charge the battery with a separate charger. Charging the battery with excessive current creates an explosion risk.

Do not alter the onboard electric system or relevant drawings; alterations and maintenance work have to be carried out by a professional.

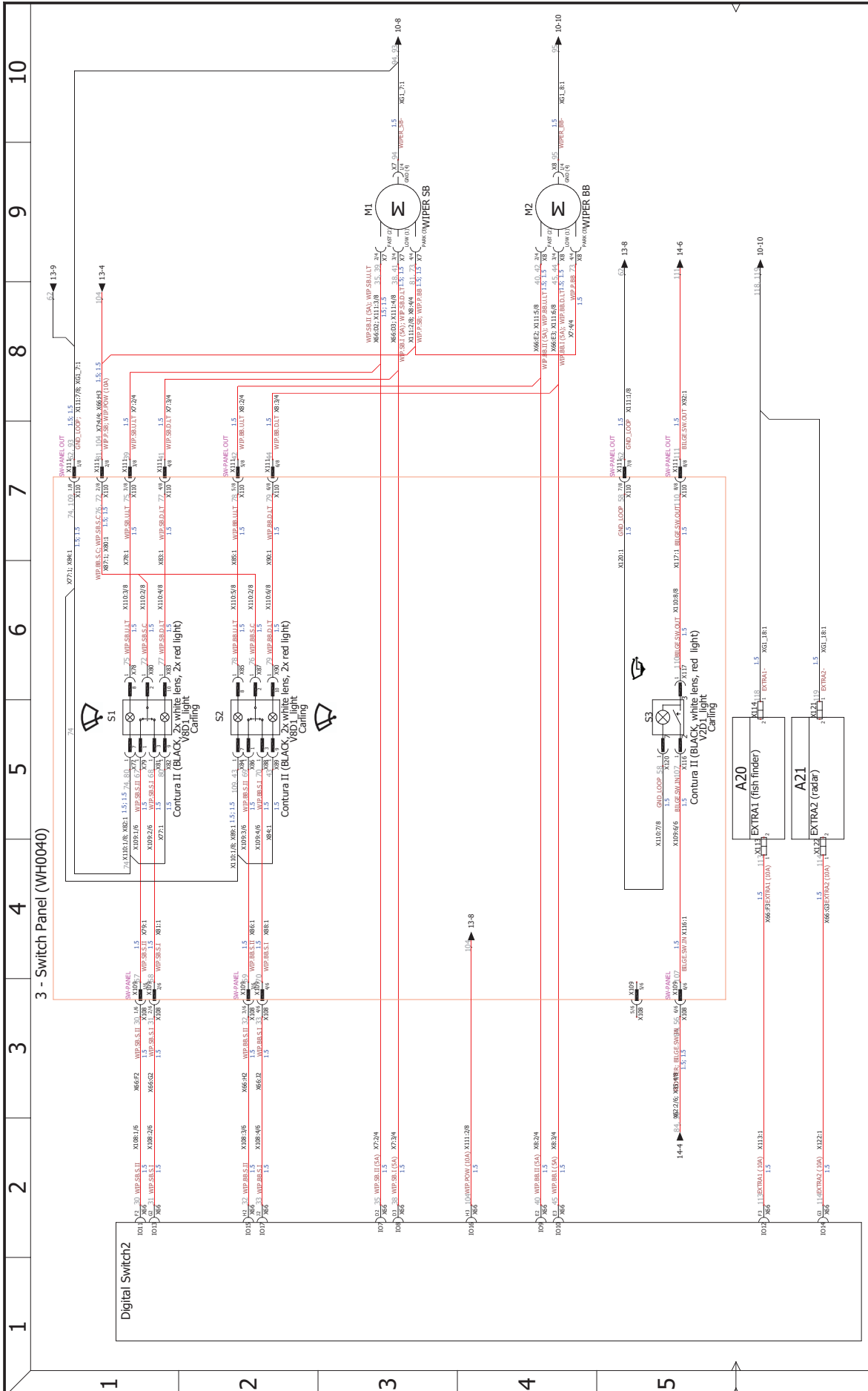
14.1. Wiring diagram



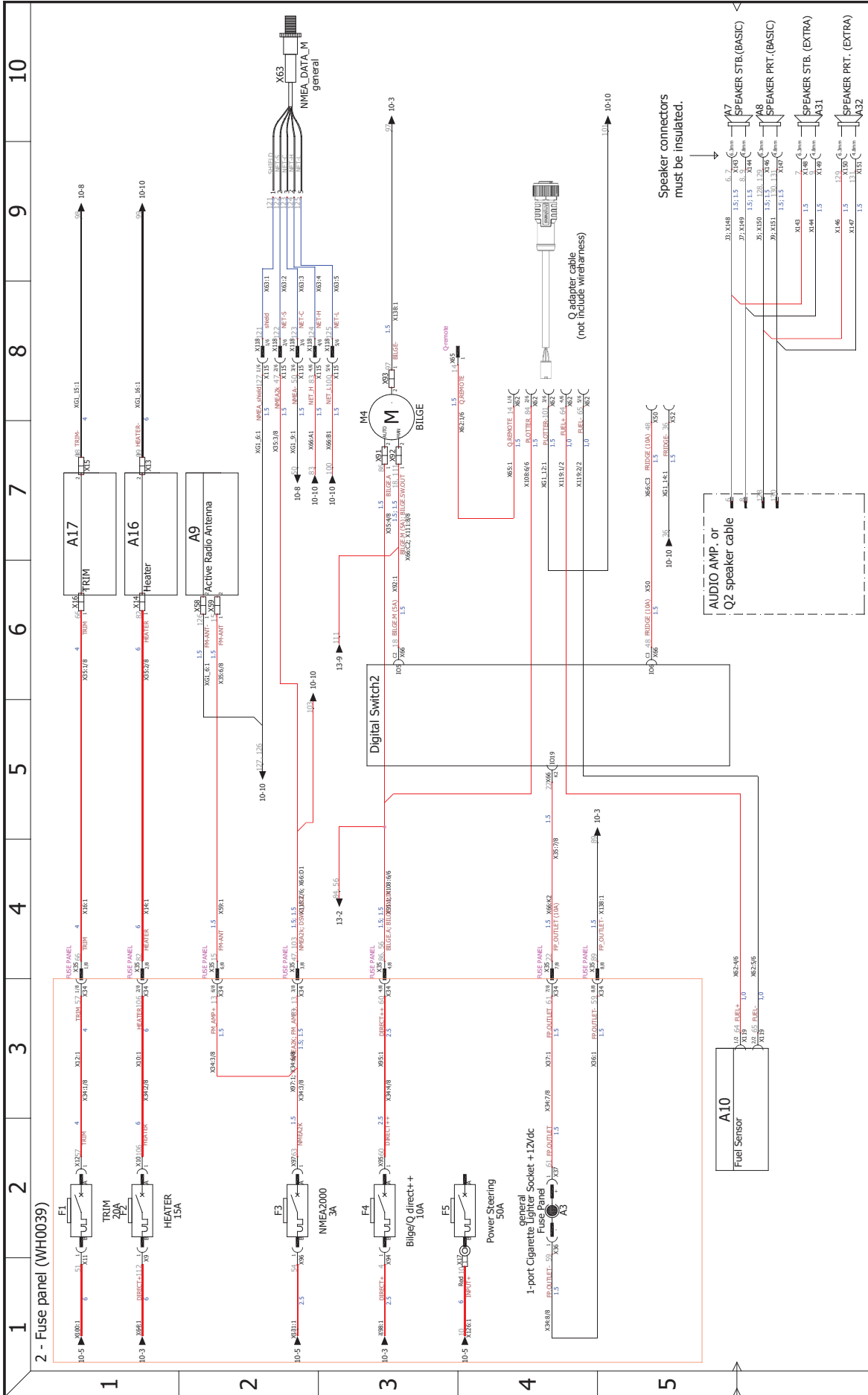
PROJECT: Cross 72BR		SHEET: 3/23		FILENAME: 8760.ewg		REVISED DATE		DRAWING BY		VERIFIED DATE		VERIFIED BY		REVISION NOTES		PROJECT LAST MODIFIED	
BOOK NAME: 72BR		SHEET NAME: Battery/Main Switch		FILE NAME: 8760.ewg		9/7/2020		Timo Välimäki		9/15/2020		Timo Välimäki		See the changes on the cover page		9/17/2020	
9/4/2020		Timo Välimäki		9/4/2020		Timo Välimäki		9/4/2020		Timo Välimäki		9/4/2020		Timo Välimäki		Book rev. 4	
4/26/2019		Timo Välimäki		12/11/2019		Timo Välimäki		12/11/2019		Timo Välimäki		12/11/2019		Timo Välimäki		Page id 10	
User data 1:		SHEET: 3/23		FILENAME: 8760.ewg		9/7/2020		Timo Välimäki		9/15/2020		Timo Välimäki		See the changes on the cover page		9/17/2020	



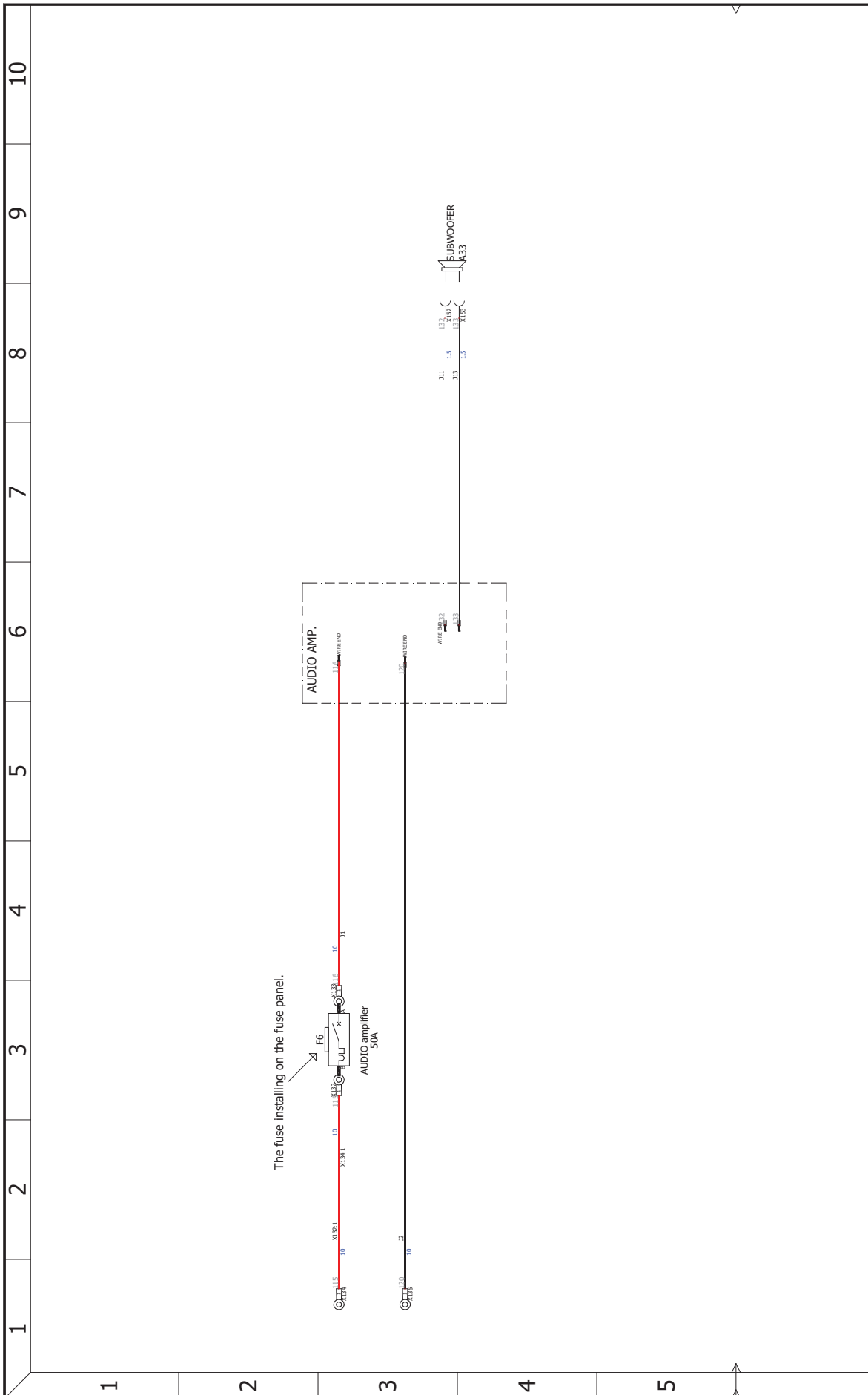
1	2	3	4	5	6	7	8	9	10
BOOK NAME: 72BR SHEET NAME: Lights/USB FILENAME: 8764.ewg									
PROJECT: Cross 72BR									
SHEET: 4/23									
3	9/17/2020	Timo Välimäki	9/15/2020	Timo Välimäki	9/15/2020	Timo Välimäki	9/15/2020	Timo Välimäki	See the changes on the cover page
1	9/4/2020	Timo Välimäki	9/4/2020	Timo Välimäki	9/4/2020	Timo Välimäki	9/4/2020	Timo Välimäki	Book rev. 4
0	4/26/2019	Timo Välimäki	12/11/2019	Timo Välimäki	12/11/2019	Timo Välimäki	12/11/2019	Timo Välimäki	Page id 12
REV CREATED DATE DRAWING BY VERIFIED DATE VERIFIED BY REVISION NOTES PROJECT LAST MODIFIED 9/17/2020									



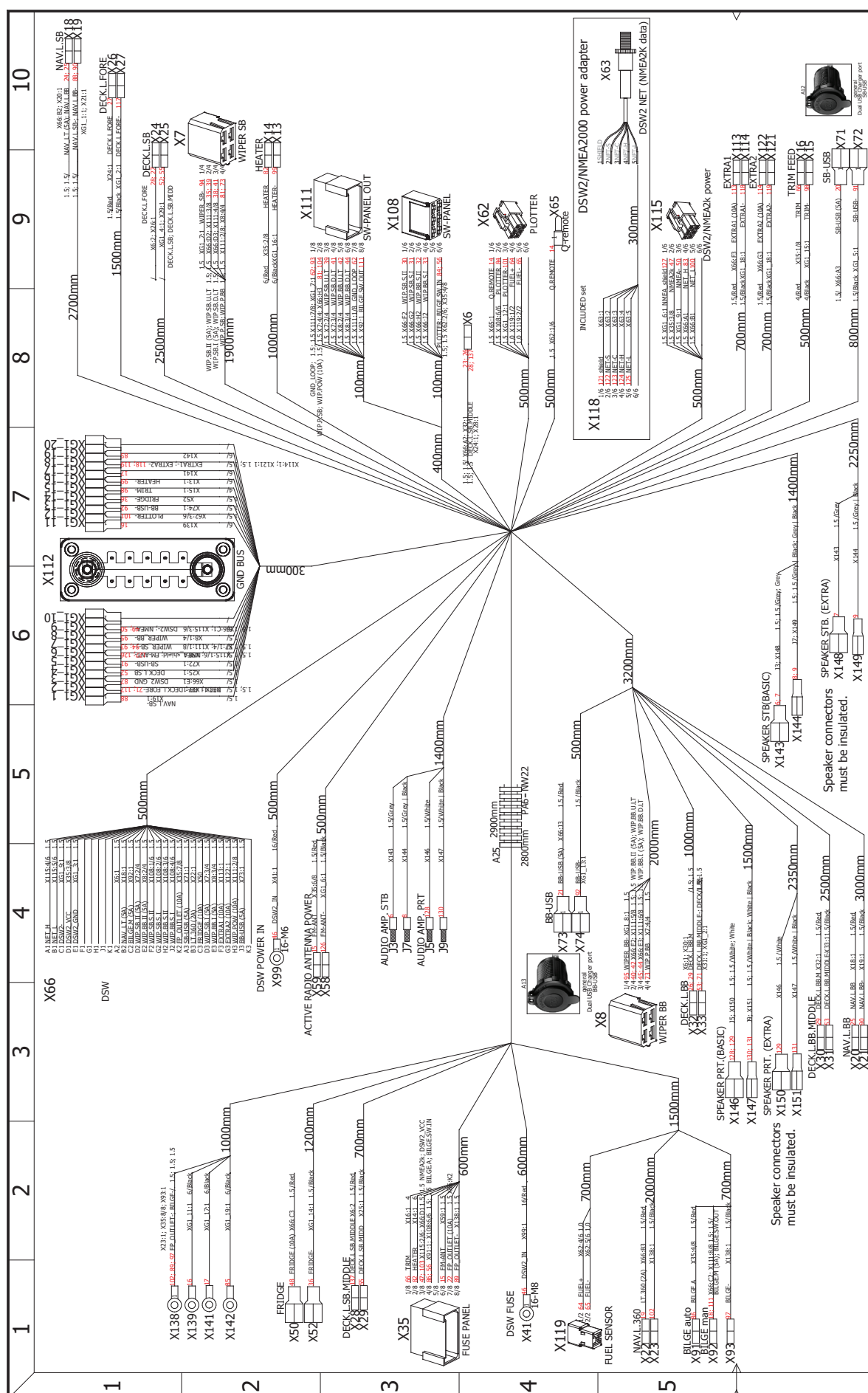
PROJECT: Cross 72BR		SHEET: 5/23		REVISION NOTES		PROJECT LAST MODIFIED 9/17/2020	
FILENAME: 8765.gwg		User data 1:		REV	CREATED DATE	DRAWING BY	VERIFIED BY
BOOK NAME: 72BR		3	9/15/2020	Timo Välimäki	9/15/2020	Timo Välimäki	Sheet rev. 3
SHEET NAME: Wipers/extra/switch		2	9/15/2020	Timo Välimäki	9/15/2020	Timo Välimäki	Book rev. 4
		1	9/4/2020	Timo Välimäki	9/4/2020	Timo Välimäki	
		0	4/26/2019	Timo Välimäki	12/11/2019	Timo Välimäki	Page id 13



PROJECT: Cross 72BR	SHEET: 6/23	FILENAME: 8766.ewg	REV	CREATED DATE	DRAWING BY	VERIFIED DATE	VERIFIED BY	REVISION NOTES	PROJECT LAST MODIFIED	Page id
			4	9/17/2020	Timo Välimäki	9/17/2020	Timo Välimäki	See the changes on the cover page	9/17/2020	14
			3	9/7/2020	Timo Välimäki	9/15/2020	Timo Välimäki	See the changes on the cover page		
			1	9/4/2020	Timo Välimäki	9/4/2020	Timo Välimäki			
			0	4/26/2019	Timo Välimäki	12/11/2019	Timo Välimäki			
			REV	CREATED DATE	DRAWING BY	VERIFIED DATE	VERIFIED BY	REVISION NOTES		
					User data 1:					
BOOK NAME: 72BR										
SHEET NAME: Plotter/Bilge										
PROJECT: Cross 72BR										
SHEET: 6/23										
FILENAME: 8766.ewg										
PROJECT LAST MODIFIED: 9/17/2020										
Page id: 14										



PROJECT: Cross 72BR		BOOK NAME: 72BR		SHEET NAME: Audio EXTRA (OPT)		SHEET: 7/23		User data 1:		PROJECT LAST MODIFIED 9/17/2020	
FILENAME: 12771L.ewg		9/15/2020		Timo Välimäki		9/15/2020		Timo Välimäki		Sheet rev. 3	
		4/15/2020		Timo Välimäki		4/15/2020		Timo Välimäki		Book rev. 3	
		9/4/2020		Timo Välimäki		9/4/2020		Timo Välimäki		Book rev. 4	
		9/4/2020		Timo Välimäki		9/4/2020		Timo Välimäki		Page id 15	
		DRAWING BY:		VERIFIED DATE:		VERIFIED DATE:		VERIFIED BY:		REVISION NOTES	
		User data 1:								Added extra speaker cables	
										REVISION NOTES	



PROJECT: Cross 72BR		SHEET: 8/23		HARNES NAME: Main Harness (WH0043)		DRAWING NUMBER: WH0043		REVISION NOTES		PROJECT LAST MODIFIED	
FILENAME: 8761.gwg		BOOK NAME: 72BR		SHEET NAME: Main Harness (WH0043)		BOOK REV: 4		REV: 4		PAGE ID: 20	
REV	CREATED DATE	DRAWING BY	VERIFIED DATE	VERIFIED BY	REVISION NOTES	9/17/2020	Timo Välimäki	9/17/2020	Timo Välimäki	See the changes on the cover page	Sheet rev.
3	9/7/2020	Timo Välimäki	9/15/2020	Timo Välimäki	See the changes on the cover page	9/17/2020	Timo Välimäki	9/15/2020	Timo Välimäki	See the changes on the cover page	Book rev.
1	9/4/2020	Timo Välimäki	9/4/2020	Timo Välimäki		9/17/2020	Timo Välimäki	9/4/2020	Timo Välimäki		Book rev.
0	4/26/2019	Timo Välimäki	12/11/2019	Timo Välimäki		9/17/2020	Timo Välimäki	12/11/2019	Timo Välimäki		Book rev.

Document realized with version: 2.0.1.6.0.5.9

YAMARIN CROSS

Yamarin Cross 75 Bow Rider

Käyttäjän käsikirja

ESIPUHE

Onnittelumme, että valitsit Yamarin Cross -veneeseen!

Käyttäjän käsikirja perehdyttää Sinut uuden veneesi ominaisuuksiin sekä auttaa sen hoidossa ja huollossa. Se on laadittu avukseksi, jotta opit käsittelemään venettäsi turvallisesti ja välttämään mahdolliset ongelmat. Tarkista, että olet venetoimituksen yhteydessä saanut haltuusi kaikkien veneeseesi asennettujen laitteiden ohjekirjat. Täydennä käsikirjaa myöhemmin hankkimiesi laitteiden tiedoilla ja ohjekirjoilla. Omille muistiinpanoillesi on tilaa käsikirjan lopussa. Lue tämä käsikirja huolellisesti sekä tutustu tarkoin veneesi yksityiskohtiin ennen kuin lähdet vesille.

Mikäli tämä on ensimmäinen veneesi tai olet vaihtanut Sinulle uuteen venetyyppiin, varmistu siitä, että Sinulla on riittävä tuntuma ja kokemus sen käsittelyssä ennen kuin otat vastaan veneesi päällikkyuden. Tämä on todella tärkeää oman mukavuutesi ja turvallisuutesi vuoksi. Veneen myyjä, venekerhot, Suomen Purjehdus ja Veneily ja Suomen Navigaatioliitto antavat mielellään tietoja paikallisista veneilykouluista tai suosittelevat päteviä opettajia.

Käyttäjän käsikirja ei ole yksityiskohtainen huolto- tai vianetsintäopas. Ongelmatapauksissa ota yhteyttä veneen jälleenmyyjään. Käytä aina päteviä ja koulutettuja henkilöitä huoltoon, korjauksiin ja muutostöihin. Muutokset, jotka voivat vaikuttaa veneen turvallisuusominaisuuksiin, tulee arvioida, toteuttaa ja dokumentoida pätevien henkilöiden toimesta. Veneen valmistaja ei ole vastuussa muutoksista, joita se ei ole hyväksynyt.

Pidä veneesi aina hyvässä kunnossa ja ota huomioon, että se vaatii kunnossapitoa ja huoltoa. Mikä tahansa vene – riippumatta sen vahvuudesta – voi vaurioitua merkittävästi, mikäli sitä ei käytetä asianmukaisesti. Mukauta aina veneen nopeus ja suunta vallitseviin sääoloihin.

Toivotamme Sinulle mukavia ja rentouttavia hetkiä vesillä Yamarin Cross -veneesi kanssa!

Inhan Tehtaat, Inha Works
Hahdenniementie 2
FI-21120 Raisio
Finland

www.cross.boats

Säilytä tämä käyttäjän käsikirja varmassa paikassa ja luovuta se seuraavalle omistajalla, mikäli myyt veneesi.

Sisällysluettelo

1.	ENNEN KUIN LÄHDET	45
2.	Yleistä	46
2.1.	Vaatimustenmukaisuus vakuutus	47
3.	Määritelmät	49
4.	Takuu	49
5.	Ennen käyttöönottoa	50
5.1.	Rekisteröinti	50
5.2.	Vakuutukset	50
5.3.	Koulutus	50
6.	Veneen ominaisuudet ja käyttö	51
6.1.	Yleistä	51
6.2.	Veneen perustiedot	51
6.3.	Suurin suositeltu henkilömäärä	53
6.4.	Kuormitus	54
6.5.	Moottori ja potkuri	54
7.	Veden sisäänpääsyn estäminen ja vakavuus	54
7.1.	Rungon ja kannen läpiviennit sekä sulkuventtiilit	54
7.2.	Vakavuus ja kelluvuus	55
8.	Tulipalon tai räjähdysvaaran ehkäiseminen	56
8.1.	Tankkaaminen	56
8.2.	Palontorjunta	56
9.	Pääkytkin ja sulakkeet	57
10.	Käyttö	58
10.1.	Hallintalaitteet	58
10.2.	Hätäkatkaisin	58
10.3.	Vaihteet ja kaasu	58
10.4.	Moottorin rikikulman säätö	58
10.5.	Moottorin käynnistäminen	59
10.6.	Ajaminen	59
10.7.	Laituriin ajo ja laiturista lähteminen	60
10.8.	Kuomun käyttö	61
10.9.	Tuulilasin ja ohjauspulpettien väliset ovet	61
11.	Oikea käyttö – muut suositukset ja ohjeet	61
11.1.	Mies yli laidan	61
11.2.	Irrallisten varusteiden kiinnittäminen	62
11.3.	Ympäristön huomioonottaminen	62
11.4.	Veneen kiinnittäminen ja ankkurointi	62
11.5.	Hinaus	63
11.6.	Trailerikuljetus	63
11.7.	Telakointi	64
12.	Veneen ja varusteiden kunnossapito	65
12.1.	Veneen pesu ja vahaus	65
12.2.	Istuinyynyjen hoito-ohjeet	66
12.3.	Kuomun hoito-ohjeet	67
12.4.	Tuulilasin hoito-ohjeet	67
12.5.	Haponkestävien osien hoito-ohjeet	67
12.6.	Kaukohallintalaitteen hoito-ohjeet	67
12.7.	Ohjausjärjestelmän hoito-ohjeet	67
12.8.	Sähkökomponenttien hoito-ohjeet	67
12.9.	Pienet pintakorjaukset	67
13.	Veneen talvisäilytys	68
13.1.	Toimenpiteet ennen talvisäilytystä	68
13.2.	Toimenpiteet ennen vesillelaskua keväällä	69
14.	Järjestelyt	70
14.1.	Yleisjärjestelyt	70
14.2.	Polttoainejärjestelmä	71
14.3.	Ohjausjärjestelmä	72
15.	Sähköjärjestelmä	72
16.	Kytkentäkaavio	73

1. ENNEN KUIN LÄHDET

Tutustu tähän käyttäjän käsikirjaan.

Tarkista aina ennen vesille lähtöä ainakin seuraavat seikat:

Säätila ja ennuste

Ottakaa huomioon tuuli, aallokko ja näkyvyys. Ovatko veneenne suunnitteluluokka, koko ja varustus sekä päällikön ja miehistön taidot riittäviä sille vesialueelle, jolle olette lähdössä? Voimakkaassa tuulessa ja suuressa aallokossa luukkujen ja ovien tulee olla suljetut, jotta vesi ei pääsisi veneen sisälle.

Kuormitus ja vakavuus

Älkää ylikuormittako venettä, jakakaa kuorma oikein. Painavat esineet sijoitetaan takapenkin alla oleviin säilytystiloihin. Huomioikaa myös, että veneen vakavuus heikkenee, mikäli henkilöt seisovat veneessä.

Matkustajat

Varmista, että kaikille mukanaolijoille on kelluntapukine tai pelastusliivit. Sopikaa kunkin henkilön tarvittavat tehtävät matkan aikana ennen lähtöä.

Polttoaine ja polttoainejärjestelmä

Tarkistakaa, että polttoainetta on riittävästi; myös reserviä 20 % huonon sään tms. varalle.

Moottori ja ohjauslaitteet

Tarkistakaa ohjauksen ja kaukohallintalaitteen toiminta sekä kunto ja tehkää moottorin ohjekirjan mukaiset tarkistustoimet.

Veneen merikelpoisuus

Tarkistakaa veneen merikelpoisuus muutenkin: ei polttoaine- tai vesivuotoja, turvavarusteet mukana jne. Tarkistakaa, ettei veneen välipohjassa ole vettä.

Tavaroiden kiinnitys

Tarkistakaa, että kaikki tavarat on asetettu niin, että ne pysyvät paikoillaan myös merenkäynnissä ja kovassa tuulessa. Huomio, että istuintyynyt voivat lentää kyydistä, mikäli niiden nepparit eivät ole kiinnitettyinä.

Merikartat

Ellet kulje täysin tuttua reittiä, varmista että mukanasi on merikarttoja riittävän laajalta alueelta! Mikäli veneesi on varustettu karttaplotterilla, opettele käyttämään sitä ennen kuin lähdet vesille. Varmista, että merikartat ovat uusinta painosta.

Lähtömanööverit

Sopikaa miehistön kanssa, kuka irrottaa minkäkin köyden jne. Tarkistakaa etteivät kiinnitysköydet tai ankkuriköysi pääse potkuriin lähdön tai saapumisen aikana.

Pakolliset varusteet

Vesiliikennelainsäädännön mukaan jokaisessa moottorilla varustetussa vesikulkuneuvossa on oltava seuraavat käyttökuntoiset varusteet:

- 1) Hyväksytty pelastusliivi, kelluntapukine tai pelastuspuku kullekin veneessä olijalle. Ko. pukineen tulee kokoluokaltaan ja kantavuudeltaan vastata henkilön kokoa ja painoa.
- 2) Tyhjennysväline
- 3) Aivot tai mela tai ankkuri köysineen

- 4) Hyväksytty vähintään luokka 8A68B käsisammutin. Sammutin pitää tarkastuttaa kerran vuodessa. (Veneessä on vakiovarusteena hyväksytty sammutin. Huom! Koska sammutin asennetaan veneeseen sen valmistusvaiheessa, yhden vuoden voimassa oleva tarkastusleima voi mennä umpeen lyhyehkön ajan uuden veneen käyttöönoton jälkeen. Vesiliikennelainsäädännön mukaan veneen käyttäjä on vastuussa sammuttimen tarkastusleiman voimassaolosta).

Moottoria koskevia lisäohjeita saat sen erillisestä ohjekirjasta.

2. Yleistä

Käyttäjän käsikirja auttaa sinua tuntemaan uuden veneesi ominaisuuksia, hoitoa ja huoltoa. Veneeseen asennettujen laitteiden omat ohjekirjat on liitetty mukaan ja useissa kohdissa viitataan niihin. Voit täydentää käsikirjaa myöhemmin hankittujen laitteiden ohjekirjoilla. Omille muistiinpanoillesi on varattu tilaa käsikirjan lopussa.

Veneellä on juokseva sarjanumero CIN-koodi (Craft Identification Number). CIN-koodi on merkitty veneen runkoon oikealle puolelle uimatason alle peräpeiliin. Suosittelemme, että merkitsette CIN-koodin vaatimustenmukaisuuden vakuutukseen tähän kirjaan. Asioidessanne jälleenmyyjien kanssa, ilmoittakaa CIN-koodi sekä veneen tyyppi, niin oikeiden varaosien saanti helpottuu.

**EU-vaatimustenmukaisuusvakuutus huviveneen suunnittelun, rakenteen ja
melupäästöjen osalta direktiivin 2013/53/EU mukaisesti**
(Valmistaja tai valtuutettu edustaja täyttää)

Huviveneen valmistajan nimi: Inhan Tehtaat Oy Ab, Inha Works Ltd.

Osoite: Hahdenniementie 2

Kunta: Raisio Postinumero: 21120 Maa: Finland

Valtuutetun edustajan nimi (jos käytetty): _____

Osoite: _____

Kunta: _____ Postinumero: _____ Maa: _____

Suunnittelun ja valmistuksen arvioinnissa käytetty moduuli: A A1 B+C B+D B+E B+F G H

Ilmoitetun laitoksen nimi **suunnittelun ja valmistuksen arvioinnin osalta** (jos vaaditaan) DNV GL SE

Osoite: Brooktorkai 18

Kunta: Hamburg Postinumero: 20416 Maa: Germany Tunnusnumero: 0098

Ilmoitetun laitoksen sertifiikaatin¹ numero (jos käytetty): RCDB00000B9 Pvm: _____

Melupäästöjen arvioinnissa käytetty moduuli (jos käytetty): A A1 G H

Ilmoitetun laitoksen nimi **melupäästöjen arvioinnin osalta** (jos käytetty): _____

Osoite: _____

Kunta: _____ Postinumero: _____ Maa: _____ Tunnusnumero: _____

Ilmoitetun laitoksen sertifiikaatin¹ numero (jos käytetty): _____ Pvm: _____

Muut sovelletut yhteisön direktiivit: _____

HUVIVENEEN TIEDOT:

Vesikulkuneuvon tunnusnumero: FI - YAM46

Huviveneen merkki: Cross Malli tai tyyppi: 75 Bow Rider

Rakennetyyppi:

kiinteärunkoinen ilmatäytteinen kovapohjainen kumivene (RIB)

Runkotyyppi:

yksirunko monirunko

Rungon rakennusmateriaali:

alumiini, alumiiniseokset lujitemuovi
 teräs, teräseokset puu
 muu (tarkenna): _____

Huvivene Suunnitteluluokka suurimman suositellun henkilömäärän mukaan:

Suunnitteluluokka	Henkilömäärä	Suurin kuorma (kg)
A		
B		
C	9	1315
D		

Rungon pituus L_H 6,12 m

Rungon leveys B_H 2,26 m

Suurin syväys: 0,31 m

Kansi:

umpinainen
 osittain katettu
 avoin

Kulkuneuvon pääasiallinen käyttövoima:

purje, purjeiden projektiopinta-ala A_S _____ m²
 ihmisvoima
 kone/moottori
 muu (tarkenna): _____

Asennettu moottorityyppi (jos sovellettavissa) :

polttomoottori, diesel (CI)
 polttomoottori, bensiini (SI)
 polttomoottori, LPG/CNG
 sähkö
 muu (tarkenna): _____

Asennettu propulsiotyyppi (jos sovellettavissa) :

perämoottori
 sisämoottori akselivedolla
 Z- tai perävetolaite
 ruoripotkuri (pod drive)
 S-vetolaite (saildrive)
 muu (tarkenna): _____

Vetolaitteistossa kiinteä pakoputkisto (jos sovellettavissa): kyllä ei

Suurin suositeltu koneteho: 224 kW

Asennettu koneteho: _____ kW

Propulsiomoottoreiden lukumäärä: 1 #

Suurin suositeltu moottorin paino²: 313 kg

Tämä vaatimustenmukaisuusvakuutus on annettu yksin valmistajan vastuulla. Vakuutan valmistajan nimissä että yllämainittu huvivene täyttää direktiivin 2013/53/EU artiklassa 4 (1) ja liitteessä I määritellyt vaatimukset.

Nimi ja toimi: Juha Lehtola, CEO
(valmistajan tai valtuutetun edustajan puolesta allekirjoittamaan valtuutetun henkilön tunnistie)

Allekirjoitus ja titteli: _____
(tai vastaava merkintä)

Paikka ja aika (pp/kk/vvvv): 13.11.2020

¹ Dokumentti saattaa moduulista riippuen olla nimetty eri tavoin (A1: Stability and buoyancy report, B: EC type examination certificate, G: Certificate of conformity, etc.)

² Vain perämoottorilla varustetuille veneille

Olellaiset vaatimukset (viitaten Direktiivin Liitteen I numerointiin)	Harmonised standards Full Application	Harmonised standards Partial application, see tech. file	Other reference documents ³ Full Application	Other reference documents Partial Application, see tech. file	Other proof of conformity See technical file	Erittelet noudatetut yhdenmukaistetut ⁴ standardit tai muut tekniset eritelmat (sisältäen julkaisuvuoden, esim. "EN ISO 8666:2002")
	Rastita vain yksi kohta rivillä					
General requirements (2)						
Olellaiset tiedot - päämitat	<input checked="" type="checkbox"/>					ISO 8666:2002
Vesikulkuneuvon tunnusnumero - WIN (2.1)	<input checked="" type="checkbox"/>					EN ISO 10087:2006
Vesikulkuneuvon valmistajan kilpi (2.2)	<input checked="" type="checkbox"/>	<input type="checkbox"/>	<input type="checkbox"/>	<input type="checkbox"/>	<input type="checkbox"/>	2013/53/EU1A-2.2
Laidan yli putoamisen ehkäiseminen ja veneeseen uudelleen nouseminen (2.3)	<input checked="" type="checkbox"/>	<input type="checkbox"/>	<input type="checkbox"/>	<input type="checkbox"/>	<input type="checkbox"/>	EN ISO 15085:2003+A2:2018
Näkyvyys pääasiallisesta ohjailupaikasta (2.4)	<input checked="" type="checkbox"/>	<input type="checkbox"/>	<input type="checkbox"/>	<input type="checkbox"/>	<input type="checkbox"/>	EN ISO 11591: 2016
Omistajan käsikirja (2.5)	<input checked="" type="checkbox"/>	<input type="checkbox"/>	<input type="checkbox"/>	<input type="checkbox"/>	<input type="checkbox"/>	EN ISO 10240:2004 + A1 2015
Rakenteeseen, lujuuteen ja tiivyyteen liittyvät vaatimukset (3)						
Rakenne (3.1)	<input checked="" type="checkbox"/>	<input type="checkbox"/>	<input type="checkbox"/>	<input type="checkbox"/>	<input type="checkbox"/>	EN ISO 12215-3:2018, EN ISO 12215-4:2018, EN ISO 12215-5:2018, EN ISO 12215-6:2018
Vakavuus ja varalaita (3.2)	<input checked="" type="checkbox"/>	<input type="checkbox"/>	<input type="checkbox"/>	<input type="checkbox"/>	<input type="checkbox"/>	EN ISO 12217-1:2017, EN ISO 12217-3:2017
Kanto- ja kelluntakyky (3.3)	<input checked="" type="checkbox"/>	<input type="checkbox"/>	<input type="checkbox"/>	<input type="checkbox"/>	<input type="checkbox"/>	EN ISO 12217-1:2017, EN ISO 12217-3:2017
Rungon, kannen ja kansirakenteiden aukot (3.4)	<input checked="" type="checkbox"/>	<input type="checkbox"/>	<input type="checkbox"/>	<input type="checkbox"/>	<input type="checkbox"/>	EN ISO 9093-1:2018, EN ISO 12216:2018
Vedellä täytyminen (3.5)	<input checked="" type="checkbox"/>	<input type="checkbox"/>	<input type="checkbox"/>	<input type="checkbox"/>	<input type="checkbox"/>	EN ISO 11812:2018, EN ISO 15083:2003/A2:2018
Valmistajan suositus suurimmasta sallitusta kuormasta (3.6)	<input checked="" type="checkbox"/>	<input type="checkbox"/>	<input type="checkbox"/>	<input type="checkbox"/>	<input type="checkbox"/>	EN ISO 14946:2001/AC:2005
Pelastuslaittojen säilytys (3.7)	<input checked="" type="checkbox"/>	<input type="checkbox"/>	<input type="checkbox"/>	<input type="checkbox"/>	<input type="checkbox"/>	RCD Annex I 3.7
Poistumistie (3.8)	<input type="checkbox"/>	<input type="checkbox"/>	<input type="checkbox"/>	<input type="checkbox"/>	<input type="checkbox"/>	
Ankkurointi, kiinnittäminen ja hinaaminen (3.9)	<input type="checkbox"/>	<input type="checkbox"/>	<input type="checkbox"/>	<input type="checkbox"/>	<input type="checkbox"/>	EN ISO 11812:2018
Ohjailuominaisuudet (4)	<input checked="" type="checkbox"/>	<input type="checkbox"/>	<input type="checkbox"/>	<input type="checkbox"/>	<input type="checkbox"/>	EN ISO 11592-1:2016, RCD Annex I 4
Moottorit ja moottoritilat (5.1)						
Sisämoottorit (5.1.1)	<input type="checkbox"/>	<input type="checkbox"/>	<input type="checkbox"/>	<input type="checkbox"/>	<input type="checkbox"/>	
Tuuletus (5.1.2)	<input type="checkbox"/>	<input type="checkbox"/>	<input type="checkbox"/>	<input type="checkbox"/>	<input type="checkbox"/>	
Suojaamattomat osat (5.1.3)	<input type="checkbox"/>	<input type="checkbox"/>	<input type="checkbox"/>	<input type="checkbox"/>	<input type="checkbox"/>	
Perämoottorin käynnistyminen (5.1.4)	<input type="checkbox"/>	<input type="checkbox"/>	<input type="checkbox"/>	<input type="checkbox"/>	<input type="checkbox"/>	
Polttoainejärjestelmä (5.2)						
Yleistä polttoainejärjestelmästä (5.2.1)	<input checked="" type="checkbox"/>	<input type="checkbox"/>	<input type="checkbox"/>	<input type="checkbox"/>	<input type="checkbox"/>	EN ISO 8469: 2018, EN ISO 10088:2017
Polttoainesäiliöt (5.2.2)	<input checked="" type="checkbox"/>	<input type="checkbox"/>	<input type="checkbox"/>	<input type="checkbox"/>	<input type="checkbox"/>	EN ISO 21487:2018
Sähköjärjestelmä (5.3)	<input checked="" type="checkbox"/>	<input type="checkbox"/>	<input type="checkbox"/>	<input type="checkbox"/>	<input type="checkbox"/>	EN ISO 8849:2018, EN ISO 10133:2017
Ohjausjärjestelmä (5.4)						
Yleistä ohjausjärjestelmästä (5.4.1)	<input checked="" type="checkbox"/>	<input type="checkbox"/>	<input type="checkbox"/>	<input type="checkbox"/>	<input type="checkbox"/>	EN ISO 10592:2017, EN ISO 25197:2018, EN ISO 8848:2017
Varajärjestelmät (5.4.2)	<input type="checkbox"/>	<input type="checkbox"/>	<input type="checkbox"/>	<input type="checkbox"/>	<input type="checkbox"/>	
Kaasujärjestelmä (5.5)	<input type="checkbox"/>	<input type="checkbox"/>	<input type="checkbox"/>	<input type="checkbox"/>	<input type="checkbox"/>	
Palontorjunta (5.6)						
Yleistä palontorjunnasta (5.6.1)	<input checked="" type="checkbox"/>	<input type="checkbox"/>	<input type="checkbox"/>	<input type="checkbox"/>	<input type="checkbox"/>	EN ISO 9094:2017
Palontorjuntavälineet (5.6.2)	<input checked="" type="checkbox"/>	<input type="checkbox"/>	<input type="checkbox"/>	<input type="checkbox"/>	<input type="checkbox"/>	EN ISO 9094:2017
Merenkulkuvälineet, merkkikuviot ja äänimerkinantolaitteet (5.7)	<input checked="" type="checkbox"/>	<input type="checkbox"/>	<input type="checkbox"/>	<input type="checkbox"/>	<input type="checkbox"/>	EN ISO 16180:2018, 1972 COLREG
Päästöjen torjunta (5.8)	<input type="checkbox"/>	<input type="checkbox"/>	<input type="checkbox"/>	<input type="checkbox"/>	<input type="checkbox"/>	
Annex I.B – Pakokaasupäästöt⁵						
Annex I.C – Melupäästöt⁶						
Melupäästöjen tasot (I.C.1)	<input type="checkbox"/>	<input type="checkbox"/>	<input type="checkbox"/>	<input type="checkbox"/>	<input type="checkbox"/>	
Omistajan käsikirja (I.C.2)	<input type="checkbox"/>	<input type="checkbox"/>	<input type="checkbox"/>	<input type="checkbox"/>	<input type="checkbox"/>	

³Muut kuin yhdenmukaistetut standardit, säännöt, säädökset, ohjeistot,

⁴Euroopan unionin virallisessa lehdessä julkaistut standardit

⁵Katso moottorivalmistajan vaatimustenmukaisuusvakuutus

⁶Koskee vain veneitä joissa on sisä- tai sisäperämoottori ilman vetolaitteeseen sisäänrakennettua pakokaasujärjestelmää

3. Määritelmät

Tässä käsikirjassa olevat varoitukset ja huomautukset määritellään seuraavasti:

- VAARA!** Merkitsee, että on olemassa vakava vaaratekijä, joka johtaa suurella todennäköisyydellä kuolemaan tai pysyvään vammautumiseen, ellei asianmukaisiin varokeinoihin ryhdytä.
- VAROITUS!** Merkitsee, että on olemassa vaaratekijä, joka voi johtaa loukkaantumiseen tai kuolemaan, ellei asianmukaisiin varokeinoihin ryhdytä.
- HUOM!** Merkitsee muistutusta turvallisesta toimintatavasta tai kiinnittää huomiota vaaralliseen toimintatapaan, joka voi johtaa loukkaantumiseen, veneen tai sen osien vaurioitumiseen, sekä ympäristön vaurioitumiseen.

Käsikirjassa on käytetty SI-järjestelmän mukaisia yksiköjä. Joissain tapauksissa muita yksiköjä on lisätty sulkuihin. Poikkeuksena tästä on tuulen nopeus, joka on huvivenedirektiivissä esitetty boforeina.

4. Takuu

Veneellä ja sen varusteilla on 2 vuoden takuu, alkaen veneen käyttöönottopäivästä. Ota yhteys jälleenmyyjäsi mahdollisissa takuuasioissa. Muista ilmoittaa CIN-koodi. Mikäli mahdollista, ota reklamaatiokohteesta digitaalikuva. Se nopeuttaa yleensä takuuasioiden käsittelyä.

5. Ennen käyttöönottoa

5.1. Rekisteröinti

Vesikulkuneuvorekisterin mukaisesti vene jonka moottorin teho on yli 20 hv (15 kW) tai vene jonka pituus on vähintään 5,5 metriä, on Suomessa merkittävä vesikulkuneuvorekisteriin. Tarkemmat ohjeet rekisteröinnistä saat Trafilta (www.trafi.fi).

Rekisteröitävän moottorikäyttöisen vesikulkuneuvon kuljettajalta vaaditaan vähintään 15 vuoden ikä.

5.2. Vakuutukset

Venevakuutus voi korvata vesillä tai kuljetuksen ja telakoinnin aikana sattuvan vahingon. Varmista erikseen vakuutusvastuu venettä nostettaessa. Vakuutuksella on myös välillinen vaikutus turvallisuuteen, koska vakavan havarin sattuessa vesillä, voit keskittyä ennen kaikkea ihmisten pelastamiseen. Tarkempia tietoja eri vakuutusvaihtoehdoista antavat vakuutusyhtiöt. Varmista erikseen vakuutusvastuu venettä nostettaessa ja kuljettaessa!

5.3. Koulutus

Yamarin veneilykoulusta saat hyvät perustiedot ja taidot esimerkiksi veneen käsittelyyn ja navigointiin. Lisätietoja löydät osoitteesta: Yamarin.com/veneilykoulu

Veneilyä käsittelevää kirjallisuutta on runsaasti, navigointikursseja järjestävät:
Suomen Navigaatioliitto sekä kansalais- ja työväenopistot.

Veneilykouluista antavat tietoja:

Suomen purjehdus ja veneily.

Nämä antavat hyvän pohjan taidoillenne, mutta varmuus veneen käsittelyssä, navigoinnissa, kiinnittämisessä ja ankkuroinnissa saavutetaan vasta pitkän käytännön harjoittelun jälkeen.

6. Veneen ominaisuudet ja käyttö

6.1. Yleistä

Käyttäjän käsikirjan tarkoituksena ei ole olla täydellinen huolto-opas tai korjauskirja, vaan opastaa käyttäjää käyttämään venettä asianmukaisella tavalla.

Käsikirjan kuvissa ja piirroksissa voi esiintyä lisävarusteita tai maakohtaisia varusteita.

6.2. Veneen perustiedot

Huviveneet voidaan suunnitella neljään suunnitteluluokan (A, B, C ja D) huvivenedirektiivin 2013/53/EU mukaan. Vene on suunniteltu suunnitteluluokan C mukaisesti, joka tarkoittaa seuraavaa:

Vene on suunniteltu käytettäväksi olosuhteissa, joissa tuulen voimakkuus on enintään 6 boforia (n. 14 m/s) ja aallokko sitä vastaava (merkitsevä aallonkorkeus enintään 2 metriä). Tällaisia olosuhteita voidaan kohdata suojattomilla sisävesillä, jokien suistoissa, ja rannikkovesillä kohtalaisella säällä.

Merkitsevä aallonkorkeus on aallokon korkeimman kolmanneksen keskiarvokorkeus, mikä suunnilleen vastaa kokeneen havainnoijan arvioimaa aallonkorkeutta. Yksittäiset aallot saattavat olla kaksi kertaa tätä korkeampia. Jos merkitsevä aallonkorkeus on 2,0 metriä, on kaikkien aaltojen korkeuden keskiarvo noin 1,2 metriä.

Suurin suositeltu kuormitus: Katso *tekninen erittely*

Katso myös kohta 5.4 ”*Kuormitus*”.

Päämitat ja kapasiteetit: Katso *tekninen erittely*

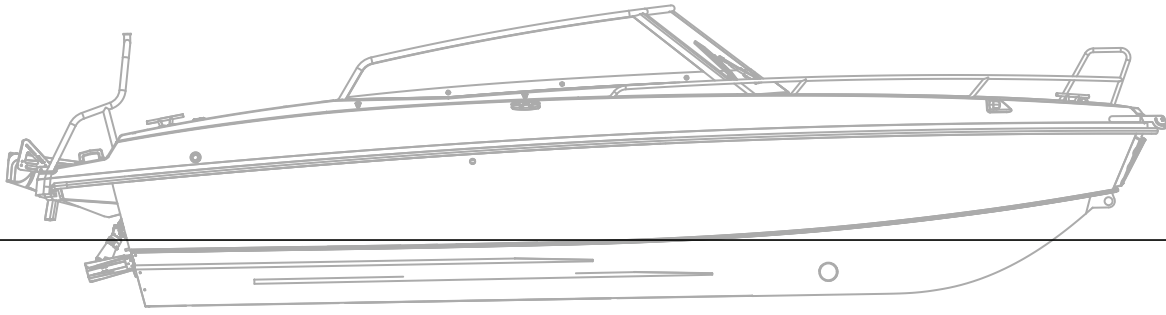
Veneen pituus, leveys, syväys, kokonaispaino, jne. sekä tankkikapasiteetit on esitetty teknisessä erittelyssä.

Valmistajan kilpi:

Veneeseen kaukohallintalaitteen läheisyyteen kiinnitetyssä valmistajan kilvessä on annettu osa em. tiedoista. Täydentävät selvitykset on annettu tämän käsikirjan asianomaisissa kohdissa.

Malli	YAMARIN Cross 75 Bow Rider
Suunnitteluluokka	C
Kokonaispituus (lukuun ottamatta uimaportaita)	7,37
Leveys	2,47
Paino ilman moottoria, nesteitä ja varusteita	1330kg
Suurin kuormitus/ Suurin henkilömäärä	9hlö / 1002kg
Maksimikuorma CE-kilvessä	Henkilöt ja kuorma 1002kg, perämoottori 313kg
Suurin koneteho	300hp / 224kW
Suurimman suositellun moottorin paino	313kg
Polttoainetankin tilavuus	300 L
Suorituskykytestissä saavutettu nopeus	48 Solmua

Tuotantoteknisistä syistä mitoissa, painoissa ja suorituskyvyssä voi esiintyä vaihtelua.



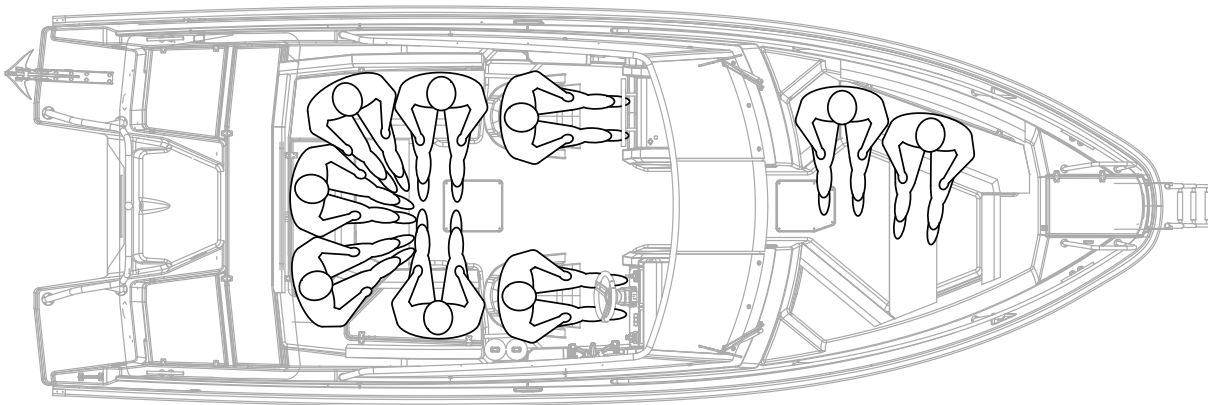
Vesilinja:	
- peräkulmassa (A)	160 mm palteesta ylöspäin
- keularangassa (B)	500 mm alaspäin keulasilmukan alareunasta keularankaa pitkin

HUOM! Mitat kertovat antifouling-värin ylärajan, eivät veneen todellista vesilinjaa.

6.3. Suurin suositeltu henkilömäärä

Veneen suurin suositeltava henkilömäärä on 9 henkilöä.

VAROITUS! Älä ylitä suurinta suositeltua henkilömäärää. Veneessä olevien henkilöiden lukumäärästä riippumatta henkilöiden ja varusteiden kokonaispaino ei saa koskaan ylittää suurinta suositeltua kuormitusta (katso kohta Kuormitus). Ajon aikana tulee kaikkien veneessä olevien henkilöiden istua istuinpaikoilla.



Veneen istuinpaikat.

HUOM! Jos lastaat veneen perästä keulaan päin, kuluttaa vene vähemmän polttoainetta.

6.4. Kuormitus

Veneen suurin sallittu kuormitus on 1227 kg. Tähän lasketaan kuuluvaksi seuraavat painot:

- venessä olevien henkilöiden yhteispaino 675 kg (yhden aikuisen oletuspaino 75 kg, lapsen 37,5 kg)
- kiinteissä säiliöissä olevien nesteiden (polttoaine) paino 225kg.
- Perusvarusteet 24kg
- Pelastuslautta 50kg
- Lasti 253kg

HUOM!

Suurin kuormitus sisältää vain edellä mainitut painokomponentit.

VAROITUS!

Kuormatessasi venettä älä koskaan ylitä suurinta suositeltua kuormaa. Lastaa vene aina huolellisesti ja jakakaa kuorma asianmukaisesti niin, että vene kelluu suorassa. Tavallisesti painavat tavarat tulee laittaa säilytystilaan takapenkin alle. Vältä sijoittamasta raskaita tavaroita korkealle.

6.5. Moottori ja potkuri

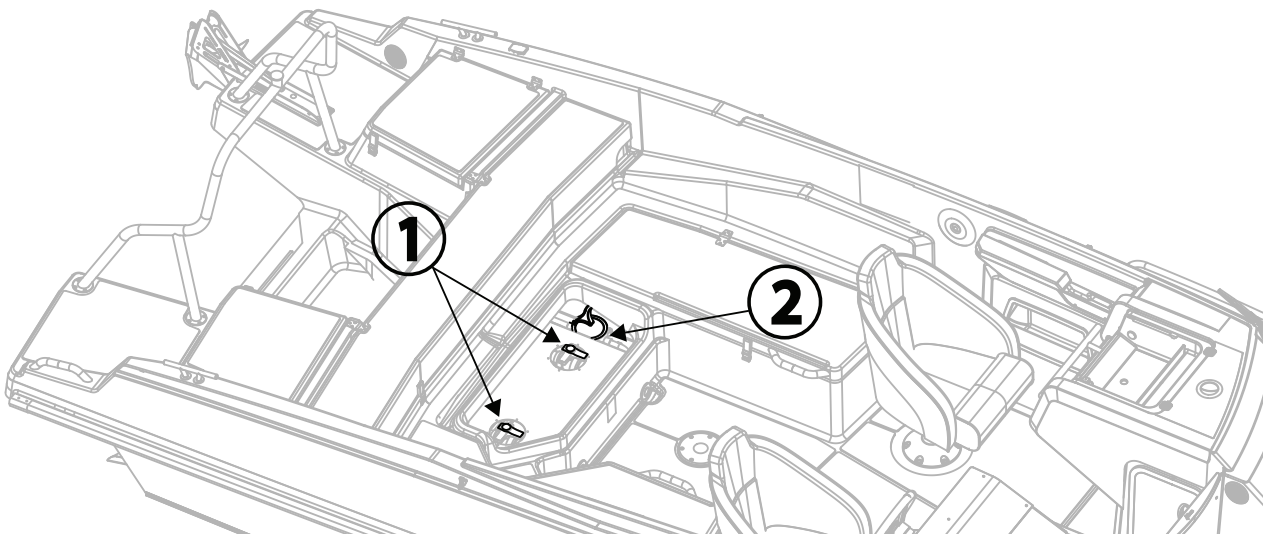
Veneen suurin suositeltava koneteho on 300 hv (223 kW). Veneen rakenteet eivät ole mitoitettu suuremmalle teholle kuin 300 hv. Veneen ajo-ominaisuudet voivat olla hengenvaarallisia, jos veneessä on suurempi moottori kuin 300 hv. Veneen takuu ei ole voimassa jos venettä käytetään suuremmalla teholla kuin 300 hv. Noudattakaa potkurin valinnassa jälleenmyyjän ohjeita.

7. Veden sisäänpääsyn estäminen ja vakavuus

7.1. Rungon ja kannen läpiviennit sekä sulkuventtiilit

Veneessä on sadevesityhjennys, joka tarkoittaa, että avotila tyhjenee sadevedestä kun vene on vesillä. Sadevesityhjennysjärjestelmä toimii myös maissa, kunhan keula on ylempänä kuin perä ja sadevesityhjennysventtiili on auki.

Sadevesityhjennysventtiili sijaitsee takapenkin säilytystilan lattiassa olevan huoltoluukun alla. Venttiili on tarkoitettu suljettavaksi vain suurimmalla sallitulla kuormalla mahdollisen veden sisäänpääsyn estämiseksi. **Muissa tapauksissa venttiilin tulee aina olla auki, jotta sadevesi pääsee tyhjentymään veneestä.**



1. Avotilan tyhjennyksen sulkuventtiili

2. Käsipilssipumppu

Veneeseen on asennettu käsikäyttöinen pilssipumppu seuraavan kuvan mukaisesti. Käsikäyttöisen pilssipumpun kapasiteetti on n. 0,7 l/pumppaus.

Veneeseen on asennettu sähköinen pilssipumppu.

Pilssipumpun kytkin on 2-toiminen:

- Automaattitoiminto
- Manuaalitoiminto

Pilssipumpun käydessä, kytkimessä palaa valo.

HUOM! Pidä pilssipumpun kytkin aina automaattiasennossa.

HUOM! Jos valo syttyy, tarkista veneen pilssitila ja tutki välittömästi syy vuotoon. Tee korjaavat toimenpiteet heti.

Veneen omistajan vastuulla on pitää veneessä vähintään 1 äyskäri tai ämpäri ja huolehtia, että ne on varmistettu häviämisen varalta.

VAROITUS!

Sulje tyhjennysputki aina, kun sen sisäpuolinen pää on kuormauksesta johtuen jatkuvasti vesilinjan alapuolella. Peräpeilissä oleva poistoaukon sulkuläppä estää veden sisääntulon vain peruutettaessa!

HUOM!

Huolehdi, että vesi pääsee esteettä virtaamaan ulos tyhjennysputkessa. Mahdolliset roskat, esim. syksyllä puun lehdet voivat estää veden virtaamisen, jolloin seurauksena vene voi täytyä vedellä ja upota. Tyhjennysjärjestelmä ei toimi pakkasella.

HUOM!

Välipohjaan kertyy aina hiukan kondenssivettä. Myös rungon läpiviennit saattavat päästä hiukan vettä läpi, varsinkin veneen vanhetessa. Muista tarkistaa veneen välipohja tarkistusluukun kautta aina ennen, kuin jätät veneen laituriin tai poijuun ja lähtiessäsi vesille. Mahdollisen veden voi tyhjentää tämän huoltoluukun kautta erillisellä putkimallin tyhjennyspumppulla (lisävaruste). Korjauttakaa mahdolliset vuodot valtuutetussa huoltoliikkeessä.

VAROITUS!

Veneen ajo-ominaisuudet voivat muuttua hengenvaarallisiksi jos veneen välipohjassa on vettä.

VAROITUS!

Kovassa kelissä luukut ja lokerot tulee pitää suljettuina vedellä täyttymisen estämiseksi.

7.2. Vakavuus ja kelluvuus

Huomaa, että veneen vakavuus heikkenee minkä tahansa korkealle lisätyn painon vaikutuksesta. Kaikki muutokset massojen sijoittelussa voivat vaikuttaa huomattavasti veneen vakavuuteen, trimmiin ja suorituskykyyn. Muista, että suuret murtuvat aallot ovat aina vakava vaara vakavuudelle.

- Pilssiveden määrä tulee pitää mahdollisimman alhaisena.
- Veneen vakavuus voi heiketä hinattaessa tai nostettaessa painavia esineitä.
- Vene kantaa siinä olevat henkilöt myös vedellä täytettynä.

8. Tulipalon tai räjähdysvaaran ehkäiseminen

8.1. Tankkaaminen

Ennen tankkauksen aloittamista sammuta moottori sekä tietenkin savukkeet. Tankkauksen aikana ei saa käyttää kytkimiä tai laitteita, jotka voivat aiheuttaa kipinöitä.

Pidä aina mukana reservipolttoainetta. Sopivia säilytystiloja varakanisterille ovat erityisesti taka-ankkuri-kotelo. Käyttäessäsi niitä, ei ole mitään riskiä, että kaasuuntunut polttoaine pääsisi kosketuksiin akkutilan tai sähköjärjestelmän kanssa.

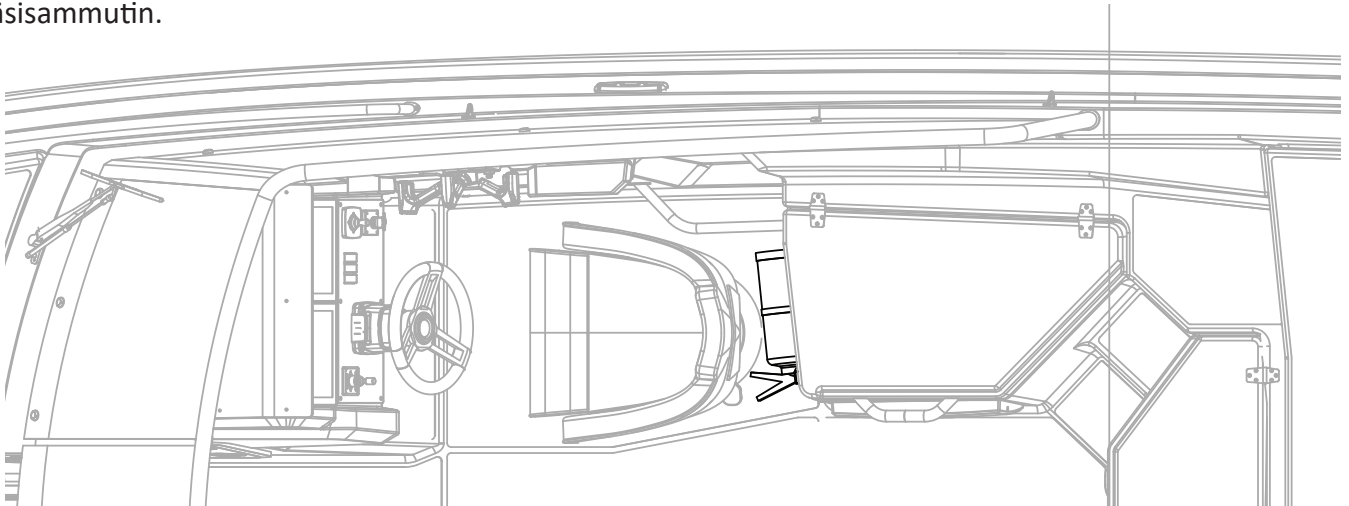
Älä säilytä takapenkin alla irrallisia tavaroita, jotka voisivat siirtyessään estää moottorin polttoaineensaannin. Tämä koskee erityisesti tavaroita, jotka voivat siirtyä polttoaineletkuja tai suodatinta vasten. Tarkista polttoaineletkut vuosittain, varsinkin läpivientien kohdat, ettei niissä ole kulumia.

Huomaa, että tankin täyttä kapasiteettia ei aina voida käyttää veneen trimmi- tai kallistuskulmasta riippuen.
VAROITUS!

Kaasuuntunut polttoaine on helposti räjähtävää. Noudata ehdotonta varovaisuutta ja näitä ohjeita tankkauksen yhteydessä. Polttoaineen haju merkitsee aina, että veneessäsi on kaasuuntunutta polttoainetta.

8.2. Palontorjunta

Vene on varustettu 2 kg:n käsiammuttimella, jonka luokka 8A 68 B on sammuttimien tehon vähimmäisvaatimus. Venettä käytettäessä on siinä aina oltava hyväksytty ja tarkastettu sammutin. Jotta sammuttimen toiminta olisi varmistettu, tulee se tarkastuttaa kerran vuodessa valtuutetulla tarkastajalla. Mikäli käsiammuttimia vaihdetaan, tulee tilalle hankkia sammutuskyvyltään vähintään vanhaa käsiammutinta vastaava käsiammutin.



Varmistukaa siitä, että palonsammutusvälineet ovat helposti saatavilla myös silloin, kun vene on kuormattu. Tiedottakaa kaikille miehistön jäsenille palontorjuntavälineiden sijainti ja toiminta.

Älkää koskaan:

- tukkiko pääsyä turvalaitteisiin, esim. sähköjärjestelmän katkaisijoille
- tukkiko pääsyä lokeroon sijoitetuille käsiammuttimille
- muuttako mitään veneen järjestelmää (erikoisesti sähkö- tai polttoainejärjestelmää) tai salliko asian-
tuntemattoman henkilön tehdä muutoksia mihinkään veneen järjestelmään
- tupakoiko käsitellessänne polttoainetta tai kaasua.

HUOM!

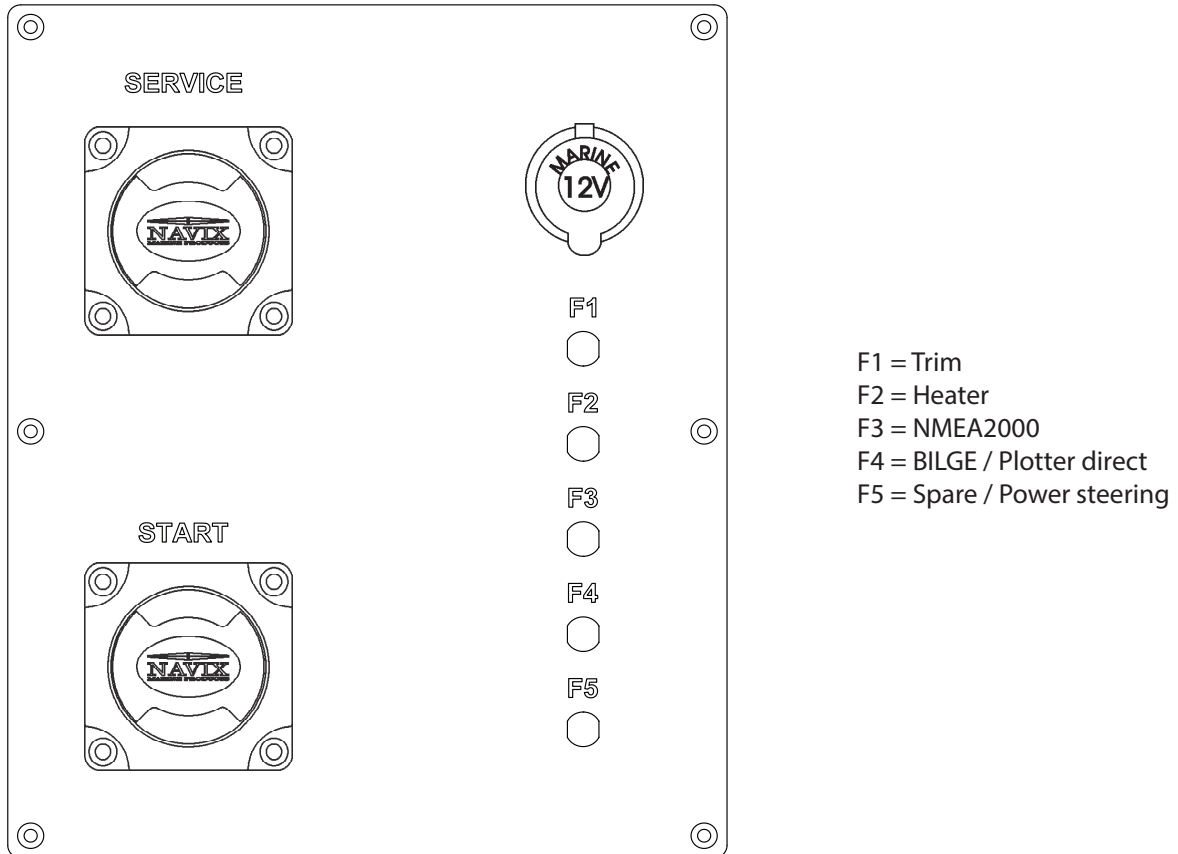
Pidä pilssi aina puhtaana ja tarkasta sekä korjaa mahdolliset polttoainevuodot.

9. Pääkytkin ja sulakkeet

Virtapiirien sulakkeet on sijoitettu pääkytkimen viereen. Älkää muuttako sulakkeiden ampeerilukuja tai asentako sähköjärjestelmään komponentteja, joilla virtapiirin nimellisampeeriluku ylittyy.

Pääkytkimen toiminta:

- vipu myötäpäivään -> virtapiiri kytketty
- vipu vastapäivään -> akku irti virtapiiristä



Pääkytkin ja sulakkeet.

F1 = Trimmilevyt
F2 = Lämmitin
F3 = NMEA2000-väylä

F4 = Pilssipumppu / Karttaplotteri
F5 = Tyhjä (/ Ohjaustehostin)

Kaikki sulakkeet ovat automaattisulakkeita. Vikavirran syntyessä automaattisulake laukeaa. Voit "kuitata" sulakkeen painamalla sen takaisin sisään. Jos sulake laukeaa uudestaan ulos, on sähköjärjestelmässä tai jossain komponentissa oikosulku. Veneen sähköjärjestelmän korjaaminen tulee antaa ammattitaitoisen sähköasentajan tehtäväksi.

HUOM!

Älä koskaan katkaise virtaa pääkytkimestä moottorin ollessa käynnissä! Tämä saattaa vahingoittaa moottorin sähköjärjestelmää.

HUOM!

Älä koskaan tee sähköasennuksia veneeseen mikäli virta on kytketty.

HUOM!

Asentaessasi lisävarusteita veneeseen, käytä *Tyhjää* virtapiiriä ja erillistä su-

laketta (automaattisulakkeille paikat F5). Kytke laite sekä virransyöttö-, että maadoitusjohtimiin. **Veneen runkoa ei saa käyttää maadoituspiirinä.**

HUOM!

Irrottaessasi tai kiinnittäessäsi akkuja, varo koskettamasta metalliesineellä samanaikaisesti akun molempia napoja tai veneen alumiinirunkoa.

10. Käyttö

Jos tämä on ensimmäinen veneesi tai sinulle uusi venetyyppi, ota ensimmäisillä kerroilla mukaasi henkilö, jolla on kokemusta vastaavasta veneestä.

HUOM!

Veneen suurin propulsioiteho on 225 kW (300 hv). Älä käytä venettä, jos siinä on suurempi koneteho, kuin valmistajan kilpeen merkitty koneteho.

10.1. Hallintalaitteet

Veneen hallitsemisen oppii nopeasti, mutta vaihtelevat olosuhteet, kuten tuuli ja aallokko, asettavat kuljettajan aina uusien tilanteiden eteen. Kaukohallintalaitteeseen on yhdistetty kaasua, vaihteet eteen ja taakse sekä moottorin rikikulman säätö.

10.2. Hätkäkatkaisin

Turvakytkin on laite, jonka toinen pää kiinnitetään kytkimeen, joka löytyy kaukohallintalaitteen alta ja toinen esimerkiksi pelastusliiveihin. Turvakytkin sammuttaa moottorin automaattisesti kun se irtoaa kytkimestä kaukohallintalaitteesta. On erittäin tärkeää, että vene pysähtyy, jos jostain syystä kuljettaja menettää tasapainonsa ja lentää pois ohjauspaikalta.

HUOM!

Älä koskaan käytä venettä kiinnittämättä turvakytkintä itseesi. Jos kiinnität turvakytkimen käsivarteesi, älä ohjaa venettä sillä kädellä, koska silloin turvakytkimen naru saattaa tarttua rattiin jyrkissä käännoksissä.

HUOM!

Moottori ei käynnisty ellei turvakytkin ole kiinnitetty kytkimeen kaukohallintalaitteesta.

VAARA!

Pyörivä potkuri on hengenvaarallinen veteen pudonneelle tai uimarille. Käyttäkää hätkäkatkaisijaa ja sammuttakaa moottori aina, kun uimari tai vesihiihtäjä nousee veneeseen.

10.3. Vaihteet ja kaasua

Saat kytkettyä vaihteen päälle painamalla vaihde/kaasukahvassa olevaa painiketta sormilla ylöspäin ja työntämällä tai vetämällä vaihde/kaasuvipua eteen tai taaksepäin sen mukaan, kumpaan suuntaan olet lähdeksä liikkeelle. Kun vaihde on kytkeytynyt, voit säätää veneen nopeutta samalla vaihde/kaasuvivulla.

Kun vene on hitaassa kulussa eteenpäin, voidaan peruutusta käyttää jarruna esimerkiksi laituriin ajossa. Muutoin kuin hitaassa kulussa eteenpäin, peruutusvaihdetta ei saa kytkeä päälle, koska se vahingoittaa moottoria.

10.4. Moottorin rikikulman säätö

Perussäännöt koneen rikikulman säädössä ovat seuraavat:

- Nostettaessa venettä liukuun pidä ”keula alas”-asento.

- Veneen ollessa liu'ussa aallokon ollessa pieni, nosta keulaa kunnes moottori ja vene kulkee kevyesti. Pienessä aallokossa moottoria trimmataan vähintään kolme pykälää ylös, trimmimittari löytyy kierroslukumittarista. Mikäli moottoria trimmataan liian ylös, veneen nopeus laskee. Mikäli ajetaan liian pienellä trimmillä, vene kulkee hitaasti ja moottori käy raskaasti. Hyvän polttoainetalouden saavuttamiseksi on tärkeää ajaa oikealla moottorin trimmillä (=oikea trimmikulma).
- Kovassa vasta-aallokossa laske keulaa alaspäin, jolloin kulku pehmenee.
- Myötääallokossa nosta keulaa ylöspäin, jottei se "sukeltaisi" aaltoihiin.
- Peruuttaessa, nosta trimmikulmaa vähän ylöspäin jotta moottori ui ylempänä.

VAROITUS!

Älä aja venettä suurilla nopeuksilla moottori ylöstrimmattuna, (= keula ylhäällä), koska riskinä on, että vene kallistuu rajusti potkurin osuessa ilmalennon jälkeen veteen suuressa aallokossa. Samaten ei tule ajaa suurilla nopeuksilla moottori täysin negatiiviseksi trimmattuna (= keula alhaalla), koska tämä voi johtaa siihen, että vene kallistuu äkkiarvaamatta veneen keulan osuessa veteen.

VAROITUS!

Aallot heikentävät veneen ohjailtavuutta ja kallistavat venettä. Ottakaa tämä huomioon vähentämällä nopeutta aallokon kasvaessa.

10.5. Moottorin käynnistäminen

1. Kytke virta päälle pääkytkimestä.
2. Laske moottori ajoasentoon painamalla peukalolla vaihde/kaasukahvassa olevaa Power Trim -kytkintä alas.
3. Tarkista, että vaihde/kaasukahva on vapaa-asennossa ja turvakytkin on kytketty kaukohallintalaitteen kytkimeen.
4. Kytke virta päälle käynnistämättä konetta ja odota pari sekuntia varoituslamppujen syttymistä.
5. Käynnistä moottori kiertämällä virta-avainta myötäpäivään, kunnes se starttaa. Mikäli kaikki on kunnossa, moottorin tulisi käynnistyä 1-2 sekunnin kuluessa. Mikäli moottori ei käynnisty, starttaamista ei tule jatkaa yli 10 sekuntia kerrallaan.
6. Kun moottori on käynnistynyt, anna sen käydä tyhjäkäynnillä muutama minuutti ennen kun lähdet ajamaan. (Katso moottorin käyttöohjekirja!)

Tarkemmat käyttöohjeet löydät moottorin ohjekirjasta.

10.6. Ajaminen

Kauniilla ja tyynellä säällä ajaminen on helppoa. Muista kuitenkin riittävän tähyystyksen välttämättömyys. Jotta ohjauspaikalta olisi mahdollisimman hyvä näkyvyys:

- sijoita matkustajat siten, ettei näkökenttäsi rajoitu
- älä aja kauaa liukukynnysnopeudella, jolloin keulan nousu haittaa näkyvyyttä
- huonossa näkyvyydessä tähyystä tuulilasin ylitse
- erityisesti laivaväylillä muista vilkuilla myös taaksepäin.

HUOM!

Käytä pimeän tullen kulkuvaloja.

Sovita aina nopeutesi vallitseviin olosuhteisiin sekä ympäristöön. Ota huomioon:

- aallokko (kysy myös matkustajien mielipidettä mukavasta nopeudesta)
- omat peräaaltosi (suurimpia liukuun nousussa, pienimpiä uppoumanopeudella, eli alle 5 solmua)

- riittävän tähytyksen jatkuva ylläpito
- näkyvyys (saaret, sumu, sade, vasta-aurinko)
- reitin tuntemus (navigointiin tarvittava aika)
- väistämissäännöt (muut vesilläliikkujat)
- reitin ahtaus (muut vesilläliikkujat, melu ja peräaallot rannoilla)
- varmista, että sinulla on aina törmäyksen välttämiseen tarvittava etäisyys, joka riittää veneen pysäyttämiseen tai väistämiseen

Hitaasti ajettaessa liukuvalla veneellä on heikompi suuntavakaus kuin kovemmassa vauhdissa. Ole siten tarkkana kapeikoissa ja varsinkin kohdatessasi toisia veneitä.

Opetelkaa meriteiden säännöt (esim. Editan julkaisemasta kirjasta ”Vesiliikenteen säädökset”) ja seurakaa niiden antamia ohjeita sekä COLREG:n (kansainväliset säännöt yhteentörmäämisen ehkäisemiseksi merellä) vaatimuksia. Navigoikaa huolellisesti ja käytäkää uusia tai päivitettyjä merikortteja.

Veneen kulkuasento vaikuttaa voimakkaasti ajo-ominaisuuksiin kuten myös polttoainekulutukseen, sekä näkyvyyteen ohjauspaikalta. Kulkuasentoon voit vaikuttaa:

- kuorman sijoittelulla. Yleissääntö on, että mahdollisimman vähän painoa keulaan.
- moottorin rikikulman säädöllä.

Oikea kulkuasento sopivaan nopeuteen yhdistettynä tekee myös aallokossa ajon mukavammaksi ja turvallisiksi.

VAROITUS!

Suuri nopeus ja äkilliset ohjausliikkeet saattavat johtaa veneen hallinnan menettämiseen ja suuriin kallistuskulmiin.

VAROITUS!

Venettä ei ole suunniteltu käytettäväksi alle 0 °C lämpötiloissa. Tällöin tyhjennysjärjestelmä jäätyy eikä se toimi suunnitellusti.

HUOM!

Venettä ei ole suunniteltu siihen, että sitä hyppyytetään aalloissa niin, että se irtoaa vedestä kokonaan. Takuu ei korvaa vaurioita, jotka ovat syntyneet ilmalennon johdosta. Mahdolliset ilmalennot voidaan tarkastaa moottorin historiikista huoltoliikkeen tietokoneen avulla.

10.7. Laituriin ajo ja laiturista lähteminen

Harjoittele veneen käsittelyä laiturin lähestymistilanteissa paikassa, missä on hyvää tilaa ennen kuin ajat venettäsi ahtaaseen satamaan ensimmäistä kertaa.

Kovin varovainen kaasuttaminen ei anna tarvittavaa ohjausvoimaa. Tehokkaat ohjausliikkeet laituriiin ajettaessa saadaan, kun kaasua käytetään napakasti, mutta lyhyitä jaksoja.

Pidä huoli, että kaikki veneessä olijat, joiden ei ole pakko seisoa, istuvat, kun käsittelet venettä laituriiin ajassasi. Äkilliset ohjausliikkeet voivat kallistaa venettä ja aiheuttaa loukkaantumisia.

Ennen laituriiin ajoa, varusta kiinnitysköydet valmiiksi keulaan ja perään. Lähesty laituria pienessä kulmassa keula edellä. Juuri ennen kosketusta laituriiin, käännä ohjaus laituria kohti ja vaihda peruutukselle. Kaasuta lyhyesti ja napakasti. Vene pysähtyy ja kääntyy laiturin suuntaiseksi. Jos mahdollista, aja laituriiin vastatuuleen tai vastavirtaan sen mukaan, kumpi on voimakkaampi. Silloin on helppoa lähteä jatkamaan matkaa, kun tuuli tai virta painaa veneen irti laiturista. Irtautumaan pääset parhaiten, kun työnnät ensin perän niin kauas laiturista kuin mahdollista. Peruuta sitten hitaasti irti laiturista selville vesille.

Potkuri on suunniteltu antamaan paras pitonsa eteenpäin ajettaessa. Peruutettaessa potkurin teho on siis heikompi. Vene ei myöskään tottele ohjausta peruutettaessa yhtä hyvin kuin eteenpäin ajettaessa.

VAROITUS!

Vene on nopea. Se ei pysähdy liu'usta hetkessä. Hidasta nopeutta ajoissa ennen rantaan tai laituriin ajoa. Opettele arvioimaan veneen pysähtymiseen tarvittava matka. Muista, että vene ohjautuu huonosti, jos veto ei ole päällä.

VAROITUS!

Älä yritä pysäyttää venettä käsivoimin, äläkä laita kättäsi tai jalkaasi veneen ja laiturin, rannan tai toisen veneen väliin! Harjoittele rantautumista hyvissä olosuhteissa! Käytä konevoimaa hillitysti mutta määrätietoisesti!

HUOM!

Kiinnittäessäsi venettäsi ota huomioon tuulen kääntyminen, vedenpinnan nousu tai lasku, peräaallot jne. Lisäohjeita saat mm. vakuutusyhtiöiltä.

10.8. Kuomun käyttö

Kuomu on mitoitettu kestämään enintään 30 solmun nopeuden vesillä ja vastaavasti 50 km/h maantiellä. Kaikki kuomun nepparit pitää olla kunnolla kiinni ajon aikana. Jotta saisit kuomun mahtumaan helpommin kuomukoteloon, suosittelemme, että otat kuomun sivut ja takaosan pois. Tämän jälkeen taitat sivujen yläosat kokonaan katon päälle niin, ettei jää kangasta kuomukaarien kulmien kohdalle. Lopuksi rullaat katto-osan ja sen päälle taivutetut sivuosat huolellisesti ja lasket kuomun alas.

HUOM!

Tuulilasin ja kuomun rakenne ei välttämättä ole täysin vesitiivis. Kuomun päällä ollessa veneeseen voi tulla vettä kuomun ja tuulilasin välistä.

10.9. Tuulilasin ja ohjauspulpettien väliset ovet

Ovet tulee aina pitää suljettuna ja lukittuna veneen ajon aikana.

VAROITUS!

Veneen ollessa paikallaan, isot aallot tai voimakas tuuli voivat johtaa siihen, että tuulilasin ovi yllättäen lyö kiinni. Tästä syystä on suositeltavaa pitää ovi kiinni kun veneessä ei liikuta.

11. Oikea käyttö – muut suositukset ja ohjeet

11.1. Mies yli laidan

Mies yli laidan – tilanne on aina vakava. Sitä kannattaa harjoitella etukäteen hyvällä säällä, sillä onnettomuuden sattuessa siihen ei ole mahdollisuutta.

Vene on varustettu kiinteällä uimaportaalla, jonka saa käyttöön myös vedestä käsin. Uimaporras aukeaa täyteen pituuteensa kääntämällä porras veneestä poispäin ja laskemalla teleskooppiosa alas. Varo uimaportaan teleskooppiosaa. Se voi liukua itsestään portaan laskuvaiheessa ulos ja nostovaiheessa sisään.

Veneestä veteen joutunut kannatta aina auttaa takaisin veneeseen perästä. Veneeseen kiinnitetty köysilenkki helpottaa nostamista. Veneen uimaportaat ulottuvat noin 30 cm veden alle.

On erittäin tärkeää säilyttää näkökontakti ja keskusteluyhteys pudonneeseen.

VAARA! Pyörivä potkuri on hengenvaarallinen veteen pudonneelle tai uimarille. Käytä hätäkatkaisijaa ja sammuttakaa moottori aina, kun uimari tai vesihiihtäjä laskeutuu veteen tai nousee veneeseen.

11.2. Irrallisten varusteiden kiinnittäminen

Kiinnittäkää kaikki painavat varusteet, kuten ankkurit, luotettavasti paikalleen ennen liikkeellelähtöä.

11.3. Ympäristön huomioonottaminen

Suomen saaristo ja järvet ovat ainutlaatuisia ja niiden luonnon säilyttäminen on veneilijänkin kunnia-asia. Vältä siis

- polttoaine- tai öljyvuotoja
- roskien tai jätteiden tyhjentämistä vesistöön tai jättämistä rannalle
- pesuaineiden tai liuottimien päästämistä veteen
- kovaa melua sekä vesillä että satamissa
- tarpeettoman korkeaa peräaaltoa erityisesti kapeikoissa tai matalissa vesissä.

Huolla moottorisi hyvin ja aja taloudellista nopeutta, jolloin myös pakokaasukaasupäästöt pysyvät pieninä.

Jokaista luonnossa liikkuvaa koskee ns. jokamiehen oikeus, jonka mukaan toisen mailla saa pihapiiriä lukuun ottamatta liikkua vahinkoa ja haittaa aiheuttamatta. Tämä oikeus sallii myös liikkumisen vesistöissä ja tilapäisen ankkuroimisen, uimisen ja maihin nousemisen asumattomaan rantaan, ellei sitä ole erikseen virallisesti kielletty. Asuttujen rantojen viereen ankkuriin jääminen on kiellettyä. Ilman lupaa ei myöskään saa kiinnittyä toisen laituriin tai asuttuun rantaan.

Tutustukaa kansainvälisiin sääntöihin merten saastumisen ehkäisemiseksi (MARPOL) ja kunnioittakaa niitä niin paljon kuin mahdollista.

Saarissa voi telттаilla, ellei se aiheuta maanomistajalle vahinkoa. Telttailu on kielletty lähellä piha-alueita ja viljelyksiä. Nuotion saa sytyttää vain, jos maanomistajalta on lupa. Veneilijät saavat myös poimia luonnonvaraisia marjoja ja sieniä, kunhan eivät vahingoita puita tai luontoa. Tarkasta oman alueesi säännöt luonnossa liikkumisesta.

11.4. Veneen kiinnittäminen ja ankkurointi

Kiinnittäkää veneenne aina suojaisaankin paikkaan huolellisesti, koska olosuhteet saattavat muuttua nopeasti. Kiinnitysköysien tulisi olla varustetut joustimilla nykäysten vaimentamiseksi. Katso kiinnityspisteet luvusta *Hinaus*. Käyttäkää riittävän suuria lepuuttimia hankautumisen estämiseksi.

Veneen keulassa oleva silmukka on tarkoitettu trailerikäyttöä varten. Kannessa oleva silmukka on tarkoitettu veneen lukitusta varten. Silmukoiden sijainti on esitetty kappaleessa 8.

HUOM! Varo, ettei lukko tai kettinki hankaa veneen kannen reunaa.

Veneen etupollareiden lujuus eteenpäin samoin kuin takapollareiden lujuus taaksepäin on vähintään 12,6 kN eli noin 1 300 kg. Köysien murtolujuuden tulisi olla pienempi kuin 1300kg, jotta köysi katkeaa ennen kuin pollari tai sen kiinnitys pettää.

Veneessä tulee käyttää ankkuria, jonka paino on 5 kg tai enemmän. Laske ankkuri riittävän kauas rannasta. Kohtuullinen pito saavutetaan kun köyttä on 4 - 5 kertaa veden syvyys.

VAROITUS!

Älkää yrittäkö pysäyttää venettä käsivoimin älkääkä laittako kättänne tai jalkaanne veneen ja laiturin, rannan tai toisen veneen väliin.

HUOM!

Kiinnittäessänne venettänne ottakaa huomioon tuulen kääntyminen, vedenpinnan nousu tai lasku, peräaalot jne. Lisäohjeita saatte mm. vakuutusyhtiöiltä.

HUOM!

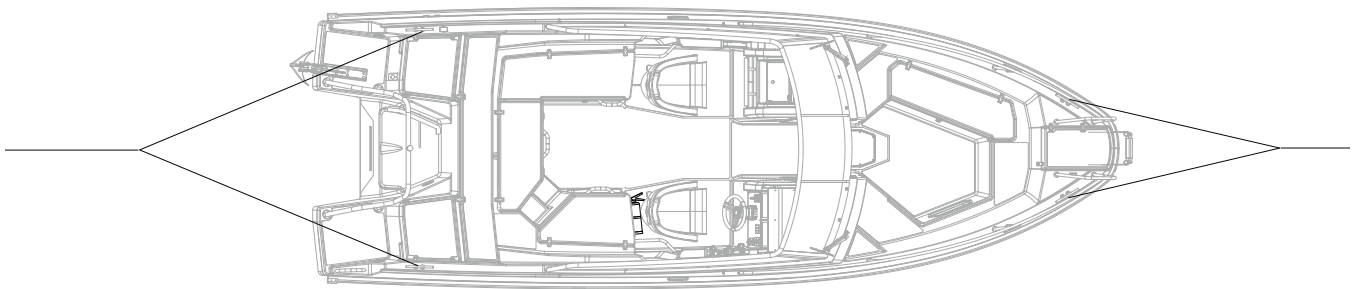
On omistajan / käyttäjän vastuulla tarkistaa, että veneen kiinnitys ja ankkurointivarustus on sopiva veneen tarkoitetulle käytölle.

11.5. Hinaus

Kun hinaat toista venettä, käytä riittävän vahvaa, kelluvaa hinausköyttä. Aloita hinaus varovaisesti, vältä nykäyksiä, älä ylikuormita moottoria.

Veneen omistajan tulee harkita, mitkä toimenpiteet ovat tarpeellisia veneen hinausköyttä varmistettaessa.

Kun hinaat tai jos venettäsi joudutaan hinaamaan, kiinnitä hinausköysi pollareihin seuraavan kuvan mukaisesti.



Hinausköyden kiinnittäminen pollareihin.

VAROITUS!

Hinausköysi on suuren jännityksen alainen. Jos se katkeaa, saattaa katkenneella päällä olla hengenvaarallinen nopeus. Käyttäkää aina riittävän paksua köyttä älkääkä oleskelko köyden vetolinjalla.

HUOM!

Kun hinaat tai olet hinattavana, käytä aina pientä nopeutta. Jos on kyse uppoumarunkoisesta veneestä, älä koskaan ylitä hinauksessa runkonopeutta. (Nopeus ennen kuin vene nousee liukuun).

HUOM!

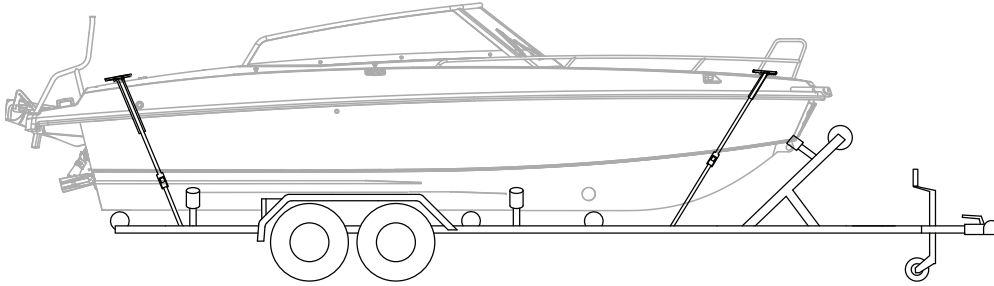
Hinausköysi tulee aina kiinnittää siten, että se on irrotettavissa kuormitettuna

11.6. Trailerikuljetus

Painotiedot trailerikuljetukseen löytyvät *teknisestä erittelystä*. Trailerin kölitukien tulisi kantaa suurin osa veneen painosta. Säädä sivutuet siten, ettei vene pääse heilumaan sivusuunnassa. Tarvittaessa kysykää lisätietoja jälleenmyyjältä oikeasta tuentatavasta ja trailerin koosta.

Puhdista tuet mahdollisesta hiekasta ja liasta, jotta ne eivät naarmuttaisi pohjaa. Tarkista vielä kerran, että trailerin ja auton vetonupin lukitus on varma!

Nostopaikan tulee olla suojainen ja traileriluiskan ulottua riittävän syvälle. Aja traileri niin syvälle, että takimmainen kölituki on juuri vedenpinnan alapuolella. Aja veneen keula varovasti kiinni takimmaiseen kölitukeen. Kiinnitä vinssin vaijeri hinaussilmukkaan ja kelaä vene trailerille huolehtien koko ajan siitä, että vene pysyy trailerin keskilinjalla suorassa. Jotta moottori ei osuisi pohjaan, muista trimmata moottori ylös ennen kuin nostat veneen trailerille.



Trailerikiinnitys.

Sido vene tiukasti kiinni traileriin ennen kuljetuksen aloittamista. Keulan liinat tulee suuntautua alas-taakse ja perän liinat alas-eteen. Älä jätä veneeseen irtonaisia tavaroita tai ylimääräistä kuormaa kuljetuksen ajaksi. Ota istuintyyny pois ja sulje kaikki luukut kunnolla.

Moottorin tulisi olla kuljetuksen aikana ajoasennossaan. Huolehdi kuitenkin riittävästä maavarasta. Jos maavara ei tässä asennossa riitä, moottorin voi kuljettaa kipattuna. Käytä silloin moottorin yläasennon lukitusta.

Pese ja huuhtelee vene heti kuljetuksen päätyttyä. Kiinnitä erityistä huomiota alumiinirungon pesuun ja huuhteluun kun tiet on suolattu. Alumiinirunkoon voi jäädä pysyviä jälkiä, jos tiesuolaa ei huuhdella pois. Mikäli venettä säilytetään trailerilla kuljetusten välillä, on liinat löysättävä säilytyksen ajaksi ja kiristettävä ennen seuraavaa kuljetusta.

HUOM!

Trailerin tulee olla hiukan etupainoinen. Sopiva aisapaino on 4 % trailerin kokonaismassasta, mutta kuitenkin vähintään 25 kg. Aisapaino ei kuitenkaan saa ylittää vetävän ajoneuvon valmistajan vetokoukulle määrittämää suurinta pystysuuntaista kuormaa. Varmista, että vene on kiinnitetty riittävän tiukasti traileriin ja että veneen paino jakautuu sivutuille tasaisesti. Jos heiluva vene iskeytyy kuljetuksessa yksittäistä tukea vasten, voi runko vaurioitua.

Laskiessasi venettä trailerilta muista kiinnittää keulaköysi valmiiksi veneeseen, jotta voit irrottaa trailerin vaijerin hinaussilmukasta heti, kun vene on vedessä. Varo vinssikampea!

11.7. Telakointi

Talvisäilytyspukin tulee olla riittävän kestävä juuri kyseiselle vene/moottori-yhdistelmälle. V-pukkien väliin tulisi laittaa vahva lankku (esim. 2x4"), joka tukee köliä ja kantaa suurimman osan veneen painosta. Sivutuet eivät saa kannatella venettä. Sivutuet eivät saa osua nousulistojen kohdalle ja pistekuormia tulee välttää. Tukirakenteen tulee olla varsinkin peräpeilin läheisyydessä vahva, jotta se kantaa myös moottorin painon.

Anna nosto tehtäväksi vain luotettavalle nosturiliikkeelle tai venetelakalle, jolla on riittävä nostokapasiteetti. Ota huomioon veneen omapainon (katso tekninen erittely) lisäksi veneessä olevat varusteet ja muu kuorma.

Kun venettä nostetaan on liinat laitettava pohjan alle ja huolehdittava, että vene pysyy noston aikana vaaka-suorassa.

HUOM! Venettä ei saa nostaa pollareista.

VAARA! Älä mene veneen alle, kun se roikkuu nosturin varassa.

12. Veneen ja varusteiden kunnossapito

Pidä veneesi ja sen varusteet puhtaina ja siisteinä. Se lisää viihtyisyyttä ja turvallisuutta sekä veneen jälleennyyntiarvoa.

Tutustu moottorin ohjekirjassa (liite) esitettyihin huoltotoimiin. Huollata moottorisi moottorin ohjekirjan mukaisesti.

12.1. Veneen pesu ja vahaus

Lasikuitupintojen puhdistus

Kannen hoidoksi riittää yleensä pesu ja vahaus. Pesuun sopivat parhaiten erityiset veneenpesuaineet. Älä käytä voimakkaita liuottimia, ne voivat himmentää pintojen kiiltoa. Hankaumien tai pinttyneen lian poistamiseen kannesta voit käyttää lievästi hiovia kiillotusaineita. Veneen alumiini- ja lasikuitupinnat voi pestä painepesurilla. Noudata pesu- ja hoitovälinevalmistajien käyttöohjeita. Alla olevat puhdistus- ja hoito-ohjeet koskevat Star brite- tuotteita, joita löydät hyvin varustetuista veneliikkeistä.

Yleisvinkki: Veneen pesu on helpompaa, kun vene pestään heti vedestä noston jälkeen.

HUOM!

Älä suihkuta vettä painepesurilla törmäyslistan alapuolella olevaan rungon ja liitoslaipan saumaan. Painepesurilla suihkutettu vesi voi vaurioittaa liimasaumaa.

HUOM!

Älä suihkuta vettä suoraan veneen ilmaritilöihin. Vesi voi tällöin mennä veneen sisälle ja rakenteisiin.

Veneen mittaristopaneeli, hansikaslokeron luukku ja etuankkuriboksin takaseinä ovat muovia ja ne voidaan pestä esim. saippuavedellä. Älä koskaan käytä niiden puhdistukseen liuottimia.

Alumiinirungon puhdistus

Pese ensin irtolika pois vesilinjan yläpuolisista osista *Star brite Boat Wash in a Bottle* – veneenpesuaineella (vahva tiiviste 3 korkillista / 10 litraa vettä). Kuivaa vene.

Vesilinja ja pohjan pesu suoritetaan yli +10 °C lämpötilassa kun veneen runko on täysin kuivunut. Käytä vesilinjan ja pohjan pesuun *Star brite alumiinin puhdistusainetta*, joka puhdistaa vesirajan ja pohjan vesikasvillisuudesta sekä liasta.

Star brite alumiinin puhdistusainetta on helppo käyttää: Kaada puhdistusainetta muovikämpäriin, harjaa veneen runko pystysuunnassa alhaalta ylöspäin ehkäistäksesi valumista. Anna puhdistusaineen vaikuttaa 1-2 minuuttia (ei kuitenkaan niin kauan että aine ehtii kuivua). Huuhtelee perusteellisesti. Puhdistusprosessia voi nopeuttaa ja tehostaa hankaamalla kohdetta vaikutusajan aikana sienellä tai harjalla. Jos työskentelet au-ringonpaisteessa, pese vain niin suuri alue kerrallaan että ennätät pestä sen ennen kuivumista.

Alumiinirungon suojaaminen

Kun alumiinirunko on täysin puhdas ja kuiva voidaan veneen alumiinirunko suojata hapettumista vastaan. Star brite alumiini suojakiilloketta sumutetaan käsiteltävälle pinnalle ja levitetään pehmeällä, nukkaamatomalla kankaalla. Suosittelemme Star brite alumiini suojakiillokkeen käyttöä heti uudelle veneelle ennen ensimmäistä vesillelaskua, jos haluat ehkäistä veneen alumiinipintojen hapettumisen. Alumiinipintojen hapettuminen on alumiinin luonnollinen reaktio korroosiota vastaan eikä vaikuta veneen ominaisuuksiin muuten kuin ulkonäöllisesti.

Yleisvinkki:

Vesijohtovedellä pestyyn veneeseen jää sen kuivuttua ohut, liitumainen kalkki- ja mineraalikerrostuma, joka johtuu veden kovuudesta. Tästä pääsee eroon sekoittamalla ämpärilliseen huuhteluvettä muutaman tipan mäntysaippualliuosta.

Yleisvinkki:

Vesihelmi- ja kalkkitahrat katoavat haponkestävistä kaiteista *Lemon Pled* – kalustesuihkeella.

Yleisvinkki:

Jos veneköydet tuoksuvat kauden jälkeen pahalta, upota ne pariiksi tunniksi vesiämpäriin, jossa on pullollinen omenaviinietikkaa ja loraus pyykinhuuhteluainetta. Anna kuivua kunnolla ja köydet ovat kuin uudet.

HUOM!

Varmistukaa, että käyttämänne puhdistus-, pintakäsittely-, ja suoja-aineet soveltuvat alumiinille ja muille käsittelemillenne pinnoille. Noudattakaa kemikaalin valmistajan antamia ohjeita.

Alumiiniset turkkilevyt (lisävaruste)

Alumiiniset turkkilevyt ovat mustaksi eloksoitua alumiinia.

Mustaksi eloksoitu alumiini haalistuu jonkin verran auringon paisteessa.

Takuu ei korvaa haalistuneita turkkilevyjä koska haalistuminen on ominaisuus eikä valmistusvirhe.

12.2. Istuintyynyjen hoito-ohjeet

Suojaa aina veneen avotilan tyynyjä sateelta kuomulla tai satamapeitteellä. Vaikka istuintyyny ja kuljettajan istuin on tehty vedenkestävästä materiaalista, niiden saumat päästävät vettä läpi. Jos tyynyt ovat pitemmän ajan kosteina, ne homehtuvat ja menevät pilalle. Jos patjat kastuvat märiksi, voi kankaan irrottaa avaamalla patjassa olevan vetoketjun ja kuivattaa esim. auringonpaisteessa, huoneenlämpötilassa tai saunassa (max + 50 °C). Takuu ei korvaa istuintyynyjä, jotka ovat pilaantuneet sateesta tai kosteudesta.

HUOM!

Jotta veneen istuintyyny säilyisivät hyväkuntoisina talven yli, niitä pitää säilyttää kuivassa ja hyvin tuuletussa tilassa.

HUOM!

Märkiä tyynyjä ei pidä laittaa säilytystiloihin, koska ne homehtuvat helposti.

HUOM!

Erillisistuimissa tulee käyttää suojahuppua aina, kun venettä ei käytetä. Mikäli istuimet ovat kastuneet käytön aikana, tulee ne kuivata huolellisesti ennen suojahupun asettamista. Erityisesti istuintyynyn alle jää helposti kosteutta.

Istuintyynyjen nepparit pitää käsitellä silikonivaseliinilla silloin tällöin, muuten ne saattavat tarttua kiinni niin lujasti, että kangas voi mennä rikki niitä irrottaessa. Takuu ei korvaa rikottuja istuintyynyjä. Laita hyvin vähän silikonivaseliinia keralla, jotta tyynyt eivät sotkeutuisi.

12.3. Kuomun hoito-ohjeet

Säilytä kuomu talven yli kuivassa ja hyvin tuuletetussa tilassa. Takuu ei korvaa rikottuja kuomuja.

12.4. Tuulilasin hoito-ohjeet

Veneen tuulilasi ja pulpettien väliset keskiovet ovat akryylia ja niitä voi pestä saippuavedellä (esim. autos-hampoo). Älä käytä liuotinaineita akryyliin.

Yleisvinkki:

Kun peset veneen tuulilasin, vältä kuivaamisessa pyörivää liikettä. Se jättää lasille ikäviä pyörretahroja, jotka näkyvät vastavalossa ja haittaavat näkyvyyttä. Käytä sanomalehtiä tai puuvillariepua ja pyyhi pesujäljet ensin vaaka- ja sitten pystysuuntaisesti. Toista muutaman kerran ja ikkunat sädehtivät.

12.5. Haponkestävien osien hoito-ohjeet

Säilyttääkseen veneen haponkestävät osat, kuten kahvat, kaiteet ja pollarit kirkkaina ja uudenveroisina, on veneen omistajan pidettävä osat puhtaina ja vahattuina. Myös kaiteiden kiinnityslaippojen reunoja tulee pudistaa. Lika, joka jää laipan reunan alle alkaa vähitellen näyttämään ruosteelta. Ellei mitään vaurioita tapahdu, on osat puhdistettava ja vahattava vähintään kaksi kertaa kesässä. Myös syksyllä, kun vene siirretään talvivarastoon, on kaiteet puhdistettava ja vahattava.

12.6. Kaukohallintalaitteen hoito-ohjeet

Kaukohallintalaite ei normaalisti tarvitse muuta huoltoa kuin rasvaamisen ja säädön talvihuollon yhteydessä. Jos kaukohallintalaite jostain syystä muuttuu jäykäksi, sitä pitää huoltaa välittömästi.

12.7. Ohjausjärjestelmän hoito-ohjeet

Veneessä on kaapeli ohjaus, joka ei normaalisti vaadi muuta huoltoa kuin voitelun ja tarkistuksen vuosihuollon yhteydessä. Jos ohjaus tuntuu jäykältä tai se takertelee, on se huollettava välittömästi.

12.8. Sähkökomponenttien hoito-ohjeet

Sähkökomponentit kuten pääkytkin, kaikki muut katkaisimet, liittimet eivät normaalisti vaadi huoltoa jos venettä talvisäilytetään kuivassa ja hyvin tuuletetussa paikassa. Jos kuitenkin haluat suojata veneen sähkökomponentteja hapettumista vastaan teet sen parhaiten suihkuttamalla niiden kosketuspinnat kosteuden- ja korroosionestoaineella.

12.9. Pienet pintakorjaukset

Pienet pintavauriot veneen kannessa voit korjata itse. Siistin ja huomaamattoman lopputuloksen aikaansaa- minen vaatii kuitenkin taitoa:

1. Suojaa korjattavan alueen ympäristö teipillä.
2. Hio kolhun reunat viistoiksi ja puhdisti asetonilla.
3. Jos vaurion syvyys on yli 2 mm kannattaa täyttää kitillä ennen maalausta.
4. Sekoita topcoatiin 1.5-2 % kovetinta.
5. Levitä topcoat korjattavaan kohtaan niin, että pinta jää hiukan ympäröivää pintaa korkeammalle.
6. Aseta varovasti teippi korjauksen päälle.
7. Topcoatit kovetuttua irrota teippi ja tarvittaessa hio paikkaus siistiksi 600:n ja 1200:n vesihiomapa- perilla.
8. Kiillota korjaus hiomatahnalla ja vahalla.

Veneessä käytetyt värisävyt on esitetty *tekniisessä erittelyssä*. On hyvä tietää, että veneen valmistuksen yh- teydessä on käytetty gelcoat-nimistä maalia, mutta jälkepäin pintaa korjataan kuitenkin aina topcoat-ni-

misellä maalilla. Gelcoat-maali ei kovetu ilman muottipintaa, mutta topcoatiin on lisätty parafiiniä, joka mahdollistaa kovettumisen.

VAROITUS!

Ole varovainen kun käsittelet kovetinta. Jos kovettaja-astia/pullo vuotaa tai jos sitä tippuu esim. likaiselle lattialle tai rätille on riski erittäin suuri, että rätti syttyy palaamaan. Varo heittämästä roskasäiliöön rättejä tai astioita, joissa on topcoat/kovettaja-sekoitusta. Käytä aina suojalaseja kun käsittelet topcoattia tai kovettajaa. Jos saat kovettajaa silmiin, sinun pitää välittömästi huuhdella vesijohtovedellä ja sen jälkeen käydä lääkärissä.

HUOM!

Jälkiasennukset ja muutostyöt voivat väärin tehtyinä aiheuttaa vahinkoa veneen rakenteelle tai olla vaaraksi turvallisuudelle. Ota yhteys jälleenmyyjään, mikäli suunnittelet muutoksia veneeseen.

HUOM!

Lisävarusteita asennettaessa on tärkeää muistaa käyttää alumiinista tai haponkestävästä teräksestä valmistettuja niittejä ja ruuveja. Veneen peräpeiliin on tehty valmiit asennuspaikat kaikuluotaimen anturille.

HUOM!

Asennettaessa lisävarusteita alumiinipinnalle (**muihin kuin valmiiksi määritettyihin paikkoihin**) käytä aina kiinnittämiseen alumiinisia popniittejä sekä sähköä johtamattomia aluslevyjä lisävarusteen asennuspinnan ja alumiinipinnan välillä korroosion minimoimiseksi.

13. Veneen talvisäilytys

Veneen talvitelakointi on Suomessa jokasyksystä rutiinia. Nosta veneesi maihin hyvissä ajoin ennen jäiden tuloa. Venettä ei ole mitoitettu jäissä ajoa varten eikä tarkoitettu käytettäväksi alle 0 °C lämpötiloissa (esim. sadevesityhjennysjärjestelmä jäätyy). Talvitelakoinnin yhteydessä on hyvä käydä läpi kaikki huolto-, korjaus- ja tarkistustoimet.

Tutustu moottorin ohjekirjassa esitettyihin huoltotoimiin. Suosittelemme, että annat ne valtuutetun huoltoliikkeen tehtäväksi. Muista myös kaukohallintalaitteen ja ohjausjärjestelmän huoltotoimet. Suorita näiden huolto erillisten ohjeiden ja ohjekirjojen mukaisesti.

13.1. Toimenpiteet ennen talvisäilytystä

Nosta veneesi maihin hyvissä ajoin ennen jäiden tuloa. Venettä ei ole mitoitettu jäissä ajoa tai säilytystä varten.

Pese veneen pohja heti maihin noston jälkeen. Levä ja lima irtoavat helpoimmin, kun ne eivät ole päässeet kuivumaan.

Tee moottorille ja muille laitteille talvihuolto erillisten ohjekirjojen mukaisesti. Jos varastoit veneesi talven yli ulkosalla tai kosteissa tiloissa, tyhjennä se tekstiileistä ja muista varusteista, jotka voivat homehtua tai muuten mennä pilalle kosteudessa. Pese köydet makeassa vedessä. Uusi kuluneet köydet. Jätä läpivientien venttiilit auki. Irrota ja jätä tyhjennystulppa irti talven ajaksi.

Sähköiset instrumentit suojaat parhaiten sekä hapettumista että varkaita vastaan irrottamalla ja viemällä ne kuiviin sisätiloihin talven ajaksi. Irrota akut ja varastoi ne lämpimässä, kuivassa paikassa. Lataa niitä talven aikana ainakin kaksi kertaa. Suihkuta sähköjärjestelmän liittimet tarkoitukseen sopivalla kosteuden- ja korroosionestoaineella.

Peitä veneesi niin, ettei vettä tai lunta pääse kertymään veneen sisälle. Huolehdi kuitenkin aina riittävästä tuuletuksesta. Lisävarusteena on saatavissa talvisuoja veneellesi.

HUOM!

Varmista, että talvisäilytyspeite tai sen hihnat eivät kosketa veneen alumiinirunkoa. Alumiinirunkoon jää mustat jäljet, jos talvisäilytyspeite tai sen hihnat pääsevät hirttämään runkoa.

13.2. Toimenpiteet ennen vesillelaskua keväällä

Korjatkaa tai korjauttakaa mahdolliset gelcoatissa olevat kolhut kohdan 6.9 mukaisesti.

Merialueilla tulee kasvillisuuden kiinnittyminen pohjaan estää antifouling-värillä. Pohjan ja erityisesti potkurin likaantuminen lisää polttoaineenkulutusta huomattavasti. Jos kuitenkin venettä säilytetään joen suistossa, Perämerellä, tai nostetaan vedestä vähintään noin kahden viikon välein, ei antifouling-väriä tarvita. Seuratkaa maalatessanne huolellisesti maalinvalmistajan ohjeita. Jos hiotte vanhaa antifouling-väriä, muistakaa, että syntyvä hiomapöly tai -liete on myrkyllistä. Järviolueella ei tarvita antifouling-väriä.

HUOM!

Älä maalaa sinkkianodeja, trimmitasojen hydraulisynterierien männänvarsia tai kaikuluotaimen anturia. Älä käytä alumiiniosissa lyijy- tai kuparipitoisia maaleja. Seuraa maalinvalmistajan ohjeita. Takuu ei korvaa lyijy tai kuparipitoisten antifouling-värien rungolle aiheuttamia vahinkoja.

Yleisvinkki:

Käytettyä maalisivellintä ei kannata heittää pois. Kovettuneen antifouling- maalisiveltimen saa kelpolliseksi, kun liottaa sitä pari tuntia seoksessa, jossa on kaksi litraa kuumaa vettä, desilitra etikkaa ja puoli desilitraa leivinjauhetta.

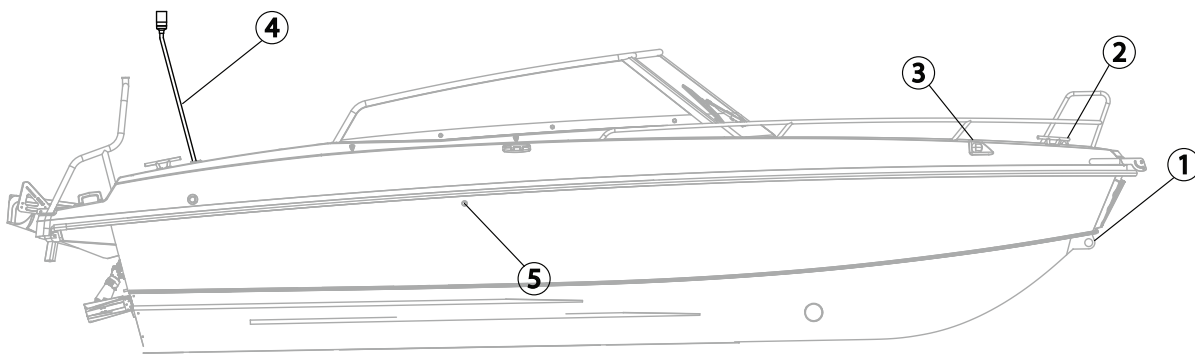
Tee moottorin vaatimat huoltotoimet moottorin ohjekirjan mukaisesti. Tarkista sähkölaitteiden toiminta ja poista hapettumat sulakkeiden ym. liitoksista.

Muista, että bensiini vanhentuu, keväällä pitää aina käynnistää tuoreella bensiinillä.

Laskettuasi veneen vesille avaa kaikki läpivientien venttiilit ja tarkista, ettei letkuissa tai liittimissä ole vuotoja. Läpivientien sijainti on esitetty luvussa 5. Tuo turvavarusteet veneeseen ennen vesille lähtöä.

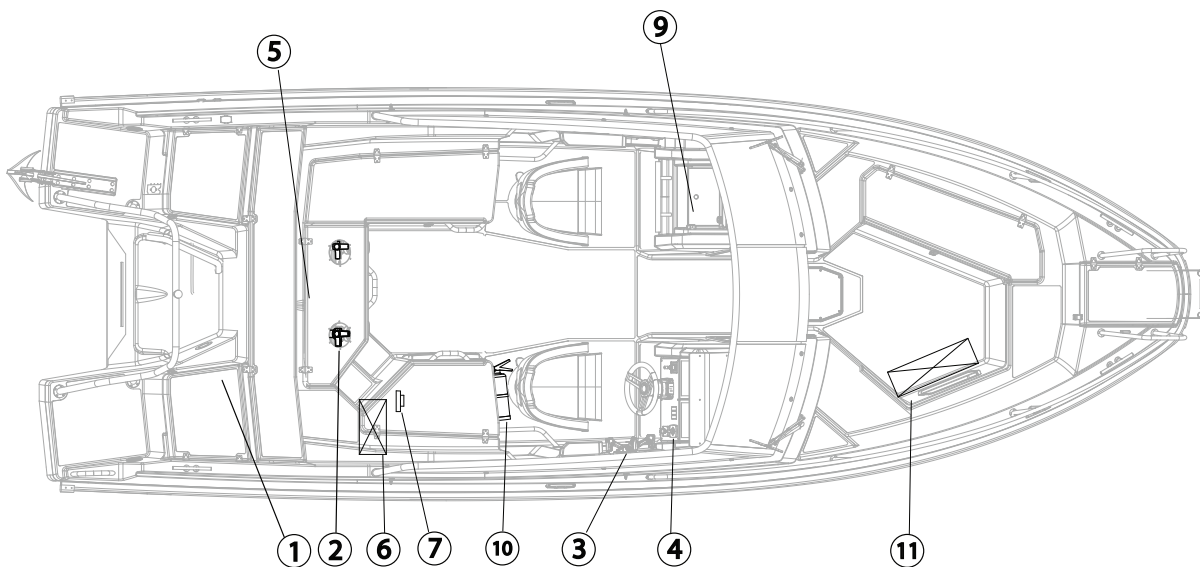
14. Järjestelyt

14.1. Yleisjärjestelyt



- 1. Keulasilmukka
- 2. Lukitussilmukka
- 3. Kulkuvalo

- 4. Valomasto
- 5. Polttoainetankin huohotinhela



- 1. Polttoaineen täyttöhela
- 2. Sadevesityhjennyksen venttiili
- 3. Kaukohallintalaite
- 4. Virtalukko
- 5. Polttoainesuodatin

- 6. Akku (ei veneen vakiovaruste)
- 7. Pääkytkin
- 8. Sulaketaulu
- 9. Hansikaslokeri
- 10. Sammutin

- 11. Pelastuslautta

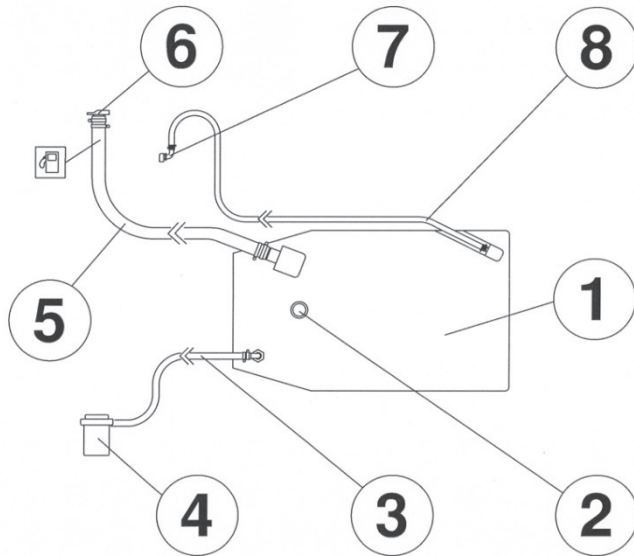
VAROITUS!

Käsitelkää veneen luukkuja varoen ja välttää jättämästä sormianne tai varpaitanne niiden väliin.

Vene on varustettu kiinteällä polttoainesäiliöllä. Polttoainelinjaan on asennettu polttoainesuodatin. Suodatin sijaitsee takapenkin alla, kuljettajan puoleisella reunalla. Suodatin pitää vaihtaa vähintään kerran vuodessa. Kun uusi suodatin tai paikaltaan pois ollut suodatin on asennettu paikoilleen, täytyy polttoainelinja pumpata täyteen polttoaineletkun pallopumpulla ennen koneen käynnistämistä.

HUOM!

Polttoaineletkujen kunto on tarkistettava vuosittain ja niiden vaurioituminen on pyrittävä estämään. Vialliset polttoaineletkut on välittömästi vaihdettava. Jos vaihdatte polttoaineletkuja, varmistakaa, että niissä on ISO 7840 -merkintä.



- | | |
|-----------------------------|-----------------------------------|
| 1. Polttoainetankki | 5. Polttoainetankin täyttöletku |
| 2. Polttoainetankin anturi | 6. Polttoaineen täyttöhela |
| 3. Polttoaineen syöttöletku | 7. Polttoainetankin huohotinhela |
| 4. Polttoainesuodatin | 8. Polttoainetankin huohotinletku |

Polttoainetankin täyttöhela sijaitsee veneen perästä katsottuna moottorikaivon oikealla puolella.

14.3. Ohjausjärjestelmä

Yamarin Cross 75 BR on varustettu hydrauliohjauksella.

Hydrauliletkujen pituudet ovat:

- 2 x 2,5 m

- 2 x 3,5 m

HUOM!

Jos vaihdat jonkun ohjausjärjestelmään kuuluvan komponentin sinun tulee tietää, että kaikkien komponenttien tulee täyttää ISO 10592 standardin vaatimukset ja olla CE-merkittyjä.

15. Sähköjärjestelmä

Yamarin Cross 75 BR:n sähköjärjestelmä sisältää seuraavat pääosat:

1. Johtosarja
2. Pääkytkin
3. Katkaisija
4. 2kpl 12V -ulosottoja
5. Kulkuvalot

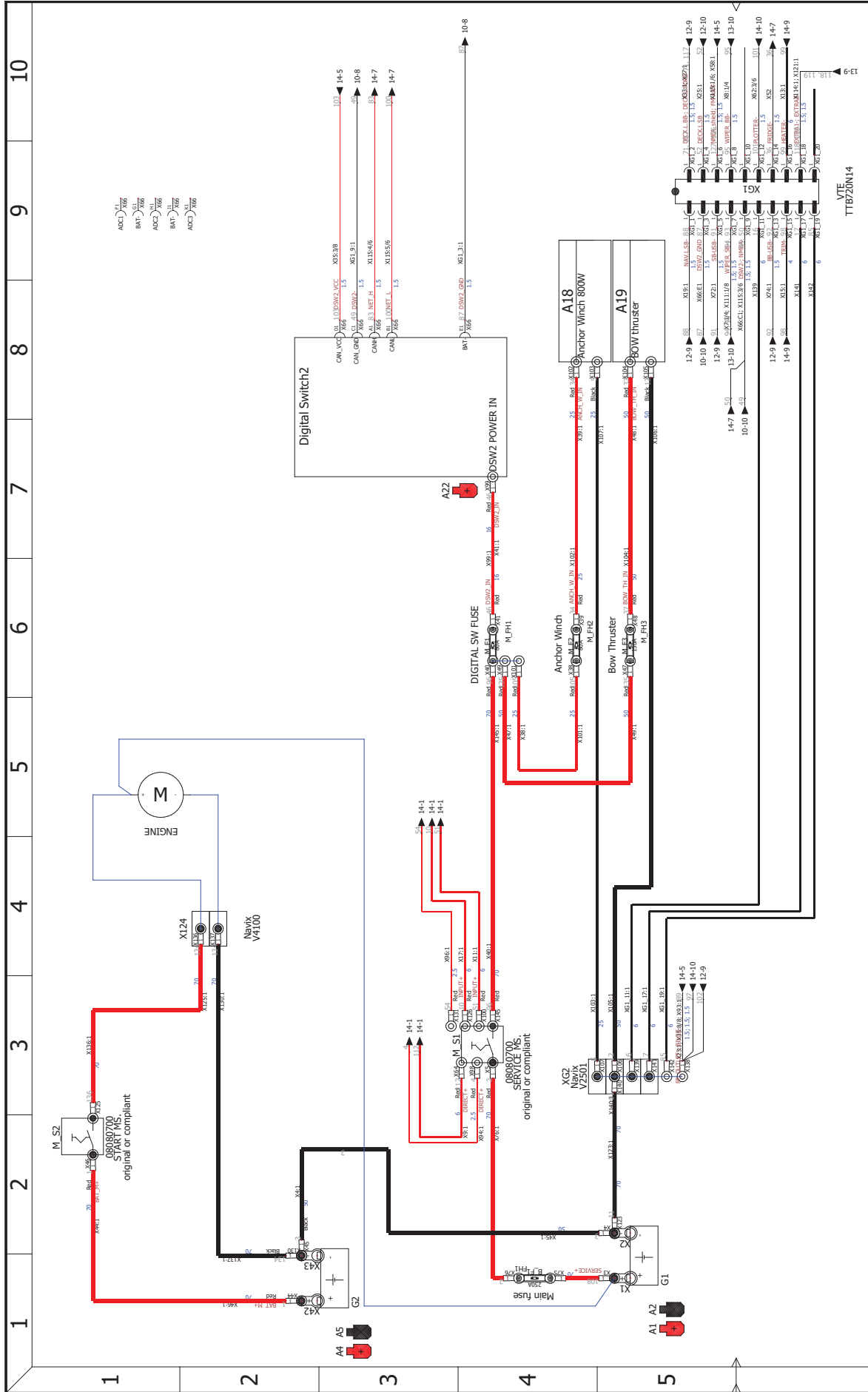
Lisäksi veneen sähköjärjestelmään kuuluu olennaisesti myös moottori, joka toimii sekä virran lähteenä että kuluttajana.

Katkaiskaa virta pääkytkimestä aina kun jätätte veneen pidemmäksi aikaa. Katkaiskaa virta myös siinä tapauksessa, että teette sähköasennuksia.

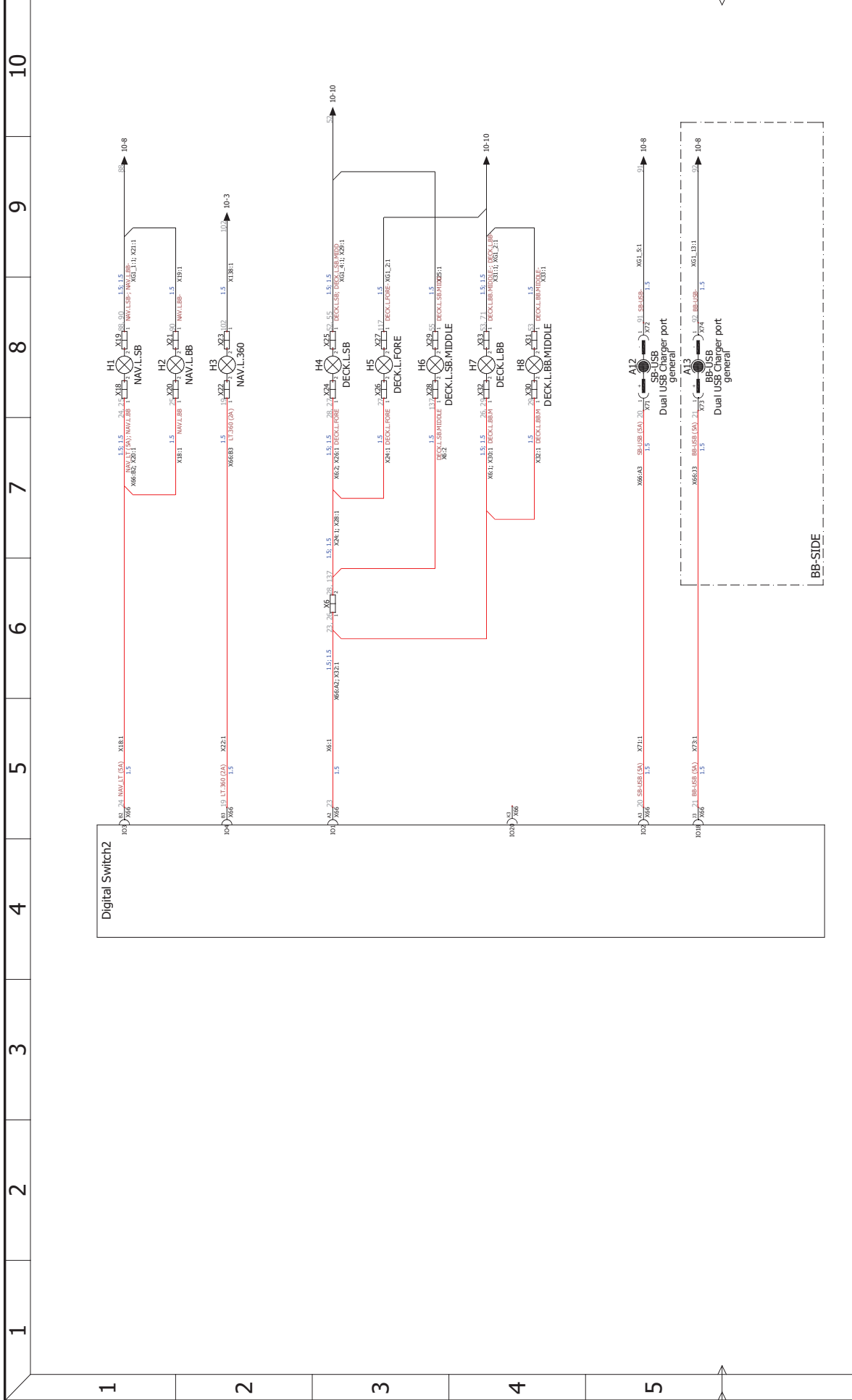
Jos irrotatte tai kiinnitätte akkua, varokaa koskettamasta metalliesineellä samanaikaisesti akun molempia napoja. Olkaa muutenkin varovaisia, jos joudutte lataamaan akkuja irrallisella akkulaturilla. Lataaminen liian suurella virralla aiheuttaa räjähdysvaaran.

Älkää muuttako veneen sähköjärjestelmää tai siihen liittyviä piirustuksia; muutokset ja huollot tulee jättää ammattilaisen tehtäväksi.

16. Kytöntäkaavio



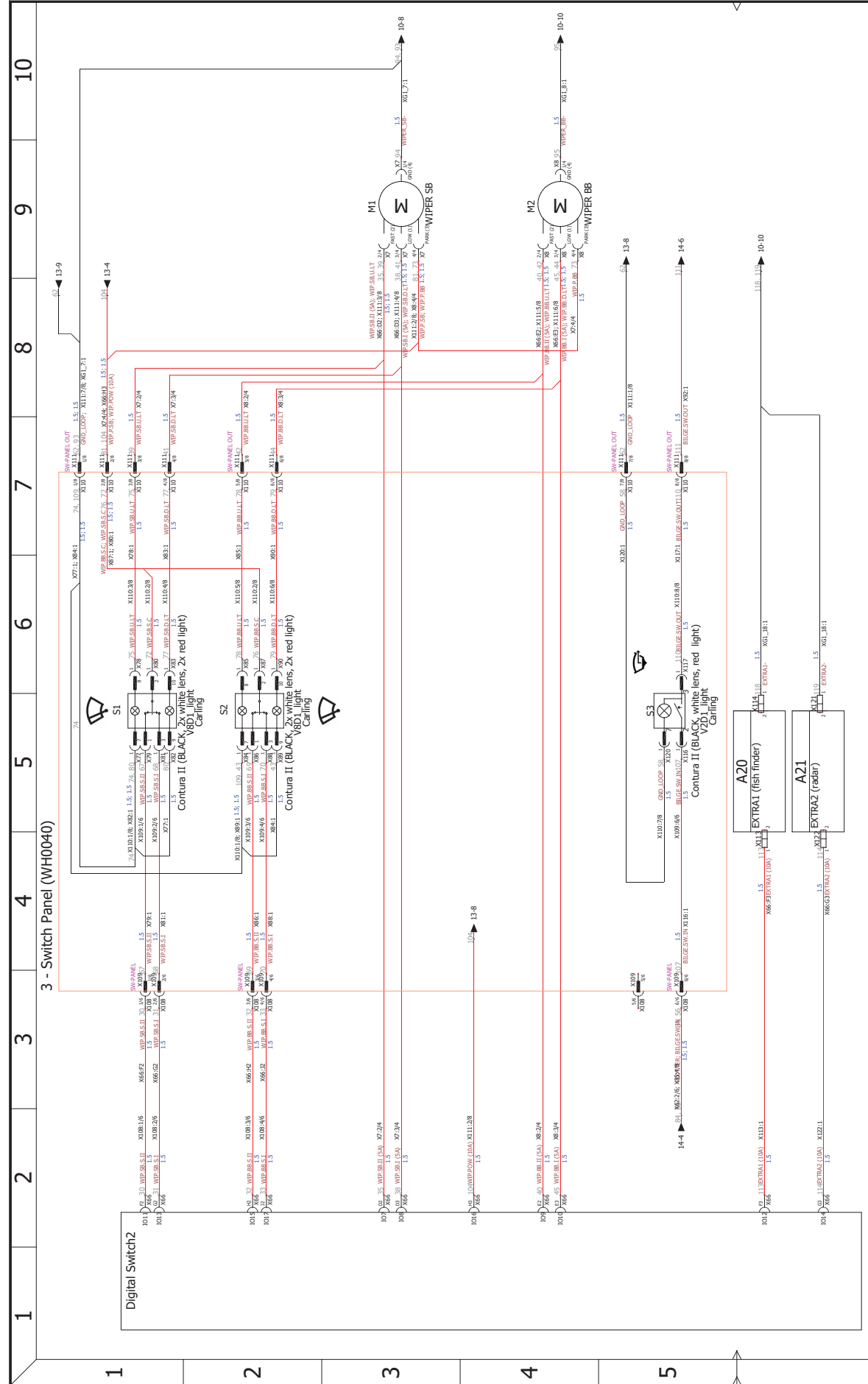
PROJECT: Cross 72BR		SHEET: 3/23		User data 1:		REVISION NOTES		PROJECT LAST MODIFIED		Page id	
FILENAME: 8760.png		DRAWING BY: Timo Välimäki		VERIFIED DATE: 12/11/2019		DRAWING BY: Timo Välimäki		REVISION NOTES		9/17/2020	
BOOK NAME: 72BR		9/7/2020		Timo Välimäki		9/15/2020		Timo Välimäki		Sheet rev.	
SHEET NAME: Battery/Main Switch		9/4/2020		Timo Välimäki		9/4/2020		Timo Välimäki		3	
YAMARIN <small>CO</small>		4/26/2019		Timo Välimäki		4/26/2019		Timo Välimäki		Book rev.	
Buster <small>CO</small>		0		Timo Välimäki		0		Timo Välimäki		4	
PROJECT: Cross 72BR		SHEET: 3/23		User data 1:		REVISION NOTES		PROJECT LAST MODIFIED		Page id	
FILENAME: 8760.png		DRAWING BY: Timo Välimäki		VERIFIED DATE: 12/11/2019		DRAWING BY: Timo Välimäki		REVISION NOTES		10	
BOOK NAME: 72BR		9/7/2020		Timo Välimäki		9/15/2020		Timo Välimäki		Sheet rev.	
SHEET NAME: Battery/Main Switch		9/4/2020		Timo Välimäki		9/4/2020		Timo Välimäki		3	
YAMARIN <small>CO</small>		4/26/2019		Timo Välimäki		4/26/2019		Timo Välimäki		Book rev.	
Buster <small>CO</small>		0		Timo Välimäki		0		Timo Välimäki		4	



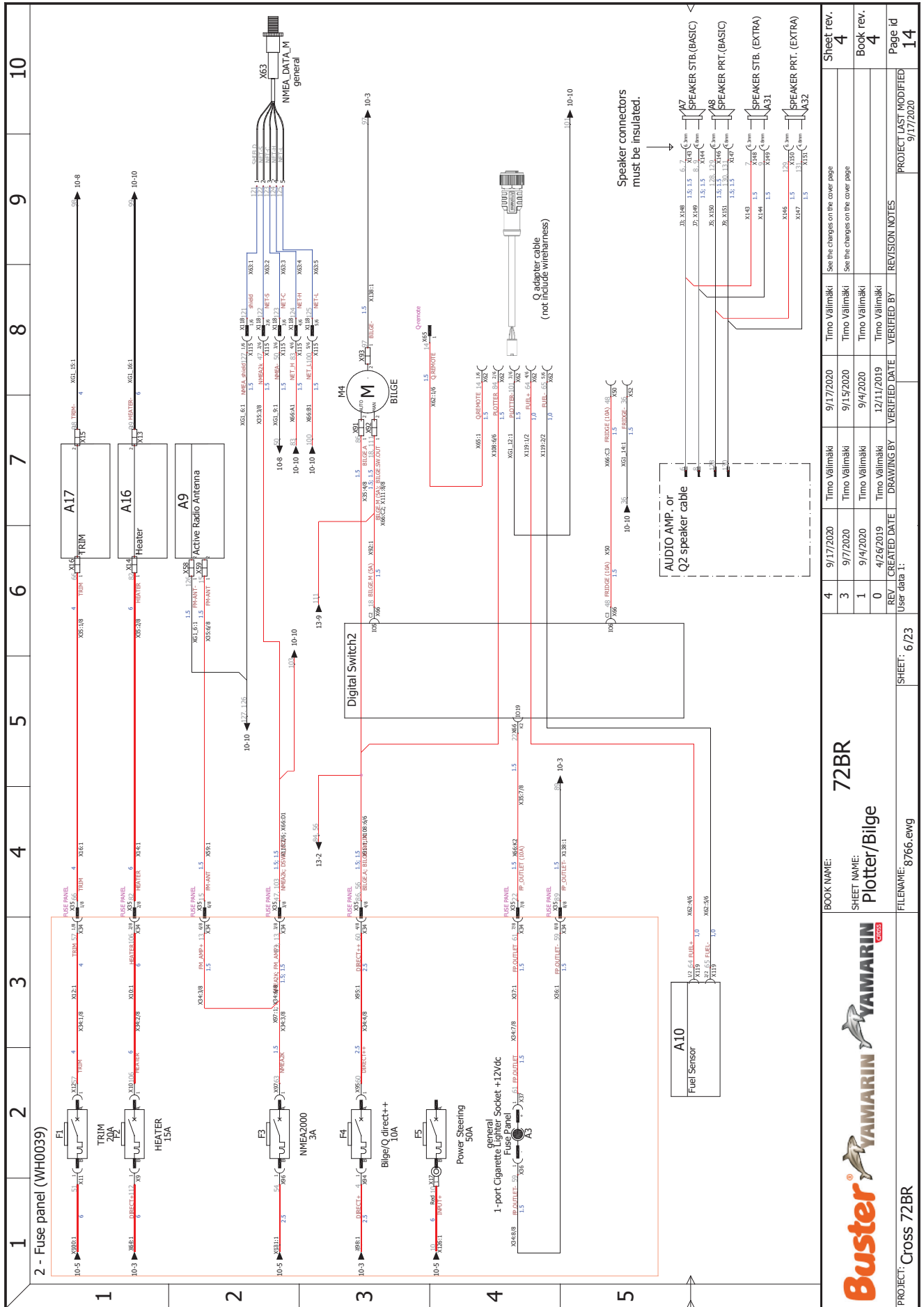
PROJECT: Cross 72BR		SHEET: 4/23		User data 1:		REV. / CREATED DATE		DRAWING BY		VERIFIED DATE		VERIFIED BY		REVISION NOTES		PROJECT LAST MODIFIED 9/17/2020		Page id 12	
BOOK NAME: 72BR		SHEET NAME: Lights/USB		FILENAME: 8764.dwg		REV. / CREATED DATE		DRAWING BY		VERIFIED DATE		VERIFIED BY		REVISION NOTES		PROJECT LAST MODIFIED 9/17/2020		Page id 4	
REV. / CREATED DATE		DRAWING BY		VERIFIED DATE		VERIFIED BY		REVISION NOTES		PROJECT LAST MODIFIED 9/17/2020		Page id 3		Sheet rev. 3		Book rev. 4		See the changes on the cover page	
REV. / CREATED DATE		DRAWING BY		VERIFIED DATE		VERIFIED BY		REVISION NOTES		PROJECT LAST MODIFIED 9/17/2020		Page id 4		Sheet rev. 3		Book rev. 4		See the changes on the cover page	
REV. / CREATED DATE		DRAWING BY		VERIFIED DATE		VERIFIED BY		REVISION NOTES		PROJECT LAST MODIFIED 9/17/2020		Page id 12		Sheet rev. 3		Book rev. 4		See the changes on the cover page	



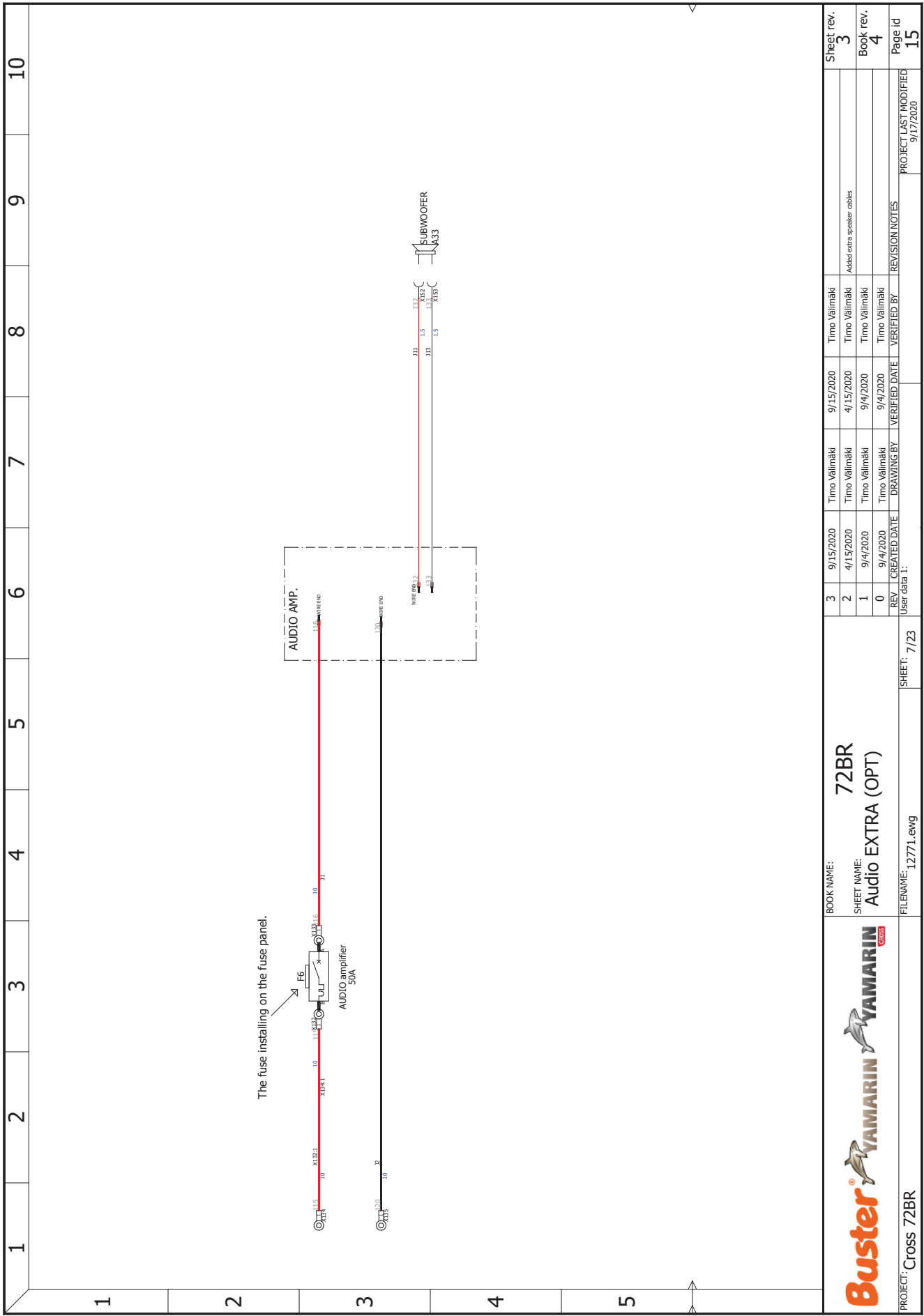
Document realized with version: 2017.6.0.5.9



PROJECT: Cross 72BR			SHEET: 5/23			REVISION NOTES			PROJECT LAST MODIFIED		
BOOK NAME: 72BR			User data 1:			VERIFIED BY			9/17/2020		
SHEET NAME: Wipers/extra/switch			9/15/2020			Timo Välimäki			Sheet rev. 3		
FILENAME: 8765.ewg			9/15/2020			Timo Välimäki			Book rev. 4		
			2 9/15/2020			Timo Välimäki			Page id 1.3		
			0 4/26/2019			Timo Välimäki					

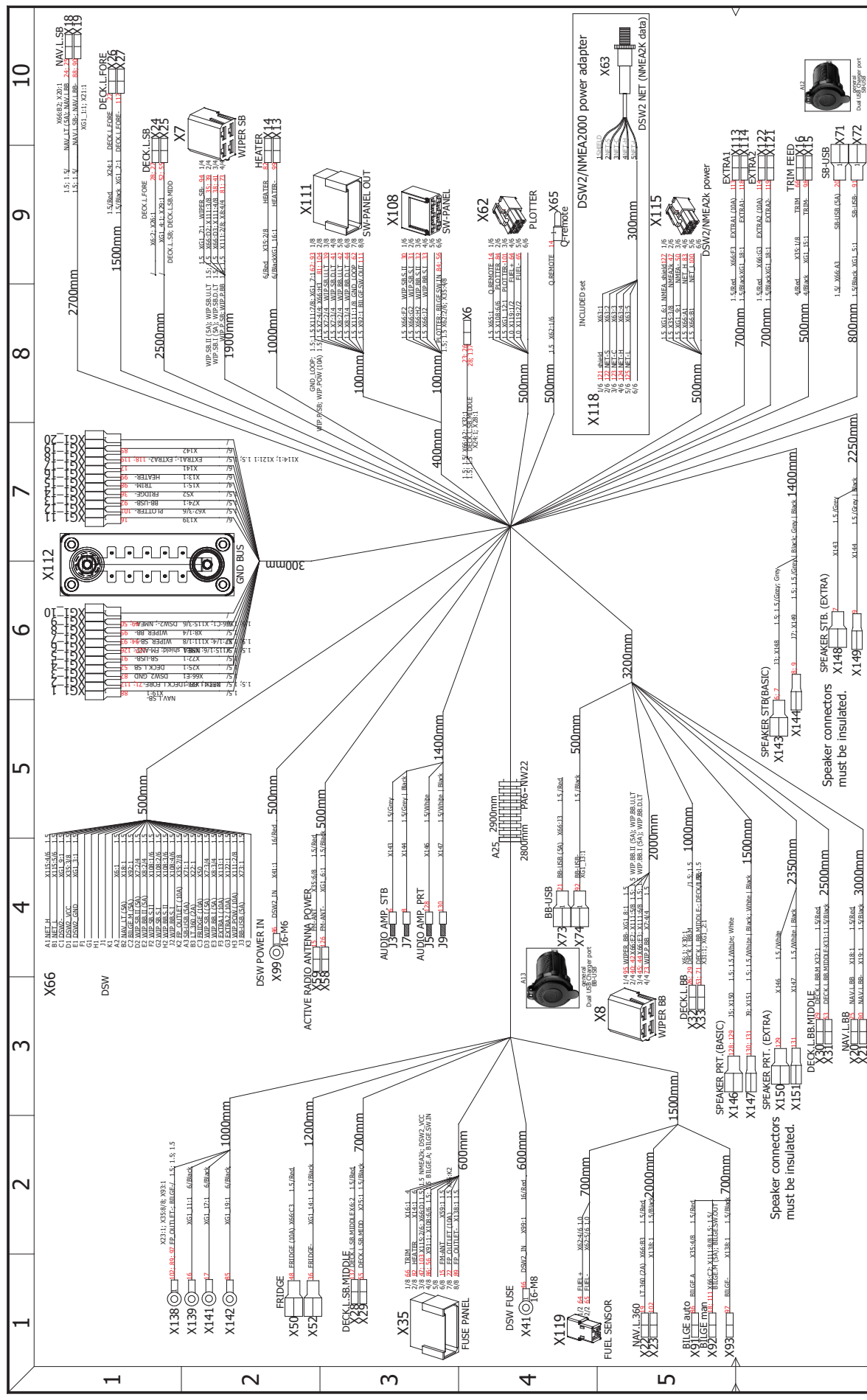


PROJECT: Cross 72BR	FILENAME: 8766.evwg	SHEET: 6/23	REV. 0	CREATED DATE	12/11/2019	VERIFIED BY	Timo Välimäki
SHEET NAME: Plotter/Bilge		BOOK NAME: 72BR	REV. 1	CREATED DATE	9/4/2020	VERIFIED BY	Timo Välimäki
PROJECT LAST MODIFIED		REVISION NOTES	REV. 3	CREATED DATE	9/15/2020	VERIFIED BY	Timo Välimäki
PROJECT LAST MODIFIED		REVISION NOTES	REV. 4	CREATED DATE	9/17/2020	VERIFIED BY	Timo Välimäki
Sheet rev.	4	See the changes on the cover page					
Book rev.	4	See the changes on the cover page					
Page id	14	PROJECT LAST MODIFIED	9/17/2020				



BOOK NAME: 72BR SHEET NAME: Audio EXTRA (OPT) FILENAME: 12771.swg		REV CREATED DATE DRAWING BY VERIFIED DATE VERIFIED BY		Sheet rev. 3 Book rev. 4 Page id 15	
3	9/15/2020	Timo Välimäki	9/15/2020	Timo Välimäki	Added extra speaker cables
2	4/15/2020	Timo Välimäki	4/15/2020	Timo Välimäki	
1	9/4/2020	Timo Välimäki	9/4/2020	Timo Välimäki	
0	9/4/2020	Timo Välimäki	9/4/2020	Timo Välimäki	
User data 1: SHEET: 7/23		PROJECT LAST MODIFIED 9/17/2020			

PROJECT: Cross 72BR
 Document realized with version: 2016.0.5.9



4	9/17/2020	Timo Välimäki	9/17/2020	Timo Välimäki	9/17/2020	Timo Välimäki	9/17/2020	Timo Välimäki	9/17/2020	9/17/2020	See the changes on the cover page	Sheet rev.	4	
3	9/17/2020	Timo Välimäki	9/15/2020	Timo Välimäki	9/15/2020	Timo Välimäki	9/15/2020	Timo Välimäki	9/15/2020	9/15/2020	See the changes on the cover page	Book rev.	4	
1	9/4/2020	Timo Välimäki	9/4/2020	Timo Välimäki	9/4/2020	Timo Välimäki	9/4/2020	Timo Välimäki	9/4/2020	9/4/2020				
0	4/26/2019	Timo Välimäki	12/11/2019	Timo Välimäki	12/11/2019	Timo Välimäki	12/11/2019	Timo Välimäki	12/11/2019	12/11/2019	VERIFIED BY	REVISION NOTES	Page id	20
HARNESS NAME: Main Harness (WH0043)											PROJECT LAST MODIFIED	9/17/2020		
SHEET: 8/23											FILENAME: 8761_evwg			
BOOK NAME: 72BR														
SHEET NAME: Main Harness (WH0043)														



PROJECT: Cross 72BR

Document realized with version: 2016.0.5.9

YAMARIN **CROSS**

Yamarin Cross 75 Bow rider

Användarhandbok

FÖRORD

Tack för att du valde en Yamarin Cross!

Användarhandboken beskriver egenskaperna hos din nya båt och hjälper dig att hantera och vårda båten. Den är utarbetad för att vara till din hjälp så att du lär dig hantera båten säkert och undviker eventuella problem. Kontrollera att du har fått instruktionsböcker för all utrustning som är installerad i båten tillsammans med båtleveransen. Komplettera handboken med information om och instruktionsböckerna för senare inköpt utrustning. Det finns utrymme för egna anteckningar i slutet av handboken. Läs igenom handboken noggrant och bekanta dig noga med båtens detaljer innan du kastar loss.

Om detta är din första båt eller om du har bytt till en ny båttyp ska du se till att du har tillräcklig känsla och erfarenhet av båtens användning och hantering innan du tar emot befälet över båten. Detta är mycket viktigt för din egen komfort och säkerhet. Båtens försäljare och båtklubbarna ger gärna information om de lokala båtskolorna eller rekommenderar kompetenta lärare.

Användarhandboken är ingen detaljerad service- eller felsökningsguide. Kontakta båtens återförsäljare vid problem. Anlita alltid kompetenta personer som är utbildade för service, reparationer och ändringsarbeten. Sådana ändringar som kan påverka båtens säkerhetsegenskaper ska bedömas, utföras och dokumenteras av kompetenta fackmän. Båtens tillverkare ansvarar inte för sådana ändringar som tillverkaren inte har godkänt.

Se till att båten alltid är i gott skick och tänk på att den kräver underhåll och service. Vilken båt som helst – oberoende av hur robust den är – kan få omfattande skador om den används på fel sätt. Anpassa alltid båtens fart och kurs till de rådande väderförhållandena.

Vi önskar dig trevliga och avkopplande stunder till sjöss med din Yamarin Cross!

Inhan Tehtaat, Inha Works
Hahdenniementie 2
FI-21120 Raisio
Finland

www.cross.boats

Förvara denna handbok på ett säkert ställe och ge den till nästa ägare om du säljer båten..

Contents	
INNAN DU KASTAR LOSS	86
Allmänt	87
Försäkran om överensstämmelse	88
Definitioner	90
Garanti	90
Innan båten tas i bruk	91
Registrering	91
Försäkringar	91
Utbildning	91
Båtens egenskaper och användning	92
Allmänt	92
Basuppgifter om båten	92
Högsta rekommenderade antal personer	94
Belastning	95
Motor och propeller	95
Förhindrande av vatteninträngning och stabilitet	96
Skrov- och däcksgenomföringar samt avstängningsventiler	96
Stabilitet och flytbarhet	97
Förebyggande av brand och explosionsrisk	97
Tankning	97
Brandskydd	98
Huvudbrytare och säkringar	99
Användning	100
Fjärreglage	100
Nödstopp	100
Växlar och gas	100
Justering av motorns riggvinkel	100
Start av motorn	101
Körning	101
Till och från bryggan	102
Användning av kapell	103
Dörrarna mellan vindruta och styrpulp	103
Rätt användning – övriga rekommendationer och anvisningar	103
Man överbord	103
Säkring av lös utrustning	104
Hänsyn till miljön	104
Förtöjning och ankring	104
Bogsering	105
Transport på trailer	105
Sliptagning	107
Underhåll av båt och utrustning	107
Tvätt och vaxning av båten	107
Skötsel­anvisningar för sittdynorna	108
Skötsel­anvisningar för kapellet	109
Skötsel­anvisningar för vindrutan	109
Skötsel­anvisningar för syrafasta delar	109
Skötsel­anvisningar för fjärreglaget	109
Skötsel­anvisningar för styrsystemet	109
Skötsel­anvisningar för elkomponenterna	109
Små ytreparationer	109
Vinterförvaring av båten	110
Åtgärder före vinterförvaring	110
Åtgärder på våren före sjösättning	112
Layout	113
Allmän layout	113
Bränslesystem	114
Styrsystem	115
Elsystem	115
Kopplings­schema	116

1. INNAN DU KASTAR LOSS

Läs igenom denna användarhandbok.

Kontrollera alltid åtminstone följande innan du beger dig ut på sjön:

Väder och väderprognos

Ta hänsyn till vind, sjögång och sikt. Är båtens kategori, storlek och utrustning lämplig samt skepparens och besättningens färdigheter tillräckliga för det vattenområde dit ni är på väg? Vid hård vind och hög sjögång ska luckor och dörrar hållas stängda så att vatten inte kan tränga in.

Belastning och stabilitet

Överbelasta inte båten och fördela lasten rätt. Placera tunga föremål i stuvutrymmet under akterbänken. Tänk också på att båtens stabilitet försämras om man står i båten.

Passagerare

Se till att det finns flytplagg eller flytvästar till alla som är ombord. Kom överens om uppgiftsfördelningen före avfärd.

Bränsle och bränslesystem

Kontrollera att det finns tillräckligt med bränsle; också 20 procent i reserv för t.ex. dåligt väder.

Motor och fjärreglage

Kontrollera att styrningen och fjärreglaget fungerar och är i gott skick. Utför de kontroller som anges i motorns instruktionsbok.

Båtens sjöduglighet

Kontrollera att båten är sjöduglig även på andra sätt: inga bränsle- eller vattenläckage, säkerhetsutrustningen är med osv. Kontrollera att det inte finns vatten i mellanbotten.

Säkring av föremål

Se till att alla lösa föremål är placerade så att de hålls på plats vid kraftig sjögång och hård vind. Se till att sittdynorna är fastknäppta så att de inte kan flyga iväg.

Sjökort

Om du inte följer en välkänd rutt ska du se till att du har sjökort med dig för ett tillräckligt stort område! Om båten är utrustad med kartplotter ska du lära dig använda den innan du beger dig ut på sjön. Se till att du har senaste upplagan av sjökorten.

Avfärdsmanövrer

Kom överens med besättningen om vem som lossar vilken lina osv. Kontrollera att förtöjningslinorna eller ankarlinan inte kan fastna i propellern vid avfärd eller ankomst.

Obligatorisk utrustning

Enligt sjötrafiklagstiftningen ska varje farkost som är försedd med motor ha följande funktionsdugliga utrustning:

- 1) Godkänd räddningsväst, flytplagg eller flytdräkt för alla ombord. Flytplaggets storlek och bärförmåga ska motsvara personens storlek och vikt.
- 2) Öskar
- 3) Åror, paddel eller ankare med lina

- 4) Godkänd brandsläckare som motsvarar minst klass 8A68. Brandsläckaren ska granskas årligen. (Båten är standardutrustad med en godkänd brandsläckare. Obs! Eftersom brandsläckaren installeras när båten tillverkas kan kontrollstämpeln, som gäller i ett år, löpa ut inom en kort tid efter att båten har tagits i bruk. Enligt lagstiftning är den som använder en båt ansvarig för att gällande kontrollstämpel finns på brandsläckaren).

Tilläggsanvisningar för motorn finns i motorns instruktionsbok.

2. Allmänt

Användarhandboken hjälper dig att lära känna din båts egenskaper, skötsel och service. Den utrustning som är installerad i båten har egna bifogade instruktionsböcker och på flera ställen i handboken hänvisas till dem. Du kan komplettera handboken med instruktionsböckerna för den utrustning du köper senare. Det finns utrymme för egna anteckningar i slutet av handboken.

Båten har ett löpande serienummer, CIN-kod (Craft Identification Number). CIN-koden finns på båtens akterspegel på styrbords sida under badplattformen. Vi rekommenderar att du antecknar CIN-koden i försäkran om överensstämmelse i denna bok. Ange CIN-koden och båttypen vid kontakter med återförsäljaren för att vara säker på att få rätta reservdelar.

2.1. Försäkran om överensstämmelse

Multi-language template compiled by IMCI 

English version approved by RCD ADCO on June 8th, 2016

FÖRSÄKRAN OM ÖVERENSSTÄMMELSE FÖR FRITIDSBÅT GÄLLANDE KONSTRUKTIONS-, TILLVERKNINGS- OCH BULLERKRAV (Ifylls av tillverkaren eller tillverkarens utsedda representant)

Båttillverkarens namn: Inhan Tehtaata Oy Ab, Inha Works Ltd.
Adress: Hahdenniementie 2
Stad: Raisio **Postnummer:** 21120 **Land:** Finland

Den utsedda representantens namn (i förekommande fall) : _____
Adress: _____
Stad: _____ **Postnummer:** _____ **Land:** _____

Kontrollförfarande för konstruktion och tillverkning: A AI B+C B+D B+E B+F G H
Anmält organ vid kontroll av konstruktion och tillverkning (i förekommande fall) : DNV GL SE
Adress: Brooktorkai 18
Stad: Hamburg **Postnummer:** 20416 **Land:** Germany **Identifikationsnr:** 0098
Det anmälda organets intyg/rapport¹: RCDB00000B9 **Datum:** _____

Kontrollförfarande för buller (i förekommande fall): A AI G H
Anmält organ vid kontroll av buller (i förekommande fall): _____
Adress: _____
Stad: _____ **Postnummer:** _____ **Land:** _____ **Identifikationsnr:** _____
Det anmälda organets intyg/rapport¹: _____ **Datum:** _____

Andra EU-direktiv som tillämpats: _____

BESKRIVNING AV FRITIDSBÅTEN:

Båtens identifikationsnummer: FI - YAM4 6

Båtmärke: Cross **Modell, typ eller nummer:** 75 Bow Rider

Konstruktionstyp
: Hård Uppblåsbar Uppblåsbart skrov med fast botten (RIB)
Skrovkonfiguration:
 Enkelskrov Flerskrov

Skrovmaterial
: Aluminium, -legeringar Fiberarmerad hårdplast
 Stål, -legeringar Trä
 Annat, specificera: _____

Fritidsbåtar
Konstruktionskategorier när de beror av max personantal

Kategori	Person-antal	Max last (kg)
A		
B		
C	9	1315
D		

Längd L_H 6,12 m
Bredd B_H 2,26 m
Djupgående T: 0,31 m

Däck:
 Heldäckad
 Delvis däckad
 Öppen

Huvudsakligt framdrivningssystem:
 Segel med area, A_s : _____ m²
 Människokraft
 Motordrift
 Annat, specificera: _____

Installerad motortyp:
 Dieselmotor
 Bensinmotor
 Gasdriven förbränningsmotor
 Elektrisk
 Annat, specificera: _____

Kraftöverföringsprincip :
 Utombordsmotor
 Inombordsmotor med stel axel
 INU
 Pod-drev
 Segelbåtsdrev
 Annat, specificera: _____

Framdrivningssystem med integrerat avgassystem : Ja Nej

Maximal rekommenderad motoreffekt: 224 kW
Installerad motoreffekt: _____ kW
Antal framdrivningsmotorer: 1 #
Maximal rekommenderad motorvikt²: 313 kg

Denna försäkran om överensstämmelse är utfärdad på tillverkarens eget ansvar. Jag försäkrar på uppdrag av tillverkaren att nämnda fritidsbåt uppfyller kraven i Artikel 4 (1) och Bilaga I i direktiv 2013/53/EU.

Namn och befattning: Juha Lehtola, CEO **Signatur och titel:** _____
(identifiering av den person som är bemyndigad att skriva på för tillverkaren eller hans representant) (or an equivalent marking)

Ort och datum (dag-mån-år) för utfärdande: 11.2020

¹ Dokumentet kan ha olika namn beroende på vilket kontrollförfarande som använts

² Endast för båtar för utombordsmotor

Väsentliga Krav (hänvisning till relevanta artiklar i bilaga IA & IC i Direktivet)	Harmonised standards Full Application	Harmonised standards Partial application, see tech. file	Other reference documents ³ Full Application	Other reference documents Partial Application, see tech. file	Other proof of conformity See technical file	Ange harmoniserad standard eller referens till annat regelverk (inklusive utgivningsår ex "EN ISO 8666:2002")
	<i>Endast en ifylld ruta per rad</i>					
Allmänna krav (2)						
Huvuddata	<input checked="" type="checkbox"/>					ISO 8666:2002
Identifiering av vattenfarkoster (2.1)	<input checked="" type="checkbox"/>					EN ISO 10087:2006
Vattenfarkostens tillverkarskylt (2.2)	<input checked="" type="checkbox"/>	<input type="checkbox"/>	<input type="checkbox"/>	<input type="checkbox"/>	<input type="checkbox"/>	2013/53/EU1A-2.2
Skydd mot fall överbord och hjälpmedel för att åter ta sig ombord (2.3)	<input checked="" type="checkbox"/>	<input type="checkbox"/>	<input type="checkbox"/>	<input type="checkbox"/>	<input type="checkbox"/>	EN ISO 15085:2003+A2:2018
Synfält från huvudsaklig styrplats (2.4)	<input checked="" type="checkbox"/>	<input type="checkbox"/>	<input type="checkbox"/>	<input type="checkbox"/>	<input type="checkbox"/>	EN ISO 11591: 2016
Instruktionsbok (2.5)	<input checked="" type="checkbox"/>	<input type="checkbox"/>	<input type="checkbox"/>	<input type="checkbox"/>	<input type="checkbox"/>	EN ISO 10240:2004 + A1 2015
Krav på integritet och skrovstyrka (3)						
Skrovstyrka (3.1)	<input checked="" type="checkbox"/>	<input type="checkbox"/>	<input type="checkbox"/>	<input type="checkbox"/>	<input type="checkbox"/>	EN ISO 12215-3:2018, EN ISO 12215-4:2018, EN ISO 12215-5:2018, EN
Stabilitet och fribord (3.2)	<input checked="" type="checkbox"/>	<input type="checkbox"/>	<input type="checkbox"/>	<input type="checkbox"/>	<input type="checkbox"/>	EN ISO 12217-1:2017, EN ISO 12217-3:2017
Flytkraft och flytmedel (3.3)	<input checked="" type="checkbox"/>	<input type="checkbox"/>	<input type="checkbox"/>	<input type="checkbox"/>	<input type="checkbox"/>	EN ISO 12217-1:2017, EN ISO 12217-3:2017
Öppningar i skrov, däck och överbyggnad (3.4)	<input checked="" type="checkbox"/>	<input type="checkbox"/>	<input type="checkbox"/>	<input type="checkbox"/>	<input type="checkbox"/>	EN ISO 9093-1:2018, EN ISO 12216:2018
Inträngande vatten (3.5)	<input checked="" type="checkbox"/>	<input type="checkbox"/>	<input type="checkbox"/>	<input type="checkbox"/>	<input type="checkbox"/>	EN ISO 11812:2018, EN ISO 15083:2003/A2:2018
Tillverkarens rekommenderade maximala last (3.6)	<input checked="" type="checkbox"/>	<input type="checkbox"/>	<input type="checkbox"/>	<input type="checkbox"/>	<input type="checkbox"/>	EN ISO 14946:2001/AC:2005
Förvaring av lifflottar (3.7)	<input checked="" type="checkbox"/>	<input type="checkbox"/>	<input type="checkbox"/>	<input type="checkbox"/>	<input type="checkbox"/>	RCD Annex I 3.7
Utrymning (3.8)	<input type="checkbox"/>	<input type="checkbox"/>	<input type="checkbox"/>	<input type="checkbox"/>	<input type="checkbox"/>	
Ankring, förtöjning och bogsering (3.9)	<input type="checkbox"/>	<input type="checkbox"/>	<input type="checkbox"/>	<input type="checkbox"/>	<input type="checkbox"/>	EN ISO 11812:2018
Manöveregenskaper (4)	<input checked="" type="checkbox"/>	<input type="checkbox"/>	<input type="checkbox"/>	<input type="checkbox"/>	<input type="checkbox"/>	EN ISO 11592-1:2016, RCD Annex I 4
Motorer och motorrum (5.1)						
Inombordsmotor (5.1.1)	<input type="checkbox"/>	<input type="checkbox"/>	<input type="checkbox"/>	<input type="checkbox"/>	<input type="checkbox"/>	
Ventilation (5.1.2)	<input type="checkbox"/>	<input type="checkbox"/>	<input type="checkbox"/>	<input type="checkbox"/>	<input type="checkbox"/>	
Friliggande delar (5.1.3)	<input type="checkbox"/>	<input type="checkbox"/>	<input type="checkbox"/>	<input type="checkbox"/>	<input type="checkbox"/>	
Utombordsmotor (5.1.4)	<input type="checkbox"/>	<input type="checkbox"/>	<input type="checkbox"/>	<input type="checkbox"/>	<input type="checkbox"/>	
Bränslesystem (5.2)						
Allmänt - bränslesystem (5.2.1)	<input checked="" type="checkbox"/>	<input type="checkbox"/>	<input type="checkbox"/>	<input type="checkbox"/>	<input type="checkbox"/>	EN ISO 8469: 2018, EN ISO 10088:2017
Bränsletankar (5.2.2)	<input checked="" type="checkbox"/>	<input type="checkbox"/>	<input type="checkbox"/>	<input type="checkbox"/>	<input type="checkbox"/>	EN ISO 21487:2018
Elektriska system (5.3)	<input checked="" type="checkbox"/>	<input type="checkbox"/>	<input type="checkbox"/>	<input type="checkbox"/>	<input type="checkbox"/>	EN ISO 8849:2018, EN ISO 10133:2017
Styrssystem (5.4)						
Allmänt - styrssystem (5.4.1)	<input checked="" type="checkbox"/>	<input type="checkbox"/>	<input type="checkbox"/>	<input type="checkbox"/>	<input type="checkbox"/>	EN ISO 10592:2017, EN ISO 25197:2018, EN ISO 8848:2017
Nödutrustning (5.4.2)	<input type="checkbox"/>	<input type="checkbox"/>	<input type="checkbox"/>	<input type="checkbox"/>	<input type="checkbox"/>	
Gassystem (5.5)	<input type="checkbox"/>	<input type="checkbox"/>	<input type="checkbox"/>	<input type="checkbox"/>	<input type="checkbox"/>	
Brandskydd (5.6)						
Allmänt - brandskydd (5.6.1)	<input checked="" type="checkbox"/>	<input type="checkbox"/>	<input type="checkbox"/>	<input type="checkbox"/>	<input type="checkbox"/>	EN ISO 9094:2017
Brandskyddsutrustning (5.6.2)	<input checked="" type="checkbox"/>	<input type="checkbox"/>	<input type="checkbox"/>	<input type="checkbox"/>	<input type="checkbox"/>	EN ISO 9094:2017
Navigationsljus, signalfigurer och ljudsignaler (5.7)	<input checked="" type="checkbox"/>	<input type="checkbox"/>	<input type="checkbox"/>	<input type="checkbox"/>	<input type="checkbox"/>	EN ISO 16180:2018, 1972 COLREG
Avfallshantering (5.8)	<input type="checkbox"/>	<input type="checkbox"/>	<input type="checkbox"/>	<input type="checkbox"/>	<input type="checkbox"/>	
Annex I.B - Avgasutsläpp⁵						
Annex I.C - Bullerkrav⁶						
Bullernivåer (I.C.1)	<input type="checkbox"/>	<input type="checkbox"/>	<input type="checkbox"/>	<input type="checkbox"/>	<input type="checkbox"/>	
Ägarens instruktionsbok (I.C.2)	<input type="checkbox"/>	<input type="checkbox"/>	<input type="checkbox"/>	<input type="checkbox"/>	<input type="checkbox"/>	

³ Såsom ej harmoniserade standarder, regler, anvisningar etc

⁴ Standarder publicerade

⁵ Se motortillverkarens försäkran om överensstämmelse

⁶ Bara för att slutföras för båtar med inombordsmotorer eller Aquamatic motorer utan inbyggt avgassystem

3. Definitioner

Varningar och anmärkningar i denna handbok är definierade på följande sätt:

- FARA!** Betyder att det finns ett allvarligt faromoment, som med stor sannolikhet leder till död eller permanent handikapp, om inte lämpliga säkerhetsåtgärder vidtas.
- VARNING!** Betyder att det finns ett faromoment, som kan leda till kroppsskada eller död, om inte lämpliga säkerhetsåtgärder vidtas.
- OBS!** Markerar en påminnelse om säkert tillvägagångssätt och fäster uppmärksamhet vid farliga tillvägagångssätt, som kan leda till kroppsskada, skador på båten eller dess delar eller orsaka skador på miljön.

I handboken används enheter enligt SI-systemet. I vissa fall har andra enheter angetts inom parentes. Ett undantag utgör vindhastigheten som anges i beaufort i fritidsbåtsdirektivet.

4. Garanti

För båten och dess utrustning gäller 2 års garanti från det datum då båten tas i bruk. Kontakta återförsäljaren i eventuella garantiärenden. Kom ihåg att ange CIN-koden. Fotografera reklambilderna digitalt, om möjligt. Ett foto brukar ge snabbare behandling av garantiärenden.

5. Innan båten tas i bruk

5.1. Registrering

Bestämmelserna för registrering varierar från land till land. Kontrollera vad som gäller för din båt. Det kan även finnas bestämmelser till exempel om båtförarens ålder.

Enligt lagen om farkostregistret ska båtar i Finland med en motoreffekt på över 20 hk (15 kW) och båtar som är minst 5,5 meter långa införas i farkostregistret. Detaljerade instruktioner om registrering fås av Trafi (www.trafi.fi).

En motordriven farkost som skall registreras får framföras endast av en person som har fyllt 15 år.

5.2. Försäkringar

En båtförsäkring kan täcka olyckor som sker på sjön, vid transport eller dockning. Se särskilt till att försäkringsansvaret gäller vid upptagning av båten. En försäkring kan också ha en indirekt påverkan på säkerheten, eftersom du framförallt kan koncentrera dig på att rädda människor när ett allvarligt haveri inträffar till sjöss. Försäkringsbolagen ger närmare information om olika försäkringsalternativ. Se särskilt till att försäkringsansvaret inkluderar upptagning och transport av båten!

5.3. Utbildning

Det finns gott om litteratur som berör båtar och sjömanskap. Navigationskurser ordnas av båtorganisationer och t.ex. studiecirklar.

Uppgifter om båtkurser lämnas av **båtorganisationerna**.

Kurserna ger goda grundläggande färdigheter, men säkerhet i båtens hantering, navigering, förtöjning och ankring får du först genom praktisk övning under längre tid.

6. Båtens egenskaper och användning

6.1. Allmänt

Syftet med användarhandboken är inte att vara en fullständig service- eller reparationshandbok, utan att vägleda användaren i korrekt användning av båten.

I handboken kan det finnas bilder och illustrationer som hänvisar till extrautrustning eller landspecifika utrustning.

6.2. Basuppgifter om båten

Fritidsbåtar kan konstrueras enligt fyra båtkategorier (A, B, C och D) i fritidsbåt direktivet 2013/53/EU. Båten är konstruerad enligt kategori C vilket innebär följande:

Båten är konstruerad för användning i förhållanden då vindstyrkan kan uppgå till 6 beaufort (ca 14 m/s) med motsvarande sjögång (innebär en signifikant våghöjd på upp till 2 meter). Sådana här förhållanden kan råda på öppna insjöar, i flodmynningar och i kustvatten vid måttliga väderleksförhållanden.

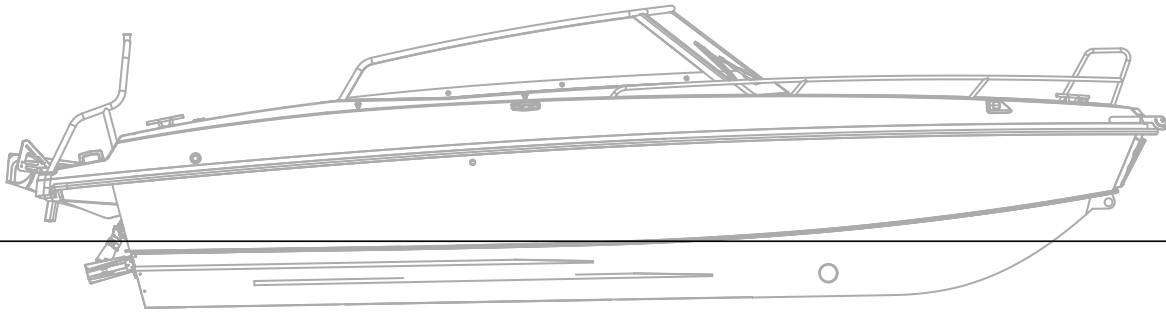
Med den signifikanta våghöjden avses den genomsnittliga höjden på den högsta tredjedelen av vågorna, vilket i stort sett svarar mot den höjd en observatör uppskattar. Enstaka vågor kan vara dubbelt så höga. Om den signifikanta våghöjden är 2,0 meter så är medelhöjden på alla vågor cirka 1,2 meter.

Rekommenderad maximal belastning: Se den *tekniska specifikationen*
Se också avsnittet 5.4 "Belastning".

Huvudmått och kapaciteter: Se den *tekniska specifikationen*
Båtens längd, bredd, djup, totalvikt osv. samt tankkapaciteterna anges i den tekniska specifikationen.

Tillverkarskylt:
Tillverkarskylten är fäst invid båtens fjärreglage och innehåller en del av informationen ovan. Kompletterande information finns i de relevanta avsnitten i denna handbok.

Modell	YAMARIN Cross 75 Bow Rider
CE kategori	C
Totallängd	7,37
Bredd	2,47
Vikt (utan motor)	1330kg
Bärighet	9 personer / 1002kg
Bärighet i CE platta	personer + last 1002kg, motor 313kg
Max motoreffekt	300hp / 224kW
Max engine vikt	313kg
Bränsletankens volym	300 L
Max. hastighet	48 Knots



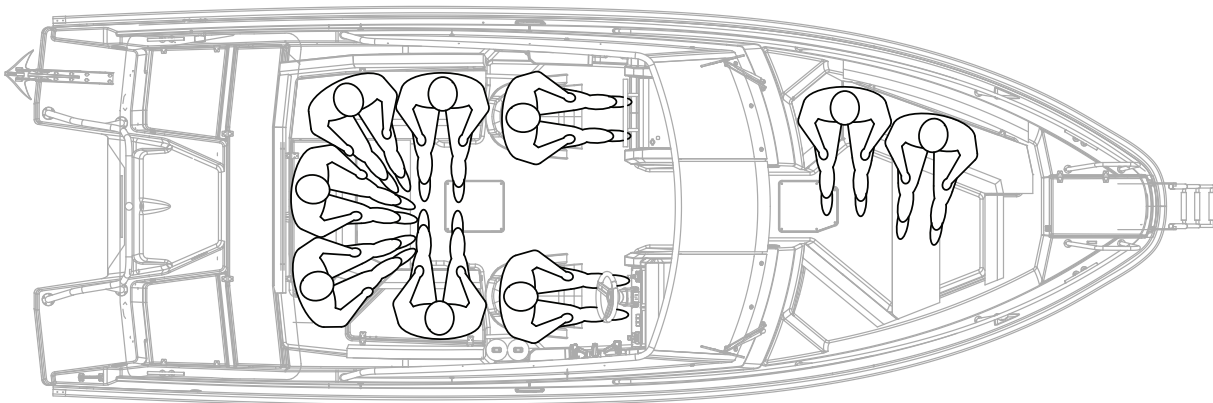
Vattenlinje:	
- vid akterkanten	160 mm från slaget uppåt
- vid fören	500 mm från slaget nedåt längs fören

OBS! Måtten anger övre gränsen för antifoulingfärgen och inte båtens faktiska vattenlinje.

6.3. Högsta rekommenderade antal personer

Högsta rekommenderade antal personer i båten är 9 personer.

WARNING! Undvik att överskrida det högsta rekommenderade antalet personer. Oberoende av antalet personer i båten får inte den totala vikten av personerna och utrustningen överskrida den maximala rekommenderade lasten (se avsnittet Belastning). Under färden ska alla i båten sitta på avsedda sittplatser.



Sittplatser i båten.

OBS! Om du börjar lasta båten från aktern mot fören får du bättre bränsleekonomi.

6.4. Belastning

Båtens maximala tillåtna last är 1227 kg. Följande vikter beräknas ingå i lasten:

- a) totalvikten för personerna ombord 675kg (en vuxen person antas väga 75 kg och ett barn 37,5 kg)
- b) vikten på vätskor (bränsle) i fasta tankar 225 kg
- c) Grundläggande utrustning 24kg
- d) Livflotte 50kg
- e) Last 253kg

OBS! Den största rekommenderade lasten innehåller endast dessa viktkomponenter.

WARNING! **Den maximala rekommenderade belastningen får inte överskridas när båten lastas.** Lasta alltid båten omsorgsfullt och tänk på att fördela lasten så att konstruktionstrimmets behålls (ungefär rät köl). Normalt ska tunga saker placeras i stuvutrymmet under akterbänken. Undvik att placera tunga föremål högt.

6.5. Motor och propeller

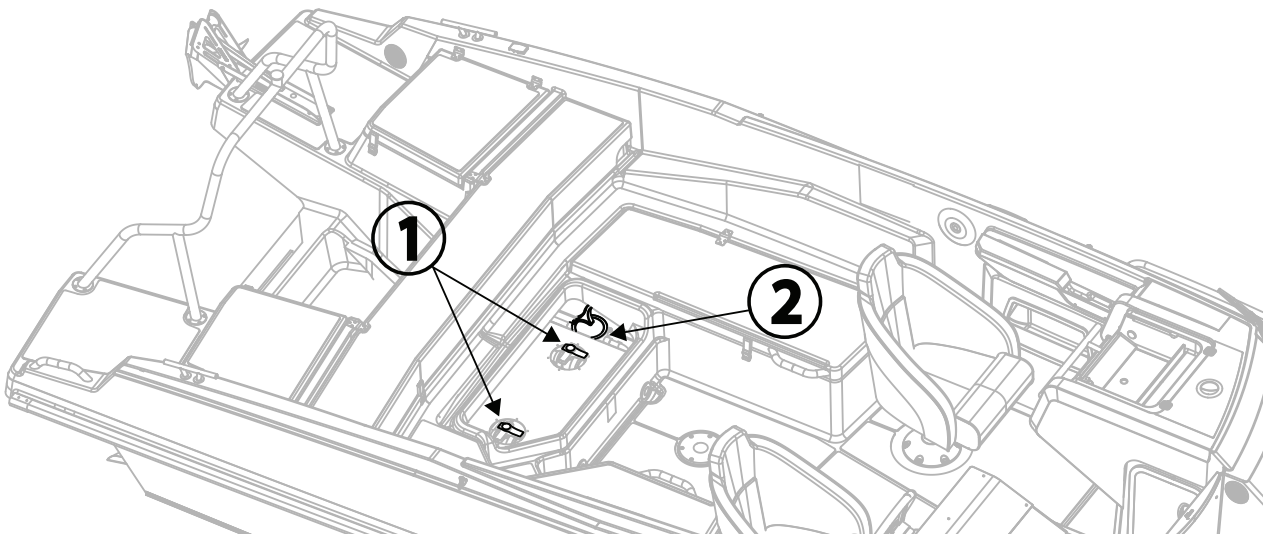
Den största rekommenderade motoreffekten för båten är 300 hk (223kW). Båtens konstruktioner är inte dimensionerade för större effekt än 300 hk. Båtens köregenskaper kan bli livsfarliga om båten utrustas med större motor än 300 hk. Båtens garanti gäller inte om större effekt än 300 hk används i båten. Följ återförsäljarens anvisningar vid valet av propeller.

7. Förhindrande av vatteninträngning och stabilitet

7.1. Skrov- och däcksgenomföringar samt avstängningsventiler

Båten är försedd med ett självlänssystem som innebär att sittbrunnen töms på regnvatten när båten ligger i sjön. Självlänsen fungerar också på land om fören ligger högre än aktern och dräneringsventilen för regnvatten är öppen.

Dräneringsventilen för regnvatten finns under serviceluckan som finns i golvet i akterbänkens styvutrymme. Ventilen ska endast vara stängd när båten är lastad med största rekommenderade last för att förhindra att vatten tränger in. **I övriga fall ska ventilen alltid vara öppen så att regnvattnet dräneras ur båten.**



1. Avstängningsventil för tömningen av sittbrunnen

2. Länspump

Båten är försedd med en manuell länspump enligt bilden. Kapaciteten hos den manuella länspumpen är ca 0,7 l/slag.

I båten finns installerad en eldriven länspump.

Länspumpens koppling har två funktioner:

- Automatisk funktion
- Manuell funktion

När länspumpen är i gång lyser kopplingens lampa.

Båtagaren ansvarar för att minst ett öskar eller en hink medförs i båten och att dessa är säkrade så att de inte försvinner.

WARNING!

Stäng dräneringsröret när öppningen på insidan kontinuerligt befinner sig under vattenlinjen på grund av båtens last. Endast vid backning förhindrar spärrklaffen vid utloppsöppningen på akterspegeln att vatten tränger in!

OBS!

Se till att vattnet obehindrat kan rinna ut genom dräneringsröret. Eventuellt skräp, t.ex. löv på hösten, kan hindra vattnet från att rinna ut och då kan båten vattenfyllas och sjunka. Dräneringssystemet fungerar inte i köld.

OBS! Det samlas alltid en liten mängd kondensvatten i mellanbotten. Även skrovgenomföringarna kan släppa igenom lite vatten, särskilt när båten blir gammal. Kom ihåg att kontrollera om det finns slagvatten via inspektionsluckan innan du lämnar båten förtöjd vid brygga eller boj och innan du kastar loss. Eventuellt vatten kan tömmas genom denna servicelucka med en separat dräneringspump av rörtyp (tillvalsutrustning). Låt ett auktoriserat serviceföretag åtgärda eventuella läckage.

VARNING! Båtens köregenskaper kan ändras och bli livsfarliga om det finns slagvatten i båten.

VARNING! Under svåra väderförhållanden ska luckor och fack hållas stängda för att förhindra att vatten tränger in.

7.2. Stabilitet och flytbarhet

Observera att båtens stabilitet försämras av vilken som helst tyngd som är högt placerad. Alla förändringar i placeringen av vikt kan inverka betydligt på båtens stabilitet, trim och prestanda. Kom ihåg att stora brytande vågor alltid utgör en allvarlig fara för stabiliteten.

- Slagvattenmängden ska hållas så liten som möjligt.
- Båtens stabilitet kan försämras när den bogseras eller när tunga föremål lyfts i båten.
- Båten bär personerna ombord även när den är vattenfylld.

8. Förebyggande av brand och explosionsrisk

8.1. Tankning

Stäng av motorn och släck eventuella cigaretter innan du börjar tanka. Det är inte tillåtet att använda strömbrytare eller annat som kan bilda gnistor under tankningen.

Se alltid till att du har reservbränsle med dig. Lämpliga förvaringsutrymmen för reservdunkar är särskilt den bakre ankarboxen. Om du använder dessa finns det ingen risk för att förångat bränsle skulle nå batteriutrymmet eller elsystemet.

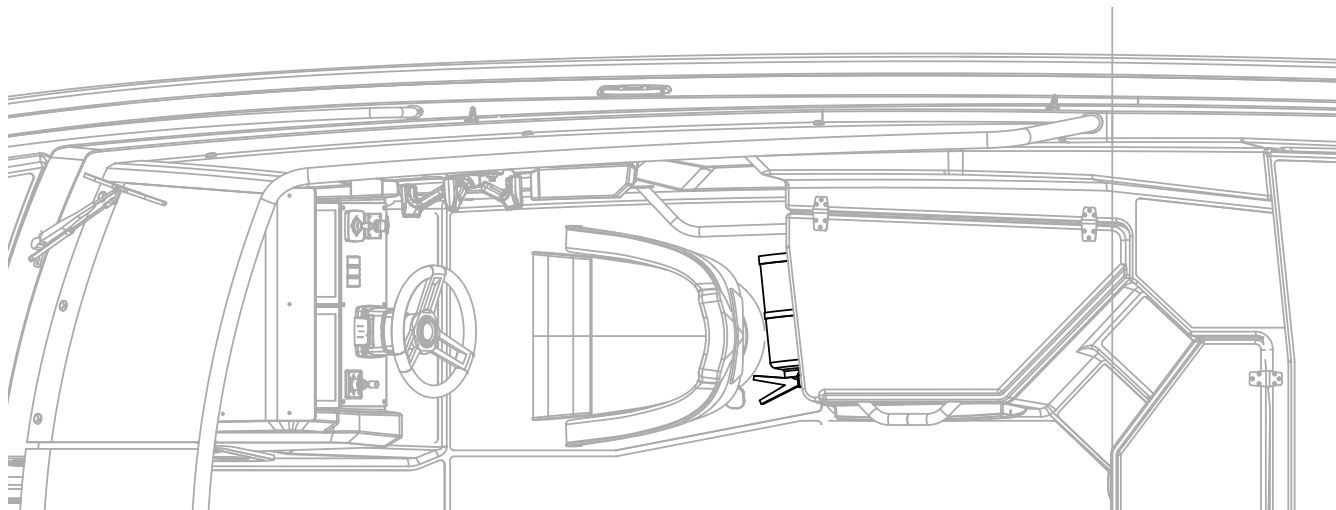
Undvik att förvara lösa föremål under akterbänken. Dessa kan förhindra bränsleförsörjningen till motorn om de rör sig. Detta gäller särskilt föremål som kan förskjutas mot bränsleledningar och filter. Kontrollera bränsleledningarna årligen för slitage, särskilt vid genomföringarna.

Observera att hela tankkapaciteten inte alltid kan användas beroende på båtens trim- och lutningsvinkel.

VARNING! Bränsleångorna är explosiva. Var ytterst försiktig och följ dessa instruktioner vid tankning. Bränslelukt betyder alltid att det finns förångat bränsle i båten.

8.2. Brandskydd

Båten är utrustad med en 2 kg:s handsläckare. Minimikravet på släckarens effekt är klass 8A 68 B. Släckaren är placerad i förvaringsutrymmet framför hjälpförarens pulpet. När båten används skall det alltid finnas en godkänd och kontrollerad släckare ombord. Släckaren skall kontrolleras varje år av en auktoriserad kontrollant för att säkra släckarens funktion. Om handsläckaren byts ut ska den nya handsläckaren ha åtminstone samma släckningskapacitet som den gamla.



Handsläckarens placering.

Se till att släckningsredskapen är lätt tillgängliga även när båten är lastad. Informera hela besättningen om släckningsredskapens placering och funktion.

Kom ihåg att aldrig:

- blockera åtkomsten av säkerhetsanordningar, t.ex. elsystemets strömställare
- blockera åtkomsten av handsläckaren i boxen
- ändra något i båtens system (särskilt el- och bränslesystemen) eller tillåta att en okvalificerad person utför ändringar i något av båtens system
- röka när bränsle eller gas hanteras.

OBS!

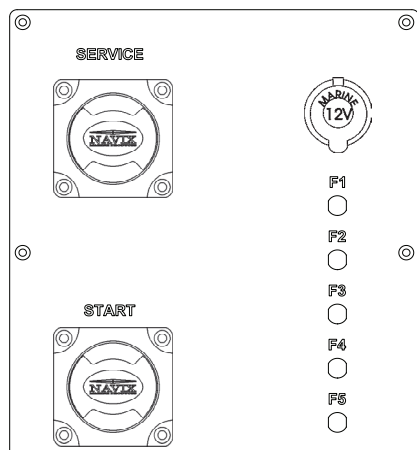
Håll mellanbotten alltid rent och kontrollera att inga bränsleläckage förekommer. Åtgärda eventuella läckage omedelbart.

9. Huvudbrytare och säkringar

Strömkretsarnas säkringar finns i huvudbrytarpanelen. Ändra inte säkringarnas amperevärde och installera inga komponenter i elsystemet som medför att strömkretsens nominella amperetal överskrids.

Huvudbrytarens funktion:

- spaken medsols -> strömkretsen påslagen
- spaken motsols -> batteriet avslaget från strömkretsen



F1 = Trim
F2 = Heater
F3 = NMEA2000
F4 = BILGE / Plotter direct
F5 = Spare / Power steering

Huvudbrytare och säkringar.

F1 = Trimflikar

F2 = Värmare

F3 = NMEA 2000

F4 = Länspump / Plotter

F5 = Ledig / Servostyrning

Alla säkringar är automatsäkringar. Automatsäkringens löser ut om en felström uppstår. Du kan "kvittera" säkringens genom att trycka in den. Om säkringens löser ut på nytt har en kortslutning uppstått i elsystemet eller i någon komponent. Låt en behörig elektriker reparera elsystemet i båten.

OBS! Bryt aldrig strömmen med huvudbrytaren när motorn är i gång! Detta kan skada motorns elsystem.

OBS! Det är inte tillåtet att utföra elinstallationer i båten med strömmen påkopplad.

OBS! Om extra utrustning installeras i båten skall en *ledig* strömkrets och en separat säkring användas (automatsäkringarna på plats F5). Anslut enheten både till strömförsörjnings- och till jordledningen. **Det är inte tillåtet att använda båtskrovet som jordningskrets.**

OBS! Var försiktig så att inte batteriets båda poler kommer i kontakt med något metallföremål samtidigt eller med båtskrovet när batteriet tas bort eller monteras.

10. Användning

Om detta är din första båt eller en ny båttyp för dig, skall du under de första resorna ta med dig en person med erfarenhet av motsvarande båtar.

OBS! Båtens största rekommenderade motoreffekt är 225 kW (300 hk). Använd inte båten med större motoreffekt än den som anges på tillverkarens skylt.

10.1. Fjärreglage

Det är lätt att lära sig manövrera båten, men ständigt växlande förhållanden, t.ex. vind och sjögång, ställer föraren inför nya situationer. I fjärreglaget kombineras gas, växel fram och bak samt inställning av motorns riggvinkel.

10.2. Nödstopp

Nödstoppet är en anordning där den ena änden fästs i en strömställare som finns under fjärreglaget och den andra t.ex. i livvästen. Nödstoppet stoppar motorn automatiskt när det lösgörs från strömställaren under fjärreglaget. Det är mycket viktigt att båten stannar om föraren av någon orsak tappar balansen och ramlar från styrplatsen.

OBS! Använd aldrig båten utan att fästa nödstoppet vid dig själv. Om du fäster nödstoppet vid handleden ska du inte styra båten med samma hand eftersom nödstoppslinan kan fastna i ratten vid snäva svängar.

OBS! Motorn startar inte om inte nödstoppet är fäst vid strömställaren under fjärreglaget.

FARA! En roterande propeller är livsfarlig för en person som har fallit i vattnet eller simmar. Använd nödstoppet och stäng av motorn när en person som simmar eller åker vattenskidor ska komma upp i båten.

10.3. Växlar och gas

Lägg i växeln genom att med fingrarna trycka upp knappen på växel/gasreglaget och sedan skjuta eller dra växel/gasreglaget framåt eller bakåt beroende på önskad rörelseriktning. När växeln är ilagd kan du reglera båtens hastighet med samma växel/gasreglage.

När båten rör sig långsamt framåt kan backläget användas som broms t.ex. när du lägger till vid en brygga. I högre hastighet än långsam rörelse framåt får backväxeln inte läggas i eftersom detta skadar motorn.

10.4. Justering av motorns riggvinkel

Grundreglerna för justeringen av riggvinkeln är följande:

- Ställ in läget "fören ned" medan båten lyfter i planing.
- Lyft fören när båten planar och våghöjden är låg tills motorn och båten rör sig lätt. Vid lugn sjö ska motorn trimmas åtminstone tre steg uppåt. Trimmätaren finns i varvräknaren. Om motorn trimmas för högt minskar båtens hastighet. Om båten körs med för liten trimning blir hastigheten lägre och motorn går tungt. Det är viktigt för bränsleekonomin att motorns trimning är korrekt (= rätt trimvinkel).
- Sänk fören i hård motsjö. Då rör sig båten mjukare.

- Lyft fören i medsjö så att den inte “dyker” in i vågorna.
- Vid backning ska trimvinkeln lyftas en aning uppåt för att höja motorns läge.

VARNING! Undvik att köra båten med motorn högt trimmad (= fören uppåt) eftersom båten kan kränga kraftigt när propellern träffar vattnet efter en luftfärd vid kraftig sjögång. Undvik också att köra i hög hastighet med motorn helt negativt trimmad (= fören nedåt) eftersom båten kan kränga oförutsett när fören träffar vattnet.

VARNING! Hög sjö försämrar båtens manövrerbarhet och får båten att kränga. Ta hänsyn till detta och sänk hastigheten när sjögången ökar.

10.5. Start av motorn

1. Slå på strömmen med huvudbrytaren.
2. Sänk motorn i körläge genom att med tummen trycka ned knappen Power Trim som finns på växel/gasreglaget.
3. Kontrollera att växel/gasreglaget är i friläge och att nödstoppet är anslutet till strömställaren vid fjärrreglaget.
4. Slå på strömmen utan att starta motorn och vänta ett par sekunder tills varningslamporna tänds.
5. Starta motorn genom att vrida tändnyckeln medsols tills motorn startar. Om allt fungerar ska motorn starta inom 1-2 sekunder. Om motorn inte startar får respektive startförsök pågå i högst 10 sekunder.
6. Låt motorn gå på tomgång några minuter när den har startat innan du ger dig iväg. (Se motorns instruktionsbok!)

Närmare instruktioner finns i motorns instruktionsbok.

10.6. Körning

Det är lätt att köra i vackert och lugnt väder. Kom ihåg att det ändå är nödvändigt att hålla utkik. För att få så god sikt som möjligt se till att:

- passagerarna placeras så att synfältet inte inskränks
- kör inte vid gränsen till planing så att förens höjd hindrar sikten
- hålla utkik ovanför vindrutan vid dålig sikt
- även hålla utsikt bakåt, särskilt i farleder

OBS! Använd navigationsljusen i mörker.

Anpassa alltid hastigheten efter förhållandena och omgivningen. Beakta följande:

- sjögången (fråga passagerarna vilken hastighet de anser vara komfortabel)
- båtens egen svallvåg (störst vid planingströskeln, minst vid displacementshastighet, dvs. under 5 knop)
- att upprätthålla kontinuerlig utsikt
- sikten (öar, dimma, regn, bländande solljus)
- kunskap om rutten (tid som behövs för navigering)
- väjningsregler (andra som rör sig på sjön)

- trängsel i farleden (andra som rör sig på sjön, buller och svallvågor mot stranden)
- se till att du alltid håller tillräckligt avstånd som räcker för att stoppa båten och väja för att undvika kollision

När en planande båt körs i låg hastighet är kursstabiliteten sämre än i högre hastigheter. Var därför uppmärksam i smala passager och särskilt vid möten med andra båtar.

Lär dig sjöreglerna (t.ex. med hjälp av publikationen "Regler för sjötrafiken" som utges av Edita) och följ anvisningarna i dem samt kraven i COLREG (internationellt regelverk för att undvika kollision till sjöss). Navigera med omsorg och använd nya eller uppdaterade sjökort.

Båtens gångläge påverkar kraftigt köregenskaperna och även bränsleförbrukningen samt sikten från styrplatsen. Du kan påverka gångläget:

- genom lastens placering. Den generella regeln är att ha så låg vikt som möjligt i fören.
- genom justering av motorns riggvinkel.

Rätt gångläge i kombination med lämplig hastighet gör också körning i sjögång angenämare och säkrare.

WARNING! Hög hastighet och plötsliga styrrörelser kan leda till att man tappat kontrollen över båten och till stora krängningsvinklar.

WARNING! Båten är inte konstruerad för användning i temperaturer under 0 °C. I sådana fall fryser dräneringssystemet och fungerar inte såsom det är avsett.

OBS! Båten är inte konstruerad för att hoppa från våg till våg så att den är helt ur vattnet. Garantin täcker inte skador som uppstår på grund av luftfärder. Eventuella luftfärder visas i motorhistoriken som kan kontrolleras av en serviceverkstad med hjälp av dator.

10.7. Till och från bryggan

Öva manövrering av båten genom att lägga till vid en brygga på en plats där det finns gott om utrymme innan du kör in båten i en trång hamn för första gången.

Alltför försiktigt gaspådrag ger inte tillräcklig styrförmåga. Använd tillräckligt gaspådrag under korta perioder för att åstadkomma effektiv styrning när du lägger till vid en brygga.

Se till att alla personer ombord, som inte behöver stå, sitter när du manövrerar båten mot bryggan. Plötsliga styrrörelser kan få båten att kränga och orsaka kroppsskador.

Se till att förtöjningslinorna är färdigt utlagda i fören och aktern innan du lägger till vid bryggan. Närma dig bryggan i liten vinkel med fören först. Vrid ratten mot bryggan och lägg i backen precis innan du berör bryggan. Ge ett kort och tillräckligt gaspådrag. Båten stannar och vänder sig i bryggans riktning. Om möjligt ska du närma dig bryggan mot vinden eller motströms beroende på vilken som är starkare. Då är det lätt att lägga ut när vinden eller strömmen trycker ut båten från bryggan. Det bästa sättet att lägga ut är att skjuta ut aktern så långt som möjligt från bryggan. Backa sedan långsamt ut från bryggan till fritt vatten.

Propellern är konstruerad för att ge bästa grepp i riktning framåt. Vid backning är propellerns effekt sämre. Båten lyder inte heller styrningen lika bra vid backning som vid körning framåt.

WARNING! Båten är snabb. Den stannar inte direkt från planingshastighet. Minska hastigheten när du närmar dig en strand eller brygga. Lär dig att bedöma den sträc-

ka som krävs för att bromsa in båten. Kom ihåg att båtens styrförmåga försämras när motorn inte driver.

VARNING!

Försök inte stoppa båten med handkraft och placera inte händer eller fötter mellan båten och bryggan, stranden eller en annan båt! Öva att lägga till under goda förhållanden! Använd motorkraften behärskat men målmedvetet!

OBS!

När du förtöjer båten ska du beakta förändringar i vindriktningen, vattennivåns upp- eller nedgång, vågor mot aktern osv. Ytterligare anvisningar får du bl.a. från försäkringsbolagen.

10.8. Användning av kapell

Kapellet är dimensionerat för att hålla i högst 30 knops hastighet på sjön och 50 km/h på landsväg. Alla tryckknappar ska vara ordentligt fästa under färd. Vi rekommenderar att du tar bort kapellets sidor och bakstycke för att förenkla inplaceringen i kapellgaraget. Därefter viker du sidornas övre delar helt och hållet upp på taket så att inget tyg sticker ut vid kapellbågarnas hörn. Rulla slutligen ihop taket omsorgsfullt inklusive de hopvikta sidodelarna ovanpå taket och lägg ned kapellet.

OBS!

Vindrutans och kapellets konstruktion är inte nödvändigtvis helt vattentät. När kapellet är uppfällt kan det tränga in vatten i båten mellan vindrutan och kapellet.

10.9. Dörrarna mellan vindruta och styrpulpet

Dörrarna ska alltid hållas stängda och låsta under färd.

VARNING!

Vid sjögång och i hård eller byig vind ska dörren vara stängd eftersom det annars finns risk för att den slår igen av sig själv. Dörren är tung och kan orsaka kroppsskador om den träffar en person när den slår igen.

11. Rätt användning – övriga rekommendationer och anvisningar

11.1. Man överbord

Situationen man över bord är alltid allvarlig. Det är viktigt att öva sådana situationer på förhand när vädret är bra. När en olycka inträffar finns inga övningsmöjligheter.

Båten är utrustad med en fastinstallerad badstege som kan nås även från vattnet. Stegen kan fällas ut till sin fulla längd genom att dra i den uppfällda förlängningsdelen. Akta dig för stegens teleskopdel. Den kan glida ut till sin fulla längd då man faller ner den och motsvarande då man faller upp den.

Det är bäst att hjälpa en person som har fallit överbord tillbaka upp i båten vid aktern. En repögla som är fäst i båten underlättar uppdragningen. Båtens badstege sträcker sig cirka 30 cm under vattenytan.

Det är ytterst viktigt att hålla ögonkontakten och samtalskontakt med den person som fallit över bord.

FARA!

En roterande propeller är livsfarlig för en person som har fallit i vattnet eller simmar. Använd nödstoppet och stäng av motorn när en person som simmar eller åker vattenskidor går ner i vattnet eller kommer upp i båten.

11.2. Säkring av lös utrustning

Säkra alla tunga föremål, t.ex. ankaren, tillförlitligt innan du kastar loss.

11.3. Hänsyn till miljön

Vår skärgård och våra sjöar är unika och det är en hederssak för båtmänniskor att bevara denna natur. Undvik därför:

- bränsle- och oljeläckage
- att tömma skräp och avfall i sjön eller att lämna det på stranden
- att släppa ut tvättmedel och lösningsmedel i sjön
- kraftigt oljud både på sjön och i hamn
- onödigt höga svallvågor särskilt i sund och på grunt vatten.

Underhåll motorn och kör med ekonomisk hastighet så att utsläppen av avgaser hålls låga.

För vissa länder gäller den s.k. allemansrätten som ger alla människor rätt att röra sig i naturen, med undantag för gårdsområden, om man inte orsakar skador eller olägenheter. Enligt denna rätt är det också tillåtet att röra sig med båt och ankra, bada och stiga i land vid en obebodd strand om det inte särskilt är officiellt förbjudet. Ankring vid bebodda stränder är förbjuden. Det är inte heller tillåtet att förtöja vid en privat brygga eller bebodd strand.

Läs igenom de internationella regler om att förhindra förorenande av haven (MARPOL) och respektera dem i så hög grad som möjligt.

Enligt allemansrätten är det tillåtet att tälta på öar om det inte orsakar skador för markägaren. Det är förbjudet att tälta nära gårdsområden och odlingar. Markägarens tillstånd krävs för att tända en lägereld. Båtmänniskor får också plocka vilda bär och svampar om detta inte skadar träd och naturen. Kontrollera vilka regler som gäller för ditt område när du rör dig i naturen.

11.4. Förtöjning och ankring

Förtöj alltid båten omsorgsfullt även på skyddade ställen, eftersom förhållandena kan ändras snabbt. Förtöjningslinorna bör vara försedda med dämpare som dämpar ryck. Fästpunkterna beskrivs i avsnittet *Bogsering*. Använd tillräckligt stora fendrar för att förhindra nötskador.

Stävöglan på båten är avsedd att användas vid trailertransport. Öglan på däckets är avsedd för att låsa båten. Öglornas placering beskrivs i avsnitt 8.

OBS! Se till att låset eller kättingen inte nöter mot däckets kant.

Hållfastheten framåt för de främre pollarna och hållfastheten bakåt för de bakre pollarna är minst 12,6 kN, dvs. cirka 1 300 kg. Linornas brotthållfasthet bör vara lägre än 1300 kg så att linan går av innan pollaren eller dess fäste ger efter.

Det ankare som används för båten ska väga minst 5 kg. Fäll ankaret tillräckligt långt från stranden. Ett rimligt fäste uppnås när linans längd är 4–5 gånger vattendjupet.

VARNING!

Försök inte att stoppa båten med handkraft och placera inte händer eller fötter mellan båten och bryggan, stranden eller en annan båt!

OBS!

När du förtöjer båten ska du beakta förändringar i vindriktningen, vattennivåns upp- eller nedgång, vågor mot aktern osv. Ytterligare anvisningar får du bl.a. från försäkringsbolagen.

OBS!

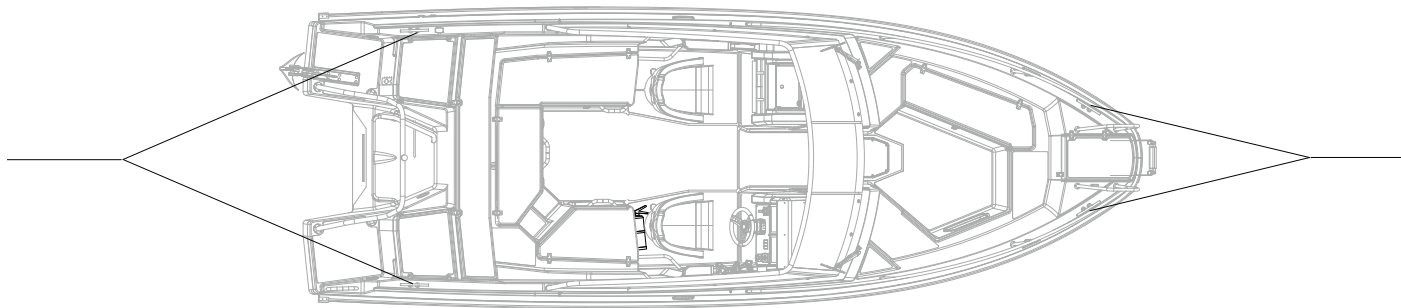
Båtägaren/användaren ansvarar för kontrollen av att båtens förtöjnings- och ank-ringsutrustning är lämplig för båtens användning.

11.5. Bogsering

Använd en tillräckligt kraftig, flytande bogserlina vid bogsering av en annan båt. Börja bogseringen försiktigt, undvik ryck och överbelasta inte motorn.

Båtägaren ska överväga vilka åtgärder som är viktiga när han/hon fäster bogserlina i båten.

När du bogserar eller om din båt behöver bogseras ska du fästa bogserlinan vid pollarna enligt bilden nedan.



Fastsättning av bogserlina vid pollarna.

VARNING!

Bogserlinan är mycket spänd. Om den brister kan den lösa änden få en livsfarlig hastighet. Använd alltid en lina med tillräcklig tjocklek och vistas inte i linans dragriktning.

OBS!

Använd låg hastighet när du bogserar eller bogseras. Se till att skrovhastigheten aldrig överskrids vid bogsering av en displacementbåt. (Hastighet innan båten planar).

OBS!

Bogserlinan ska alltid fästas så att den kan lösgöras när den är belastad.

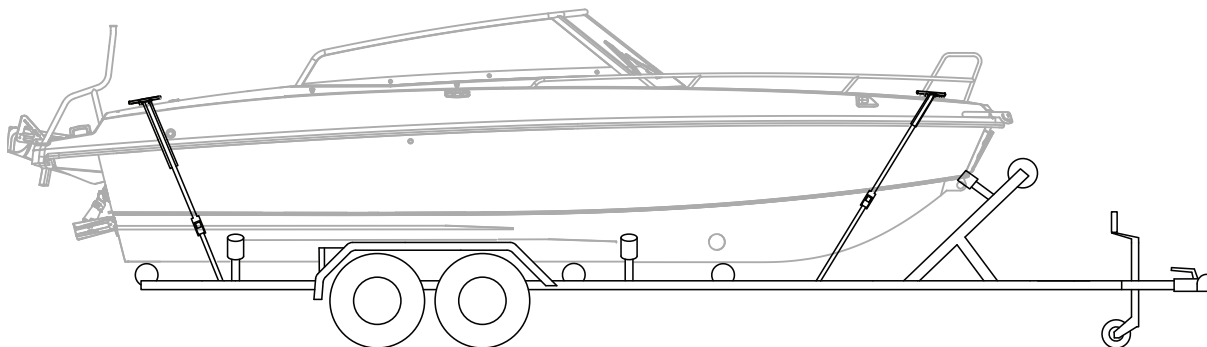
11.6. Transport på trailer

Uppgifterna om vikten vid trailertransport finns i den *tekniska specifikationen*. Trailerns stöd för kölen ska bära största delen av båtens vikt. Ställ in sidostöden så att båten inte kan gunga i sidled. Be vid behov att få mer information om korrekta stöd och rätt trailerstorlek av återförsäljaren.

Rengör stöden och avlägsna sand och föroreningar så att båtbottnen inte repas. Kontrollera ytterligare en gång att låsningen mellan trailern och bilens dragkrok är säker!

Upptagningsplatsen ska vara skyddad och trailerrampen nå tillräckligt djup. Backa ut trailern så djupt att det bakre stödet för kölen är precis under vattenytan. Kör båten försiktigt mot det bakre stödet för kölen. Fäst vinschlinan i stävöglan.

Vinscha upp båten på trailern. Se hela tiden till att båtens riktning överensstämmer med trailerns centrumlinje. Kom ihåg att trimma upp motorn så att den inte tar i botten när du drar upp båten på trailern.



Fastsättning på trailer.

Spänn fast båten stadigt vid trailern innan transporten inleds. Linorna i fören ska riktas nedåt-bakåt och linorna i aktern nedåt-framåt. Lämna inga lösa föremål eller extra last i båten under transporten. Ta bort sittdynorna och stäng alla luckor ordentligt.

Motorn ska vara i körläge under transporten. Se dock till att markfrigången är tillräcklig. Om markfrigången är otillräcklig kan motorn transporteras i tiltat läge. Se då till att motorn är låst i det övre läget.

Tvätta och spola båten direkt efter transporten. Om vägarna är saltade ska speciell uppmärksamhet läggas vid tvättningen och spolningen av aluminiumskrovet. Om inte vägsaltet spolas bort kan saltet lämna permanenta märken på aluminiumskrovet. Om båten förvaras på trailern mellan transporterna ska linorna lossas under förvaringen och spännas på nytt före nästa transport.

OBS!

Trailern skall vara en aning förtung. Lämplig bomvikt är 4 % av trailerns totalmassa, dock minst 25 kg. Bomvikten i vertikal riktning får dock inte överstiga fordonstillverkarens maximalt godkända belastning på dragkroken. Se till att båten är tillräckligt stadigt surrad vid trailern och att vikten är jämt fördelad mot sidostöden. Om en gungande båt slår mot ett enskilt stöd under transporten kan skrovet skadas.

Kom ihåg att fästa en lina vid fören innan båten sjösätts så att du kan ta loss trailerlinan från bogseringsöglan direkt när båten är i sjön. Se upp för vinschveven!

11.7. Sliptagning

Vaggan för vinterförvaring ska vara tillräckligt stabil för denna kombination av båt och motor. Lägg en stadig plank (t.ex. 2x4") mellan v-bockarna så att den stöttar kölen och bär majoriteten av båtens vikt. Sidostöden får inte bära båtens vikt. Sidostöden får inte vidröra steglisterna. Undvik punktlaster. Stödkonstruktionerna ska vara särskilt kraftiga i närheten av akterspegeln så att de även bär motorns vikt. Låt endast ett tillförlitligt kranföretag eller ett båtvarv med tillräcklig lyftkapacitet utföra lyftuppdraget. Beakta förutom båtens egen vikt (se tekniska specifikationen) den utrustning och övriga last som finns i båten.

När båten lyfts med linor ska de placeras under båtbottnen och man ska se till att båten hålls horisontell under lyftet.

OBS! Pollarna får inte användas för att lyfta båten.

FARA! Gå aldrig under en båt som endast hänger i en lyftkran.

11.8. Underhåll av båt och utrustning

Håll båten och utrustningen ren och snygg. Då ökar trivseln och säkerheten samt båtens andrahandsvärde. Läs igenom beskrivningen av serviceåtgärderna i motorns instruktionsbok (bilaga). Utför service på motorn enligt motorns instruktionsbok.

11.9. Tvätt och vaxning av båten

Rengöring av glasfiberytor

I allmänhet räcker tvätt och vaxning för skötseln av däck. För tvättningen lämpar sig de särskilda båttvättmedlen bäst. Undvik starka lösningsmedel eftersom de kan dämpa ytglansen. Ett mildt slipande polermedel kan användas för att åtgärda nöta ytor och ingrodd smuts. Båtens aluminium- och glasfiberytor kan tvättas med högtryckstvätt. Följ instruktionerna från tillverkarna av tvätt- och båtvårdsmedlen. Rengörings- och skötselanvisningarna nedan avser Star bright-produkter som finns i välsorterade båtaffärer.

Tips: Tvättningen av båten underlättas om den tvättas direkt när den har tagits upp ur vattnet.

OBS! Tvätta inte skrovet under fenderlisten och vid tätningsflänsens fog med högtryckstvätt. Strålen från högtryckstvätten kan skada limfogen

OBS! Se till att inte rikta strålen direkt mot luftventilerna i båten. Då kan vatten tränga in i båten och i båtens konstruktioner.

Båtens instrumentpanel, handskfackslucka och främre ankarboxens bakvägg är av plast och kan tvättas t.ex. med tvålvatten. Använd aldrig lösningsmedel för att rengöra dem.

Rengöring av aluminiumskrovet

Tvätta först bort lös smuts från partierna ovanför vattenlinjen med båttvättmedlet *Star brite Boat Wash in a Bottle* (starkt koncentrat 3 kapsyler/10 liter vatten). Torka båten.

Tvätta vattenlinjen och botten i temperaturer över +10 °C när båtskrovet har torkat fullständigt. Använd *Star brite rengöringsmedel för aluminium* för tvättningen av vattenlinjen och botten. Medlet avlägsnar vattenväxter och smuts från vattenlinjen och botten.

Star brite rengöringsmedel för aluminium är enkelt att använda: Häll rengöringsmedlet i en plasthink, borsta båtskrovet i vertikal riktning nedifrån uppåt för att förhindra att medlet rinner. Låt rengöringsmedlet verka i 1-2 minuter (men inte så länge att medlet hinner torka). Spola av grundligt. Rengöringsprocessen blir snabbare och effektivare om man gnuggar ytan med svamp eller borste under verkningstiden. Om du arbetar i solsken ska du per gång endast tvätta ett så stort parti som du hinner tvätta innan det torkar.

Skydd för aluminiumskrovet

När aluminiumskrovet är fullständigt rent och torrt kan båtens aluminiumskrov skyddas mot oxidation. Spreja *Star brite skyddspolish* för aluminium på den yta som ska behandlas och sprid ut med en mjuk luddfri trasa. Vi rekommenderar att du använder *Star brite skyddspolish* för aluminium direkt på en ny båt innan den sjösätts för första gången om du vill förhindra att aluminiumytorna oxiderar. Oxideringen är en naturlig reaktion mot korrosion hos aluminiumytor och påverkar inte båtens egenskaper på annat sätt en utseendemässigt.

Tips: En båt som tvättas med vattenledningsvatten får en tunn, kritaktig kalk- och mineralbeläggning när den torkar beroende på vattnets hårdhet. Undvik detta genom att blanda några droppar tallsåpa i sköljvattenhinken.

Tips: Avlägsna vattendroppar- och kalkfläckar från syrafasta räcken med hjälp av möbelmedlet *Lemon Pled*

Tips: Om linorna i båten luktar illa efter säsongen kan du ta en hink vatten, hälla i en flaska äppelvinäger och en skvätt sköljmedel och sedan lägga i linorna under ett par timmar. Låt dem torka ordentligt och de är som nya.

OBS! Se till att de rengörings-, ytbehandlings- och skyddsmedel som används är lämpliga för aluminium och andra ytor som behandlas. Följ anvisningarna från kemikalietillverkaren.

Aluminiumdurk (tillvalsutrustning)

Aluminiumdurken är gjord av svarteloxerad aluminiumplåt.

Svarteloxerat aluminium bleknar en aning i solsken.

Garantin ersätter inte för aluminiumdurk som bleknat eftersom blekningen är en egenskap och inte ett tillverkningsfel.

11.10. Skötselansvisningar för sittdynorna

Skydda alltid dynorna i båtens sittbrunn mot regn med kapellet eller en hamnpresenning. Även om sittdynorna och förarsätet är tillverkade av vattentätt material så är sömmarna inte täta. Om dynorna är fuktiga under en längre tid kan de angripas av mögel och förstöras. Om dynorna blir våta kan överdraget tas bort genom att öppna blixtlåset. Låt sedan dynan torka i solsken, i värmen inomhus eller i bastu (max + 50 °C). Garantin ersätter inte sittdynor som har förstörts av regn eller fukt.

OBS! Båtens sittdynor måste förvaras på en torr och välventilerad plats för att de ska bevaras i gott skick över vintern.

OBS! Våta dynor ska inte placeras i slutna förvaringsutrymmen eftersom de då lätt angrips av mögel.

OBS! De enskilda stolarna skall alltid skyddas med skyddshuvan då båten inte används. Ifall stolarna har blivit våta under bruk, skall de torka ordentligt före de täcks in med skyddshuvan.

Behandla sittdynornas tryckknappar med silikonvaselin med jämna mellanrum annars kan de fastna så hårt att överdragstyget rivs sönder när man tar bort dynorna. Garantin ersätter inte sittdynor som rivits sönder. Använd en mycket liten mängd silikonvaselin per gång så att dynorna inte fläckas ned.

11.11. Skötsel­anvisningar för kapellet

Förvara kapellet över vintern i ett torrt och väl ventilerat utrymme. Garantin ersätter inte ett sönderrivet kapell.

11.12. Skötsel­anvisningar för vindrutan

Båtens vindruta och dörrarna mellanpulpeterna är av akryl och kan tvättas med tvål­vatten (t.ex. bilschampo). Lös­nings­medel får inte användas på akryl.

Tips: Undvik roterande rörelser när du putsar vindrutan. Detta kan orsaka förtretliga cirkulära repor i glaset som syns i motljus och stör sikten. Använd tidningspapper eller en bomullstrasa och torka den fuktiga tvättade vindrutan först i vågrät och sedan i lodrät riktning. Upprepa detta några gånger så har du skinande rena rutor.

11.13. Skötsel­anvisningar för syrafasta delar

För att bevara glansen och skicket hos båtens delar av syrafast stål, t.ex. handtag, räcken och pollare, ska båtägaren se till att delarna är rena och vaxade. Även kanterna på räckenas fotpartier ska rengöras. Smuts som blir kvar under fotkanten börjar så småningom att se ut som rost. Om inga skador har inträffat ska delarna rengöras och behandlas med vax minst två gånger per sommar. Även på hösten när båten tas upp för vinterförvaring ska räckena rengöras och behandlas med vax.

11.14. Skötsel­anvisningar för fjärreglaget

Under normala förhållanden behöver fjärreglaget inget annat underhåll än smörjning och justering i samband med vinterservicen. Om fjärreglage av någon anledning blir trögt ska service utföras omedelbart.

11.15. Skötsel­anvisningar för styrsystemet

Båten är försedd med kabelstyrning som normalt inte kräver något annat underhåll än smörjning och kontroll i samband med årsservicen. Utför omedelbart service på styrsystemet om styrningen känns trög eller kärvar.

11.16. Skötsel­anvisningar för elkomponenterna

Normalt krävs ingen service för elkomponenterna, t.ex. huvudbrytaren, alla övriga strömställare och anslutningar, om båten vinterförvaras på en torr och välventilerad plats. Om du vill skydda elkomponenterna i båten mot oxidation är det bästa sättet att spreja kontaktytorna med fukt- och korrosionsskyddsmedel.

11.17. Små ytreparationer

Du kan reparera små ytskador i däcket själv. Det krävs emellertid färdighet för att åstadkomma ett snyggt

slutresultat som inte märks:

1. Skydda området kring skadan med tejp.
2. Slipa skadans kanter i vinkel och rengör med aceton.
3. Om djupet på skadan överstiger 2 mm är det bäst att fylla skadan med spackel före målningen.
4. Blanda 1,5-2 procent härdare i topcoaten.
5. Applicera topcoaten på skadan så att ytan blir något högre än den omgivande ytan.
6. Lägg försiktigt tejp på reparationsstället.
7. Ta bort tejpens när topcoaten har härdat och slipa vid behov med vattenslippapper nr 600 och 1200.
8. Polera reparationsstället med slippasta och vaxa.

De kulörer som används i båten finns angivna i den *tekniska specifikationen*. Det är bra att veta att färg som kallas gelcoat används vid tillverkningen av båten, men att ytan senare alltid repareras med färg som kallas topcoat. Gelcoatfärgen kräver en form för att härdas, medan paraffin har tillsatts i topcoaten för att möjliggöra härdning utan form.

WARNING!

Var försiktig när du hanterar härdare. Om härdarbehållaren/flaskan läcker eller om härdare läcker ut på t.ex. ett smutsigt golv eller på en trasa finns det mycket stor risk för att trasan antänds. Var försiktig och kasta inte trasor eller kärl som innehåller en blandning av topcoat och härdare i sopkärl. Använd alltid skyddsglasögon när du hanterar topcoat eller härdare. Om du får härdare i ögonen ska du omedelbart spola med kranvatten och därefter uppsöka läkare.

OBS!

Felaktigt utförda efterinstallationer och ändringsarbeten kan skada konstruktioner i båten eller utgöra en risk för säkerheten. Kontakta återförsäljaren om du planerar att göra förändringar i båten.

OBS!

Det är viktigt att använda nitar och skruvar som är tillverkade av aluminium eller syrafast stål när tilläggsutrustning installeras. Det finns en färdigt förberedd installationsplats för givare till ekolod i båtens akterspegel.

OBS!

Vid installation av tilläggsutrustning på aluminiumyta (**på andra ställen än sådana som är färdigt förberedda**) ska du alltid använda blindnitar av aluminium och isolerande brickor mellan tilläggsutrustningens monteringsyta och aluminiumytan för att minimera korrosionen.

12. Vinterförvaring av båten

Upptagning av båten för vinterförvaring är en rutin som återkommer varje höst. Ta upp båten i god tid innan isen lägger sig. Båten är inte dimensionerad för gång i is och inte avsedd för användning i temperaturer under 0 °C (t.ex. dräneringssystemet för regnvatten fryser). I samband med vinterförvaringen är det bäst att utföra alla service-, reparations- och kontrollåtgärder.

Läs igenom beskrivningen av serviceåtgärderna i motorns instruktionsbok. Vi rekommenderar att ett auktoriserat serviceföretag anlitas för servicen. Kom också ihåg serviceåtgärderna på fjärreglaget och styrsystemet. Utför serviceåtgärderna enligt de separata anvisningarna och instruktionsböckerna.

12.1. Åtgärder före vinterförvaring

Ta upp båten i god tid innan isen lägger sig. Båten är inte dimensionerad för gång eller förvaring i is.

Spola av båtens botten omedelbart efter upptagningen. Alger och slem lossnar lättare innan de har hunnit torka.

Utför vinterservice på motorn och övrig utrustning enligt respektive instruktionsbok. Om du förvarar båten utomhus under vintern eller i fuktiga utrymmen ska du ta bort alla textilföremål och annan utrustning som kan angripas av mögel eller förstöras av fukt. Tvätta linorna i färskvatten. Byt ut slitna linor. Låt genomföringarnas ventiler vara öppna. Ta loss dräneringspluggen och låt den vara lös under vintern.

Elektriska instrument skyddas bäst både mot korrosion och mot stöld om de demonteras och förvaras på en torr plats inomhus under vintern. Ta loss batterierna och förvara dem på en varm, torr plats. Ladda batterierna åtminstone ett par gånger under vinterns lopp. Spreja anslutningarna i elsystemet med ett för ändamålet lämpligt fukt- och korrosionsskyddsmedel.

Täck över båten så att vatten och snö inte samlas inne i den. Se dock till att ventilationen är tillräcklig. Du kan köpa vinterförvaringsskydd till din båt som tilläggsutrustning.

OBS! Se till att vinterpresenningen och dess fästlinor inte kommer i kontakt med aluminiumskrovet. Om presenningen eller fästlinorna skaver mot aluminiumskrovet uppkommer svarta märken.

12.2. Åtgärder på våren före sjösättning

Reparera eller låt reparera eventuella skador i gelcoaten enligt avsnitt 6.9.

Förhindra påväxt på botten inom havsområden med antifoulingfärg. Förorening av botten och särskilt propellern ökar bränsleförbrukningen väsentligt. Om båten ligger i en älvmyrning eller i Bottenhavet, eller om den tas upp ur vattnet med cirka två veckors intervall, behövs ingen antifoulingfärg. Följ färgtillverkarens anvisningar noggrant vid målningen. Om du slipar bort gammal antifoulingfärg, tänk på att slipdammet eller -slammet är giftigt. Inom insjöområden behövs ingen antifoulingfärg.

OBS! Måla inte zinkanoderna, kolvstängerna i trimplanens hydraulcylindrar eller ekolodets givare. Bly- eller kopparhaltiga färger får inte användas på aluminiumdelar. Följ färgtillverkarens anvisningar. Garantin täcker inte skador på skrovet som orsakas av bly- eller kopparhaltiga antifoulingfärger.

Tips: Kasta inte bort en använd målarpensel. En målarpensel med antifoulingfärg som har torkat kan användas på nytt om den blötläggs i ett par timmar i en blandning av två liter varmt vatten, en deciliter ättika och en halv deciliter bakpulver.

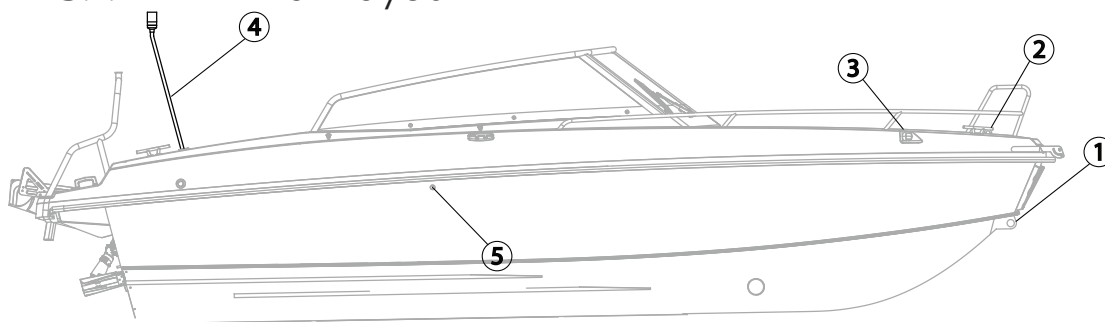
Utför de serviceåtgärder motorn kräver enligt motorns instruktionsbok. Kontrollera den elektriska utrustningens funktion och rengör oxiderade säkringar och andra kontaktytor.

Kom ihåg att bensin åldras. Starta därför alltid motorn med ny bensin på våren.

När båten är sjösatt ska du öppna alla genomföringsventiler och kontrollera att inga läckage förekommer i slangar eller kopplingar. Genomföringarnas placering visas i avsnitt 5. Säkerhetsutrustningen ska tas ombord innan du ger dig ut på sjön.

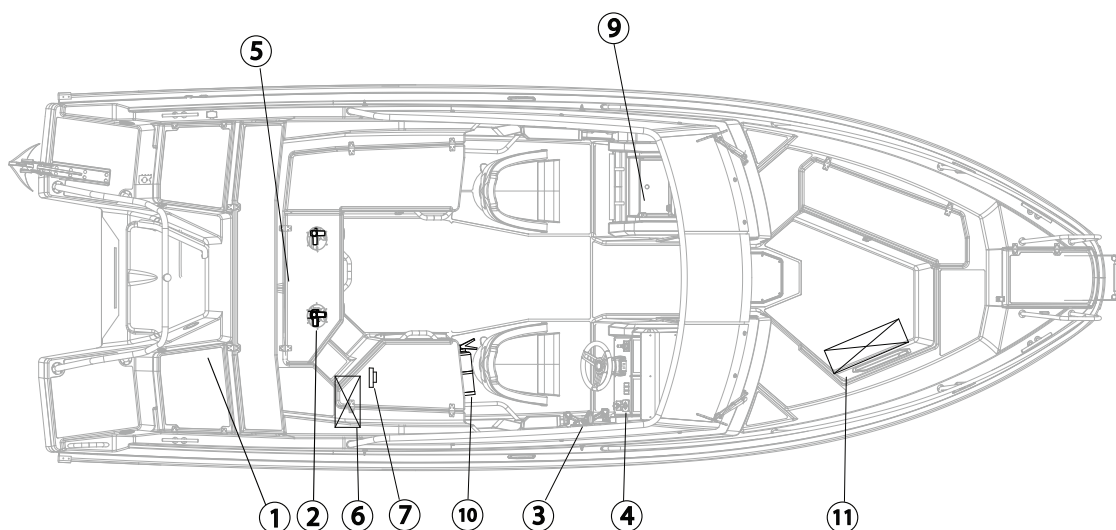
13. Layout

13.1. Allmän layout



- 1. Stävögla
- 2. Låsögla
- 3. Navigationsljus

- 4. Lanternmast
- 5. Bränsletankens luftningsbeslag



- 1. Beslag för bränslepåfyllning
- 2. Ventil för regnvattendränering
- 3. Fjärreglage
- 4. Tändlås
- 5. Bränslefilter

- 6. Batteri
- 7. Huvudbrytare
- 8. Säkringspanel
- 9. Handskfack
- 10. Brandsläckare

- 11. Livflotte

VARNING!

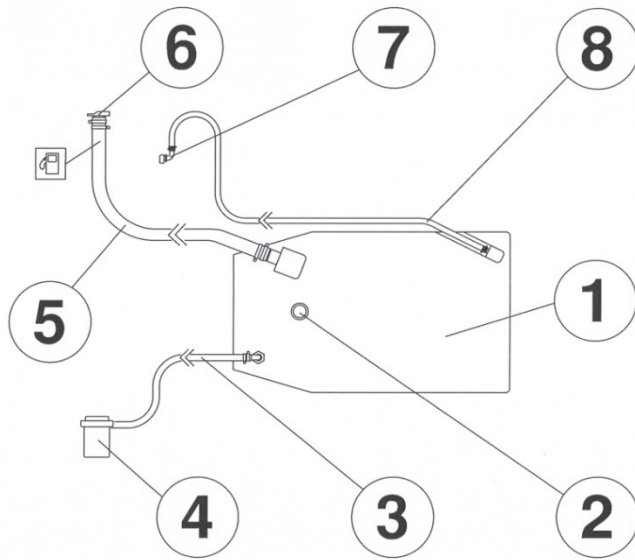
Hantera luckorna i båten försiktigt. Undvik att lägga fingrar och tår mellan luckorna.

13.2. Bränslesystem

Båten är utrustad med en fast bränsletank. Ett bränslefilter är installerat i bränslelinjen. Filtret sitter under akterbänken på förarsidan. Filtret ska bytas åtminstone en gång per år. När ett nytt filter eller ett demonterat filter monteras måste bränsleledningen fyllas med bränsle med hjälp av pumpen i bränsleslangen innan motorn startas.

OBS!

Kontrollera bränsleslangarnas kondition årligen och förebygg skador på slangarna. Byt omedelbart ut skadade bränsleslangar. Se till, när bränsleslangar byts, att de nya slangarna är försedda med märkningen ISO 7840.



- | | |
|-----------------------------|-------------------------------------|
| 1. Bränsletank | 5. Bränsletankens påfyllningsslang |
| 2. Bränsletankens indikator | 6. Bränsletankens påfyllningsbeslag |
| 3. Bränslematningsslang | 7. Bränsletankens luftningsbeslag |
| 4. Bränslefilter | 8. Bränsletankens luftningsslang |

Bränsletankens påfyllningsbeslag är placerat höger om motorbrunnen från aktern sett.

13.3. Styrsystem

Båten är försedd med hydraulstyrning.

Hydraulslangarnas längd är:

- 2 x 2,5 m

- 2 x 3,5 m

OBS!

Om du byter en komponent som ingår i styrsystemet är det viktigt att du känner till att alla komponenter måste fylla kraven i standarden ISO 10592 och vara CE-märkta.

13.4. Elsystem

Elsystemet i Yamarin Cross 54 BR innehåller följande huvudkomponenter:

1. Kablage
2. Huvudbrytare
3. Brytare
4. 2 st.12 V-uttag
5. Navigationsljus

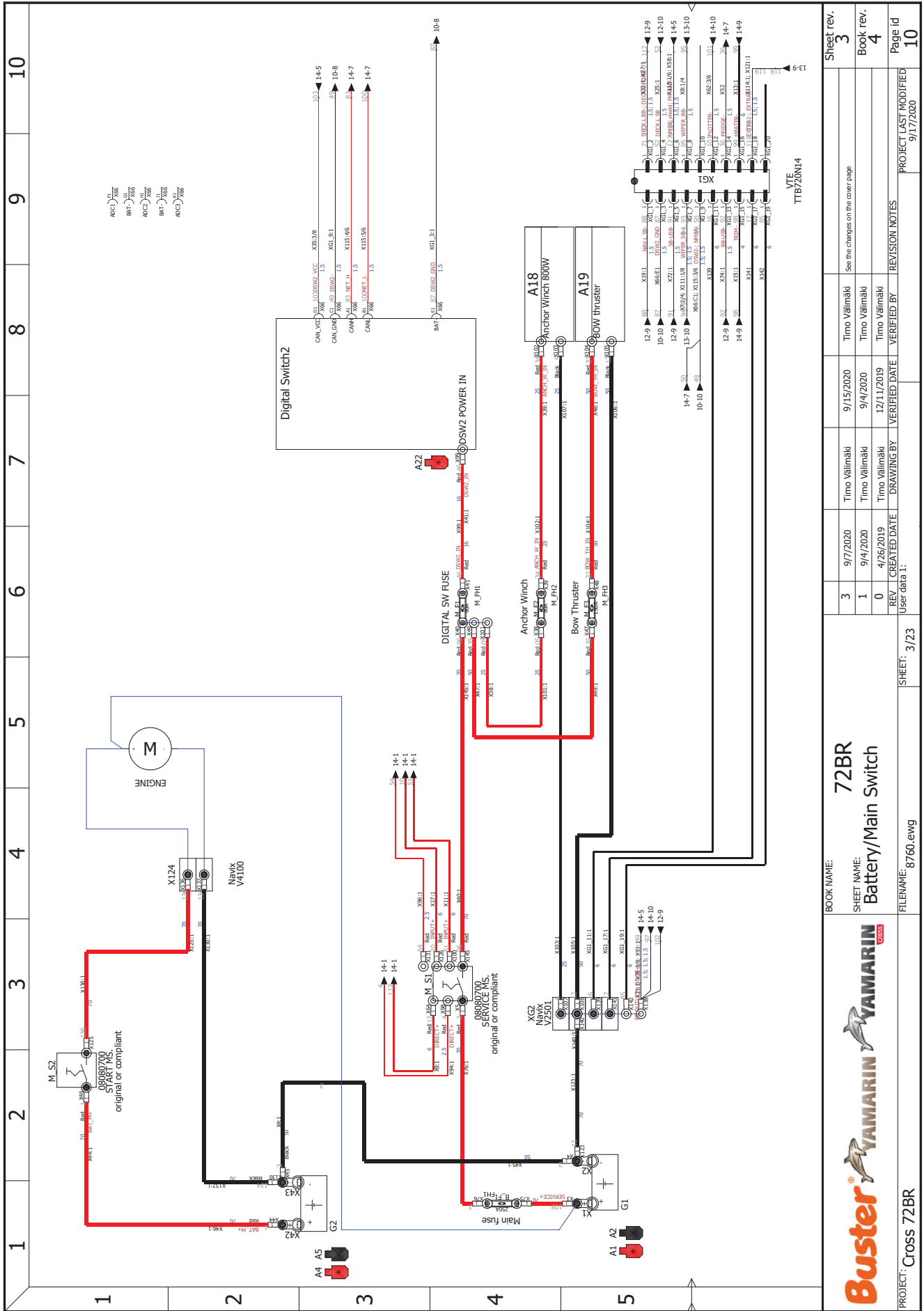
Motorn ingår dessutom som en väsentlig del i elsystemet. Motorn fungerar både som strömkälla och förbrukare.

Stäng alltid av strömmen med huvudbrytaren när båten lämnas för en längre tid. Strömmen ska också stängas av då elinstallationer utförs.

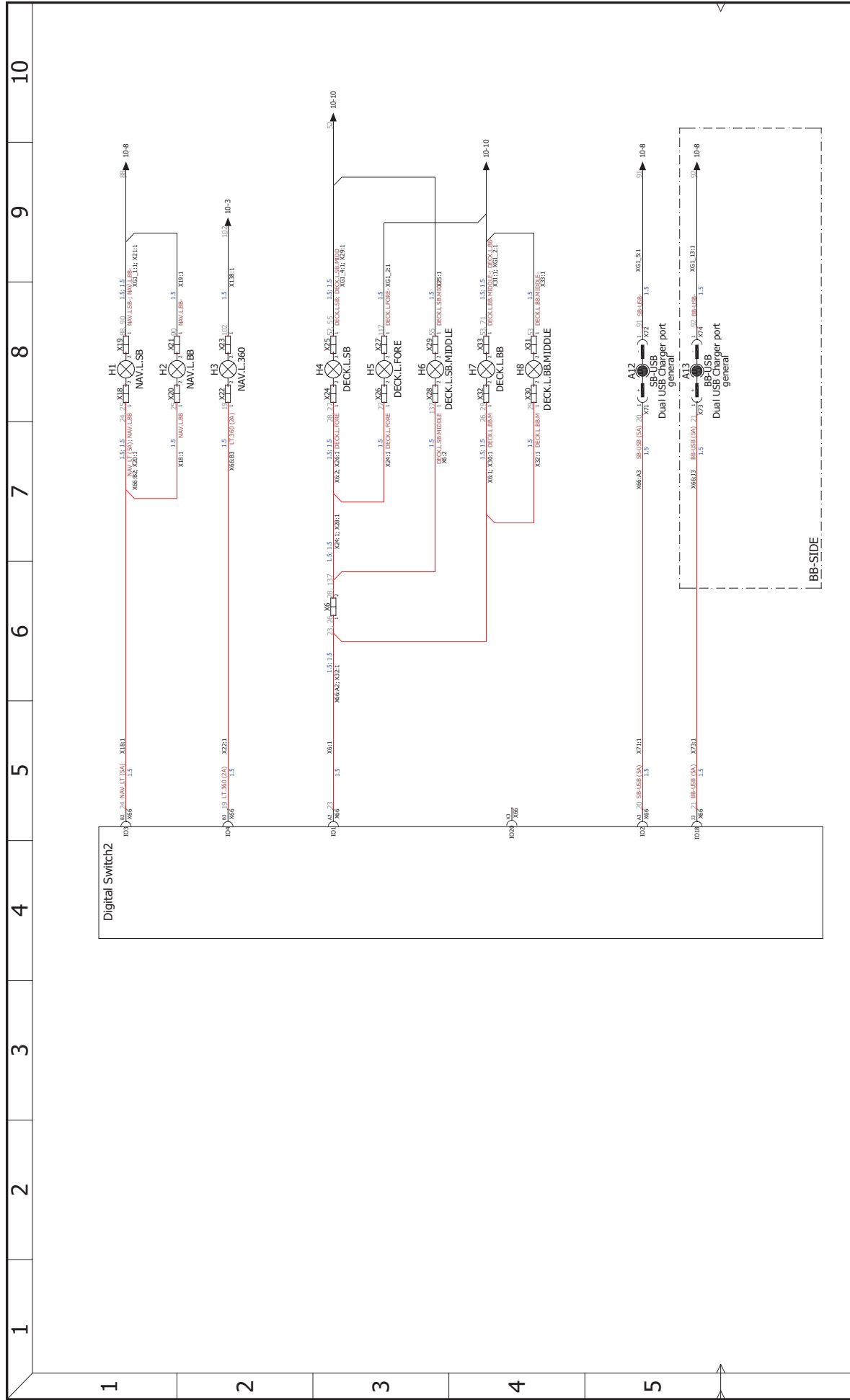
Var försiktig så att inga metallföremål kommer i kontakt med båda polerna samtidigt när batteriet tas bort eller läggs tillbaka. Var även i övrigt försiktig om batterier måste laddas med en separat batteriladdare. Laddning med för hög strömstyrka orsakar fara för explosion.

Ändra inte elsystemet i båten eller elsystemets ritningar; låt en yrkesman utföra ändringar och service.

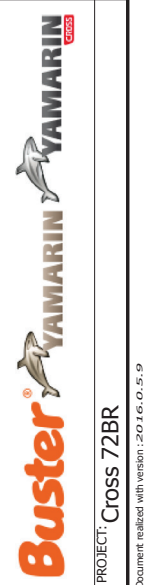
14. Kopplingschema

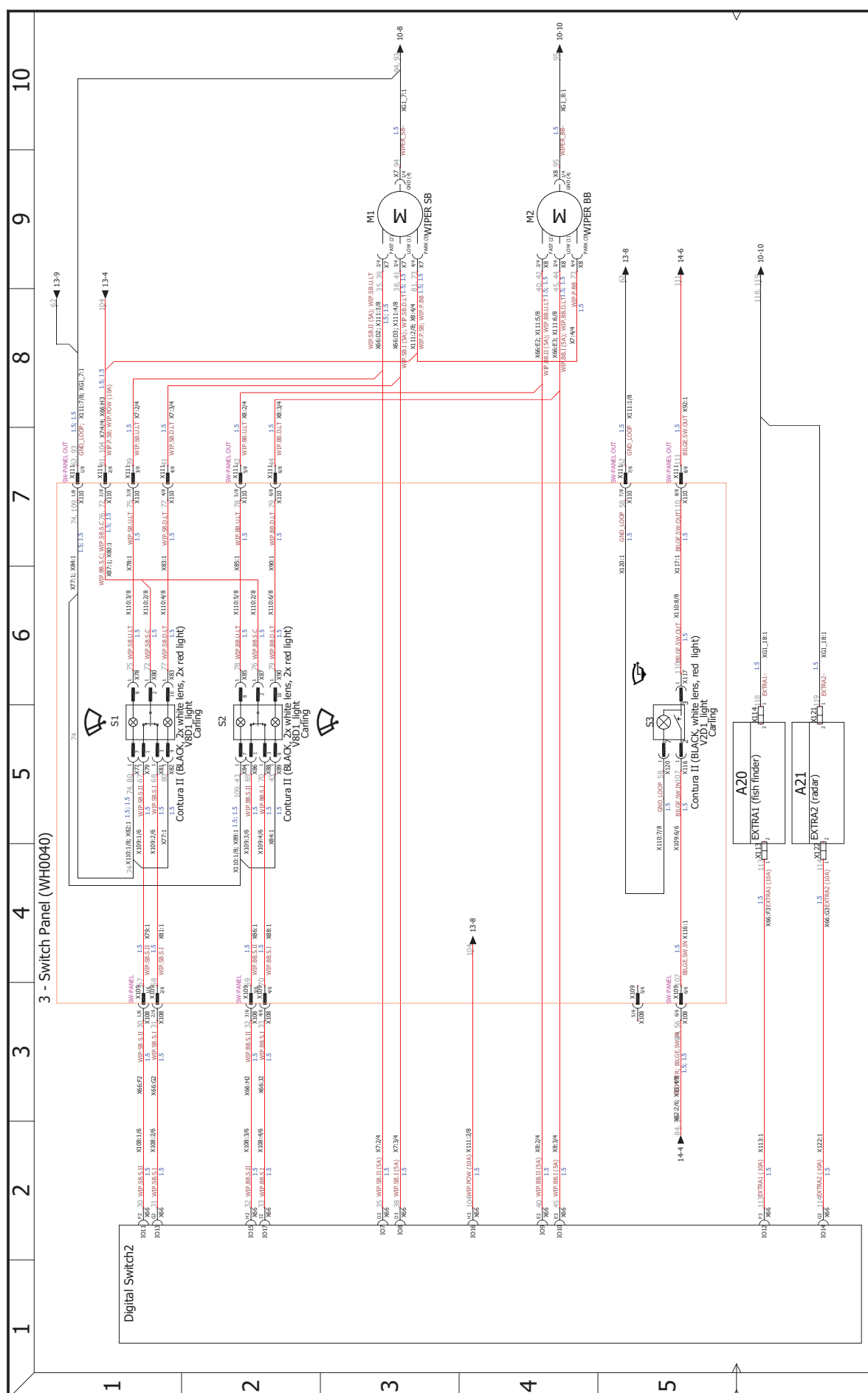


PROJECT: Cross 72BR		SHEET: 3/23		FILENAME: 8760.ewg		BOOK NAME: 72BR		SHEET rev. 3	
SHEET NAME: Battery/Main Switch		DRAWING BY: Timo Välimäki		VERIFIED DATE: 12/11/2019		REVISION NOTES: REVISION NOTES		PROJECT LAST MODIFIED: 9/17/2020	
USER data 1:		DRAWING BY: Timo Välimäki		VERIFIED DATE: 9/4/2020		REVISION NOTES: REVISION NOTES		BOOK rev. 4	
USER data 1:		DRAWING BY: Timo Välimäki		VERIFIED DATE: 9/15/2020		REVISION NOTES: REVISION NOTES		Page id 10	
USER data 1:		DRAWING BY: Timo Välimäki		VERIFIED DATE: 9/15/2020		REVISION NOTES: REVISION NOTES		See the changes on the cover page	

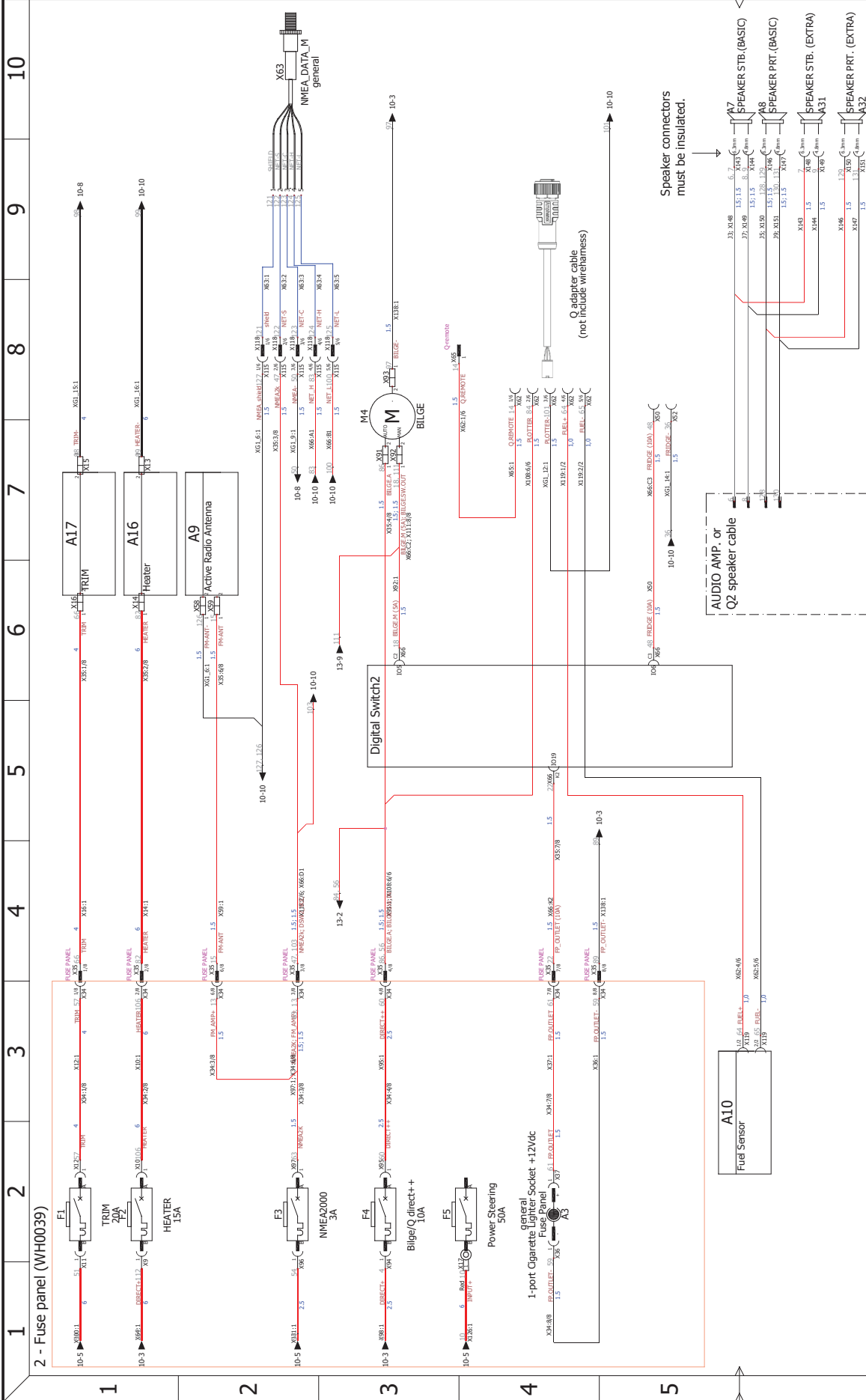


1	2	3	4	5	6	7	8	9	10	
<p>BOOK NAME: 72BR</p> <p>SHEET NAME: Lights/USB</p> <p>FILENAME: 8764.ewg</p> <p>SHEET: 4/23</p>										
3	9/7/2020	Timo Välimäki	9/15/2020	Timo Välimäki	See the changes on the cover page					Sheet rev. 3
1	9/4/2020	Timo Välimäki	9/4/2020	Timo Välimäki						Book rev. 4
0	4/26/2019	Timo Välimäki	12/11/2019	Timo Välimäki						Page id 12
REV	CREATED/DATE	DRAWING BY	VERIFIED DATE	VERIFIED BY	REVISION NOTES					PROJECT LAST MODIFIED 9/17/2020
User data 1:										





PROJECT: Cross 72BR		SHEET: 5/23		REVISION NOTES		PROJECT LAST MODIFIED	
FILENAME: 8765.cwg		User data 1:		DRAWING BY: Tino Välimäki		9/17/2020	
BOOK NAME: 72BR		9/15/2020		9/15/2020		Timo Välimäki	
SHEET NAME: Wipers/extra/switch		9/15/2020		9/15/2020		Timo Välimäki	
		9/4/2020		9/4/2020		Timo Välimäki	
		4/26/2019		12/11/2019		Timo Välimäki	
Sheet rev. 3		9/15/2020		9/15/2020		Timo Välimäki	
Book rev. 4		9/4/2020		9/4/2020		Timo Välimäki	
Page Id 13		4/26/2019		12/11/2019		Timo Välimäki	

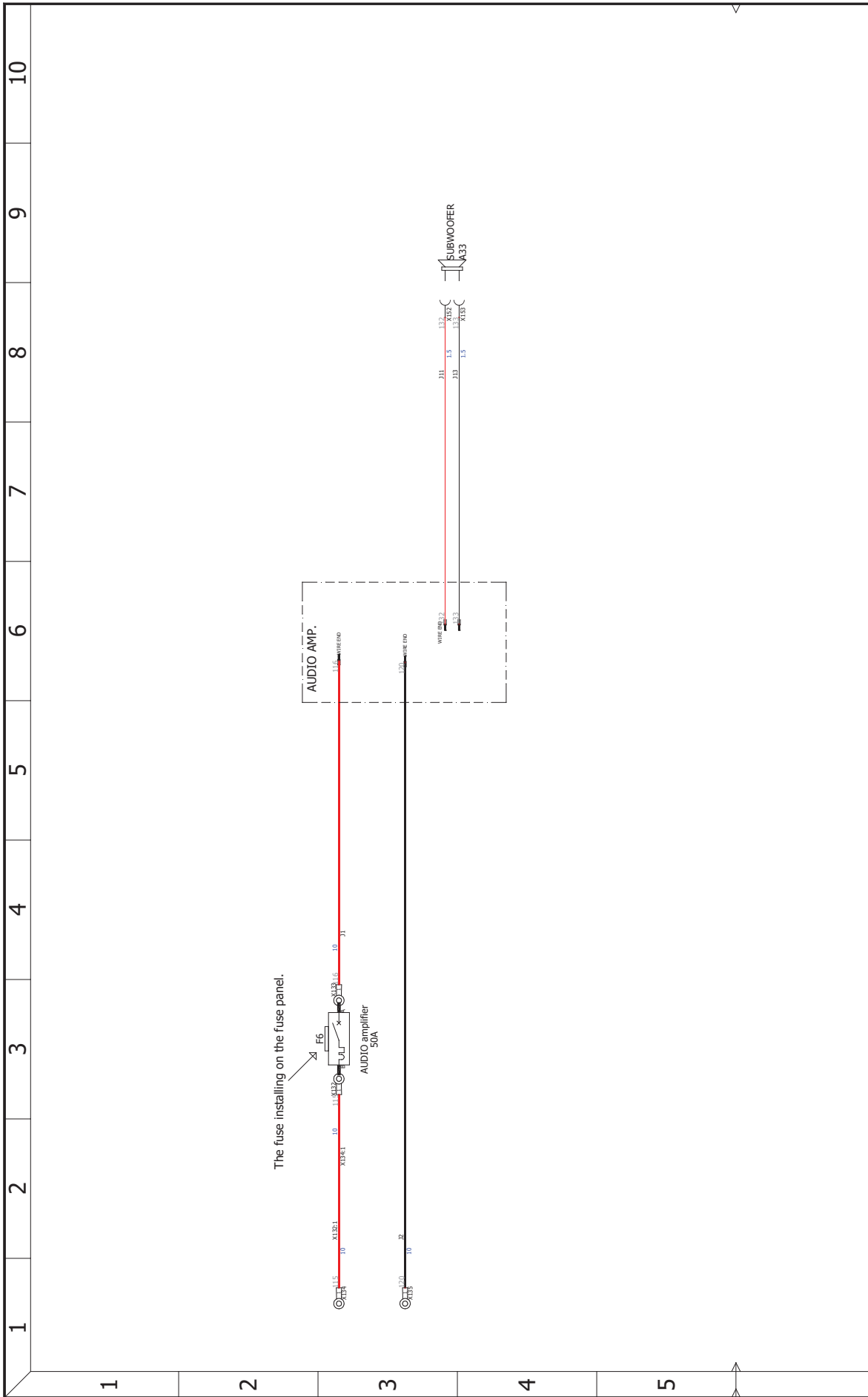


Speaker connectors must be insulated.

Q adapter cable (not include wireless)

AUDIO AMP. or Q2 speaker cable

PROJECT: CROSS 72BR		SHEET: 6/23		FILENAME: 8766.ewg		REVISION NOTES		PROJECT LAST MODIFIED 9/17/2020	
BOOK NAME: 72BR		SHEET NAME: Plotter/Bilge		FILENAME: 8766.ewg		REVISION NOTES		PROJECT LAST MODIFIED 9/17/2020	
SHEET NAME: Plotter/Bilge		FILENAME: 8766.ewg		REVISION NOTES		REVISION NOTES		PROJECT LAST MODIFIED 9/17/2020	
REV. 0		4/26/2019		Timo Välimäki		12/11/2019		4	
REV. 1		9/4/2020		Timo Välimäki		9/4/2020		4	
REV. 2		9/17/2020		Timo Välimäki		9/17/2020		4	
REV. 3		9/17/2020		Timo Välimäki		9/17/2020		4	
REV. 4		9/17/2020		Timo Välimäki		9/17/2020		4	



BOOK NAME: 72BR		9/15/2020	Timo Välimäki	9/15/2020	Timo Välimäki	Sheet rev. 3
SHEET NAME: Audio EXTRA (OPT)		4/15/2020	Timo Välimäki	4/15/2020	Timo Välimäki	Book rev. 4
FILENAME: 12771.swg		9/4/2020	Timo Välimäki	9/4/2020	Timo Välimäki	Page id 15
PROJECT: Cross 72BR		0	Timo Välimäki	9/4/2020	Timo Välimäki	
SHEET: 7/23		REV	CREATED DATE	DRAWING BY	VERIFIED DATE	VERIFIED BY
User data 1:		REVISION NOTES				
		PROJECT LAST MODIFIED 9/17/2020				

